

**GREATER TZANEEN MUNICIPALITY**



**SUPPLY CHAIN MANAGEMENT UNIT**

BID DESCRIPTION: REBUILDING OF LINES AND RELATED EQUIPMENT (RE-ADVERT)

BID NO: SCMU 29/2020

BID AMOUNT: .....  
..... VAT incl.

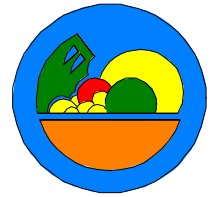
NAME OF THE BIDDER: .....  
.....

CLOSING DATE: 25 MARCH 2021 @ 12H00

<b>TABLE OF CONTENTS</b>		<b>PAGE NO</b>
<b>PART A</b>	<b>BID NOTICE</b>	<b>3</b>
<b>PART B1</b>	<b>FORM OF BID</b>	<b>5</b>
<b>PART B2</b>	<b>BIDDING INFORMATION</b>	<b>7</b>
<b>PART C</b>	<b>GENERAL UNDERTAKING BY THE BIDDER</b>	<b>8</b>
<b>PART D</b>	<b>GENERAL CONDITIONS OF CONTRACT</b>	<b>12</b>
<b>PART E</b>	<b>GENERAL PROCEDURES</b>	<b>26</b>
<b>PART F</b>	<b>BID SPECIFICATION</b>	<b>33</b>
<b>PART G</b>	<b>INFORMATION FOR BID EVALUATION</b>	<b>36</b>
<b>PART H</b>	<b>MBD 2: TAX INFORMATION REQUIREMENTS</b>	<b>39</b>
<b>PART I</b>	<b>MBD 4: DECLARATION OF INTEREST</b>	<b>40</b>
<b>PART J</b>	<b>MBD 6.1: PREFERENCE CLAIM FORM</b>	<b>42</b>
<b>PART K</b>	<b>MBD 6.2: DECLARATION FOR LOCAL CONTENT</b>	<b>48</b>
<b>PART L</b>	<b>MBD 7.2: CONTRACT FORM-RENDERING OF SERVICE</b>	<b>52</b>
<b>PART M</b>	<b>MBD 8: SCM PRACTICES</b>	<b>54</b>
<b>PART N</b>	<b>MBD 9: CERTIFICATE OF INDEPENDENT BID DETERMINATION</b>	<b>56</b>
<b>PART O</b>	<b>CHECKLIST OF RETUNABLE DOCUMENTS</b>	<b>59</b>



**PART A: MBD1**  
**GREATER TZANEEN MUNICIPALITY**  
**GROTER TZANEEN MUNISIPALITEIT**  
**MASIPALA WA TZANEEN**  
**MASEPALA WA TZANEEN**



---

**SUPPLY CHAIN MANAGEMENT UNIT**  
**DEPARTMENT: ELECTRICAL ENGINEERING SERVICES**

**BID DESCRIPTION: REBUILDING OF LINES AND RELATED EQUIPMENT**

**BID NO: SCMU 29/2020**

Bids are hereby invited from interested service provider with CIDB grading of 6 EP or higher for the rebuilding of lines and related equipment. No bid document will be sold at the municipality. Bid documents are obtainable on e-tender website only: [www.etenders.gov.za](http://www.etenders.gov.za).

**Interested bidders must attach proof of the following documents to avoid disqualification:**

CSD report (not older than 3 months), certified copies of ID's for all directors of the company, statement of municipal rates and taxes for both company and directors appearing in the CK (not older than 3 months)/ letter from traditional authority not older than 3 months for the company and the directors/ lease agreement (attach 3 months proof of payment for lease), proof of CIDB Grading; valid tax pin or tax clearance, certified or original B-BBEE certificate (combined BBEE certificate if Joint Venture), signed joint venture agreements in case of a joint venture companies, initial every page of the bid document.

**Bidders must sanitise/ wear gloves when preparing their bid document.** Completed bid documents with attachments (supporting documents) must be wrapped in a sealed envelope and be deposited into Greater Tzaneen Municipality bid box, Civic Centre, Agatha Street, marked as Bid No: **SCMU 29/2020**, **postal address and contact details of the bidder.**

**Bid document will be available only on [www.etenders.gov.za](http://www.etenders.gov.za) on the date of advert.**

Closing date: 25 March 2021 @ 12:00. Bidders must note that briefing session will not take place. Public bid opening will be held on the closing date at 12h00, Council Chambers.

**EVALUATION OF BIDS**

**N.B:** The evaluation of the bid will be conducted in two stages, First stage will be the assessment on functionality as follows: Relevant company experience - 40 points; Vehicles, Tools and Equipment - 30 points; Key personnel experience – 30 points. Only bidders that obtain 70 points will be subjected to 80/20 Preference point scoring system, where 80 points will be allocated for price only and 20 points will be allocated based on the Broad Based Black Economic Empowerment (B-BBEE) status level of contributors.

**Bidders shall take note of the following bid conditions:**

- a) Greater Tzaneen Municipality Supply Chain Management Policy will apply on this bid;
- b) Broad Based Black Economic Empowerment (B-BBEE) Act will apply on this bid;

- c) Greater Tzaneen Municipality does not bind itself to accept the lowest or any bid and reserves the right to accept the whole or part of the bid;
- d) Council reserves the right to negotiate further conditions with the successful bidder;
- e) Council reserves the right not to appoint;
- f) No bidder will be appointed if not registered on Central Supplier Database;
- g) Contract period of this bid is 36 months (3 years).
- h) Council have the right to appoint more than one bidder;
- i) Late, incomplete, unsigned, faxed or emailed bids will not be accepted.

**Technical enquiries should be directed to Mr. A. Laubscher @ 015 307 8167/ 083 3000 210**  
**Administrative enquiries must be directed to Ms. M. Mpyana @ 015 307 8251 / 0829247704**

---

Mr. B.S. Matlala  
Municipal Manager  
Greater Tzaneen Municipality

**PART B.1**  
**Form of bid**

**Bid for contract number: SCMU 29/2020**

I/We, the undersigned:

**Bid for an amount ..... % (vat inclusive) and;**

- a) Bid to supply and deliver to the Greater Tzaneen Municipality all or any of the supplies of goods described in both Specification and Scheduled of this Contract;
- b) Agree that we will be bound by the specifications, prices, terms and conditions stipulated in those Schedules attached to this bid document, regarding delivery and execution;
- c) Further agree to be bound by those conditions, set out should this bid be accepted in whole or in part.
- d) Confirm that this bid may only be accepted by the Greater Tzaneen Municipality by way of a duly authorized Letter of Acceptance; and,
- e) Declare that we are fully acquainted with the Preferential Procurement Forms and Schedules, and the contents thereof and that we have signed the Schedule of Prices – PART “F” and completed the Preference Points claim Forms attached in Part I, J, K, L and M; N; O”
- f) Declare that, the relevant authorised person thereto will initial each page of the bid document and amendment.
- g) Declare that all information provided in respect of the bidder as well as the bid documents submitted are true and correct.
- h) Declare that documentary proof regarding aspects of the bid process or accidental thereto will, when required, be submitted to the satisfaction of the Municipality.

Signed at .....this ..... Day of .....20.....

\_\_\_\_\_  
**Signature**

**Name of Firm:** \_\_\_\_\_

**Address:** \_\_\_\_\_  
\_\_\_\_\_

**As Witness:**

1. Name \_\_\_\_\_ Date \_\_\_/\_\_\_/\_\_\_\_\_ Signature: \_\_\_\_\_

2. Name \_\_\_\_\_ Date \_\_\_/\_\_\_/\_\_\_\_\_ Signature: \_\_\_\_\_

**State in cases where the bidder is a Company, Corporation of Firm by what authority the person signing**

**does so, whether by Articles of Association, Resolution, Power of Attorney or otherwise.**

I/We the undersigned am/are authorized to enter into this contract on behalf of:

\_\_\_\_\_

By virtue of \_\_\_\_\_

Dated \_\_\_\_\_ a certified copy of which is attached to this bid.

Signature of authorized person: \_\_\_\_\_

Name of Firm: \_\_\_\_\_

Postal Address: \_\_\_\_\_

\_\_\_\_\_

As witness:

1. Name: \_\_\_\_\_ Date \_\_\_/\_\_\_/\_\_\_ Signature: \_\_\_\_\_

2. Name: \_\_\_\_\_ Date \_\_\_/\_\_\_/\_\_\_ Signature: \_\_\_\_\_

Please Note: The prices at which bids are prepared to supply the goods and materials or perform the services must be placed in the column on the form provided for that purpose.

**Failure to sign the form of bid and initialling each page of the bid document will result in disqualification of the bidder.**

Bidders must sign this Form of Bid as well as PART "F," attached to this bid document and on acceptance of a bid by the Greater Tzaneen Municipality the Conditions of Contracts, Special Conditions, Specifications and Scheduled of prices, attached hereto shall be deemed to be the conditions of Contract between the parties. Failure to complete all blank spaces in the forms and to attend to the other details mentioned herein will render the bid liable to rejection.

**Bank account details of Bidder:**

**Bank:** \_\_\_\_\_

**Branch:** \_\_\_\_\_

**Branch Code:** \_\_\_\_\_

**Account Number:** \_\_\_\_\_

**Type of Account:** \_\_\_\_\_

**Proof that municipal account is paid in full to be attached (arrangements made with council will be taken into consideration).**

**Part B. 2**  
**Bidding Information**

Details of person responsible for bidding process

Name: \_\_\_\_\_

Contact number: \_\_\_\_\_

Address of office submitting bid: \_\_\_\_\_  
\_\_\_\_\_  
\_\_\_\_\_

Telephone: \_\_\_\_\_

Fax no: \_\_\_\_\_

E-mail address: \_\_\_\_\_

**Authority for signatory**

Signatories for close corporation and companies shall confirm their authority by attaching to this form a duly signed and dated copy of the relevant resolution of their members or their board of directors, as the case may be.

An example for a company is shown below:

“By resolution of the board of director(s) passed on \_\_\_\_/\_\_\_\_/20\_\_\_\_

Mr/ Mrs. \_\_\_\_\_

Has been duly authorized to sign all documents in connection with the bid for

Contract \_\_\_\_\_ **No** \_\_\_\_\_

And any contract, which may arise there from on behalf of

---

Signed on behalf of the company: \_\_\_\_\_

In his capacity as: \_\_\_\_\_ **Date:** \_\_\_\_/\_\_\_\_/\_\_\_\_

Signature of signatory

As witness:

1. **Name** \_\_\_\_\_ **Date** \_\_\_\_/\_\_\_\_/\_\_\_\_ **Signature:** \_\_\_\_\_

2. **Name** \_\_\_\_\_ **Date** \_\_\_\_/\_\_\_\_/\_\_\_\_ **Signature:** \_\_\_\_\_

## **Part C**

### **General undertakings by the bidder**

#### **1.1 Definitions**

- 1.1.1 **“Acceptable bid”** means any bid, which in all respects, complies with conditions of bid and specifications as set out in the bid document, including conditions as specified in the Preferential Procurement Policy Framework Act (Act 5 of 2000) and related regulations.
- 1.1.2 **“Chairperson”** means the chairperson of the Greater Tzaneen Municipality Bid Adjudication Committee.
- 1.1.3 **“Municipal Manager”** means the Accounting Officer or Municipal Manager of the Municipality.
- 1.1.4 **“Committee”** refers to the Bid Adjudication Committee.
- 1.1.5 **“Council”** refers to Greater Tzaneen Municipality.
- 1.1.6 **“Equity Ownership”** refers to the percentage ownership and control, exercised by individuals within an enterprise.
- 1.1.7 **“HDI equity ownership”** refers to the percentage of an enterprise, which is owned by individuals, or in the case of a company, the percentage shares that are owned by individuals meeting the requirements of the definition of a HDI.
- 1.1.8 **“Member”** means a member of the Bid Adjudication Committee.
- 1.1.9 **“Historically Disadvantaged Individual (HDI)”** means a South African citizen-
- (i) Who, due to the apartheid policy that had been in place, had no franchise in national elections prior to the introduction of the 1983 and 1993 Constitutions; and/or
  - (ii) Who is a female; and/ or
  - (iii) Who has a disability?
- 1.1.10 **Service providers”** refers to the bidders who have been successful in being awarded Council contracts.
- 1.1.11 **SMMEs”** (Small, medium and Micro Enterprises) refers to separate and distinct business entities, including co- operative enterprises and NGOs, managed by one owner or more, as defined in the National Small Business (Act 102 of 1996).
- 1.1.12 **Contract”** refers to legally binding agreement between Greater Tzaneen Municipality and the service provider.
- 1.1.13 **“Bid”** means a written offer in a prescribed or stipulated form in response to an invitation by the



Municipality for the provision of services or goods.

- 1.1.14 **“Contractor”** means any natural or legal person whose bid has been accepted by the Council.
- 1.1.15 **“Closing time”** means the date and hour specified in the bid documents for the receipt of bids.
- 1.1.16 **“Order”** means an official written order issued for the supply of goods or the rendering of a service in accordance with the accepted bid or price quotation.
- 1.1.17 **“Written” or “in writing,”** means hand written in ink or any form of mechanical writing in printed form.
- 1.1.18 **“Functionality”** means technical capability, financial and other resource availability that the service provider needs, to successfully and efficiently render the service and/or deliver in accordance with the specifications.

## **1.2 INTERPRETATION:**

- 1.2.1 In this agreement clause headings are for convenience and shall not be used in its interpretation and, unless the context clearly indicates a contrary intention: -
- 1.2.2 An expression which denotes: -
- 1.2.3 Any reference to any statute, regulation or other legislation or official policy shall be a reference to that statute, regulation or other legislation or national policy as at the signature date, and as amended or re-enacted from time to time.;
- 1.2.4 When any number of day is prescribed, such shall be reckoned exclusively of the first and inclusively of the last day, unless the last day falls on a day which is not a business day, in which case the last day shall be the next succeeding day which is a business day;
- 1.2.5 Where any term is defined within a particular clause, other than the interpretation clause, that term shall bear the meaning ascribed to it in that clause wherever it is used in this agreement.

## **1.3 I/we hereby Bid:**

- 1.3.1 To supply all or any of the supplies and/or to render all or any of the services described in the attached documents {Forms, Schedule(s) and/or Annexure(s) to the Greater Tzaneen Municipality.
- 1.3.2 On the terms and conditions and accordance with the specifications stipulated in the bid documents (and which shall be taken as part of and incorporated into, this bid);
- 1.3.3 At the prices and on the terms regarding time for delivery and/or execution inserted therein.

2.1 I/we agree further that:

The offer herein shall remain binding upon me/us and open for acceptance by the Greater Tzaneen Municipality during the validity period indicated and calculated from the closing time of the bid. This bid and its acceptance shall be subject to the terms and conditions contained in the Forms, Scheduled(s) and/or Annexure(s) attached hereto with which I am /we are fully acquitted. notwithstanding anything to the contrary in the Form(s), Schedule(s) and /or Annexure(s) attached hereto:

- 2.1.1 if I/we withdraw my/our bid within the period for which I/we have agreed that the bid shall remain open for acceptance, or fail to fulfil the contract when called upon to do so, the Greater Tzaneen Municipality may, without prejudice to its other rights, agree to the withdrawal of my/our bid or cancel the contract that may have been entered into between me/us and the Municipality;
- 2.1.2 In such event, I/we will then pay to the Municipality any additional expenses incurred by the Municipality for having either to accept any less favourable bid or, if new bids have to be invited, the additional expenditure incurred by the invitation of new bids and by the subsequent acceptance of any less favourable bid;
- 2.1.3 The Municipality shall also have the right in these circumstances, to recover such additional expenditure by set-off against monies which may be due or become due to me/us under this or any other bid or contract or against any guarantee or deposit that may have been furnished by me/us or on my/our behalf for the due fulfilment of this or any other bid or contract;
- 2.1.4 Pending the ascertainment of the amount of such additional expenditure the Municipality may retain such monies, guarantee or deposit as security for any loss the Municipality may sustain, as determined hereunder, by reason of my/our default.
- 2.1.5 Any legal proceedings arising from this bid may in all respects be launched or instituted against me/us and if/we hereby undertake to satisfy fully any sentence or judgment which may be obtained against me/us as a result of such legal proceedings and I/we undertake to pay the Greater Tzaneen Municipality legal costs on an attorney and own client;
- 2.1.6 if my/our bid is accepted that acceptance may be communicated to me/us by letter or facsimiles and that proof of delivery of such acceptance to SA Post Office Ltd or the production of a document confirming that a fax has been sent, shall be treated as delivery to me/us. The law of the Republic of South Africa shall govern the contract created by the acceptance to this bid.
- 2.1.7 I/we have satisfied myself/ourselves as to the correctness and validity of this bid, that the price(s) and rate(s) quoted cover all the work/items(s) specified in the bid documents and that the price(s) and rate(s) cover all my/our obligations under a resulting contract and that I/we accept that any mistakes regarding price(s) and calculations will be at my/our risk

2.1.8 I/we accept full responsibility for the proper execution and conditions defaulting on me/us under this agreement as the principal(s) liable for the fulfilment of this contract. I/we declare that I/we have participation/no participation in the submission of any other bid for the supplies/services described in the attached documents.

If your answer here is yes, please state the names(s) of the other Bid(s) involved.....

**PART D: GENERAL CONDITIONS OF CONTRACT**  
**GENERAL CONDITIONS OF CONTRACT**  
**THE NATIONAL TREASURY**  
**REPUBLIC OF SOUTH AFRICA**

---

**Government Procurement: Greater Tzaneen Municipality**

**General Conditions of Contract July 2010**

The purpose of this document is to:

- (i) Draw special attention to certain general conditions applicable to government bids, contracts and orders;  
and
  - (ii) To ensure that clients be familiar with regard to the rights and obligations of all parties involved in doing business with government. In this document words in the singular also mean in the plural and vice versa and words in the masculine also mean in the feminine and neuter.
- The General Conditions of Contract will form part of all bid documents and may not be amended.
  - Special Conditions of Contract (SCC) relevant to a specific bid, should be compiled separately for every bid (if applicable) and will supplement the General Conditions of Contract. Whenever there is a conflict, the provisions in the SCC shall prevail.

## **TABLE OF CLAUSES**

1. Definitions
2. Application
3. General
4. Standards
5. Use of contract documents and information; inspection
6. Patent rights
7. Performance security
8. Inspections, tests and analysis
9. Packing
10. Delivery and documents
11. Insurance
12. Transportation
13. Incidental services
14. Spare parts
15. Warranty
16. Payment
17. Prices
18. Contract amendments
19. Assignment
20. Subcontracts
21. Delays in the supplier's performance
22. Penalties
23. Termination for default
24. Dumping and countervailing duties
25. Force Majeure
26. Termination for insolvency
27. Settlement of disputes
28. Limitation of liability
29. Governing language
30. Applicable law
31. Notices

- 32. Taxes and duties
- 33. National Industrial Participation Programme (NIPP)
- 34. Prohibition of restrictive practices

## **1. DEFINITIONS**

The following terms shall be interpreted as indicated:

- 1.1 “Closing time” means the date and hour specified in the bidding documents for the receipt of bids.
- 1.2 “Contract” means the written agreement entered into between the purchaser and the supplier, as recorded in the contract form signed by the parties, including all attachments and appendices thereto and all documents incorporated by reference therein.
- 1.3 “Contract price” means the price payable to the supplier under the contract for the full and proper performance of his contractual obligations.
- 1.4 “Corrupt practice” means the offering, giving, receiving, or soliciting of anything of value to influence the action of a public official in the procurement process or in contract execution.
- 1.5 "Countervailing duties" are imposed in cases where an enterprise abroad is subsidized by its government and encouraged to market its products internationally.
- 1.6 “Country of origin” means the place where the goods were mined, grown or produced or from which the services are supplied. Goods are produced when, through manufacturing, processing or substantial and major assembly of components, a commercially recognized new product results that is substantially different in basic characteristics or in purpose or utility from its components.
- 1.7 “Day” means calendar day.
- 1.8 “Delivery” means delivery in compliance of the conditions of the contract or order.
- 1.9 “Delivery ex stock” means immediate delivery directly from stock actually on hand.
- 1.10 “Delivery into consignees store or to his site” means delivered and unloaded in the specified store or depot or on the specified site in compliance with the conditions of the contract or order, the supplier bearing all risks and charges involved until the supplies are so delivered and a valid receipt is obtained.
- 1.11 "Dumping" occurs when a private enterprise abroad market its goods on own initiative in the RSA at lower prices than that of the country of origin and which have the potential to harm the local industries in the RSA.
- 1.12” Force majeure” means an event beyond the control of the supplier and not involving the supplier’s fault or negligence and not foreseeable. Such events may include, but is not restricted to, acts of the purchaser in its sovereign capacity, wars or revolutions, fires, floods, epidemics, quarantine restrictions and freight embargoes.
- 1.13 “Fraudulent practice” means a misrepresentation of facts in order to influence a procurement process or the execution of a contract to the detriment of any bidder, and includes collusive practice among bidders

(prior to or after bid submission) designed to establish bid prices at artificial non-competitive levels and to deprive the bidder of the benefits of free and open competition.

- 1.14 “GCC” means the General Conditions of Contract.
- 1.15 “Goods” means all of the equipment, machinery, and/or other materials that the supplier is required to supply to the purchaser under the contract.
- 1.16 “Imported content” means that portion of the bidding price represented by the cost of components, parts or materials which have been or are still to be imported (whether by the supplier or his subcontractors) and which costs are inclusive of the costs abroad, plus freight and other direct importation costs such as landing costs, dock dues, import duty, sales duty or other similar tax or duty at the South African place of entry as well as transportation and handling charges to the factory in the Republic where the supplies covered by the bid will be manufactured.
- 1.17 “Local content” means that portion of the bidding price which is not included in the imported content provided that local manufacture does take place.
- 1.18 “Manufacture” means the production of products in a factory using labour, materials, components and machinery and includes other related value-adding activities.
- 1.19 “Order” means an official written order issued for the supply of goods or works or the rendering of a service.
- 1.20 “Project site,” where applicable, means the place indicated in bidding documents.
- 1.21 “Purchaser” means the organization purchasing the goods.
- 1.22 “Republic” means the Republic of South Africa.
- 1.23 “SCC” means the Special Conditions of Contract.
- 1.24 “Services” means those functional services ancillary to the supply of the goods, such as transportation and any other incidental services, such as installation, commissioning, provision of technical assistance, training, catering, gardening, security, maintenance and other such obligations of the supplier covered under the contract.
- 1.25 “Written” or “in writing” means handwritten in ink or any form of electronic or mechanical writing.

## **2. APPLICATION**

- 2.1 These general conditions are applicable to all bids, contracts and orders including bids for functional and professional services, sales, hiring, letting and the granting or acquiring of rights, but excluding immovable property, unless otherwise indicated in the bidding documents.
- 2.2 Where applicable, special conditions of contract are also laid down to cover specific supplies, services or works.
- 2.3 Where such special conditions of contract are in conflict with these general conditions, the special conditions shall apply.

### **3. GENERAL**

- 3.1 Unless otherwise indicated in the bidding documents, the purchaser shall not be liable for any expense incurred in the preparation and submission of a bid. Where applicable a non-refundable fee for documents may be charged.
- 3.2 With certain exceptions, invitations to bid are only published in the Government Tender Bulletin. The Government Tender Bulletin may be obtained directly from the Government Printer, Private Bag X85, Pretoria 0001, or accessed electronically from [www.treasury.gov.za](http://www.treasury.gov.za)

### **4. STANDARDS**

- 4.1 The goods supplied shall conform to the standards mentioned in the bidding documents and specifications.

### **5. USE OF CONTRACT DOCUMENTS AND INFORMATION; INSPECTION.**

- 5.1 The supplier shall not, without the purchaser's prior written consent, disclose the contract, or any provision thereof, or any specification, plan, drawing, pattern, sample, or information furnished by or on behalf of the purchaser in connection therewith, to any person other than a person employed by the supplier in the performance of the contract. Disclosure to any such employed person shall be made in confidence and shall extend only as far as may be necessary for purposes of such performance.
- 5.2 The supplier shall not, without the purchaser's prior written consent, make use of any document or information mentioned in GCC clause
  - 5.2.1 Except for purposes of performing the contract.
- 5.3 Any document, other than the contract itself mentioned in GCC clause
  - 5.3.1 Shall remain the property of the purchaser and shall be returned (all copies) to the purchaser on completion of the supplier's performance under the contract if so required by the purchaser.
- 5.4 The supplier shall permit the purchaser to inspect the supplier's records relating to the performance of the supplier and to have them audited by auditors appointed by the purchaser, if so required by the purchaser.

### **6. PATENT RIGHTS**

- 6.1 The supplier shall indemnify the purchaser against all third-party claims of infringement of patent, trademark, or industrial design rights arising from use of the goods or any part thereof by the purchaser.

### **7. PERFORMANCE SECURITY**

- 7.1 Within thirty (30) days of receipt of the notification of contract award, the successful bidder shall furnish to the purchaser the performance security of the amount specified in SCC.
- 7.2 The proceeds of the performance security shall be payable to the purchaser as compensation for any loss resulting from the supplier's failure to complete his obligations under the contract.
- 7.3 The performance security shall be denominated in the currency of the contract or in a freely convertible currency acceptable to the purchaser and shall be in one of the following forms:



- (a) A bank guarantee or an irrevocable letter of credit issued by a reputable bank located in the purchaser's country or abroad, acceptable to the purchaser, in the form provided in the bidding documents or another form acceptable to the purchaser; or
  - (b) A cashier's or certified cheque
- 7.4 The performance security will be discharged by the purchaser and returned to the supplier not later than thirty (30) days following the date of completion of the supplier's performance obligations

## **8. INSPECTIONS, TESTS AND ANALYSES**

- 8.1 All pre-bidding testing will be for the account of the bidder.
- 8.2 If it is a bid condition that supplies to be produced or services to be rendered should at any stage during production or execution or on completion be subject to inspection, the premises of the bidder or contractor shall be open, at all reasonable hours, for inspection by a representative of the Department or an organization acting on behalf of the Department.
- 8.3 If there are no inspection requirements indicated in the bidding documents and no mention is made in the contract, but during the contract period it is decided that inspections shall be carried out, the purchaser shall itself make the necessary arrangements, including payment arrangements with the testing authority concerned.
- 8.4 If the inspections, tests and analyses referred to in clauses 8.2 and 8.3 show the supplies to be in accordance with the contract requirements, the cost of the inspections, tests and analyses shall be defrayed by the purchaser.
- 8.5 Where the supplies or services referred to in clauses 8.2 and 8.3 do not comply with the contract requirements, irrespective of whether such supplies or services are accepted or not, the cost in connection with these inspections, tests or analyses shall be defrayed by the supplier.
- 8.6 Supplies and services which are referred to in clauses 8.2 and 8.3 and which do not comply with the contract requirements may be rejected.
- 8.7 Any contract supplies may on or after delivery be inspected, tested or analyzed and may be rejected if found not to comply with the requirements of the contract. Such rejected supplies shall be held at the cost and risk of the supplier who shall, when called upon, remove them immediately at his own cost and forthwith substitute them with supplies which do comply with the requirements of the contract. Failing such removal the rejected supplies shall be returned at the suppliers cost and risk. Should the supplier fail to provide the substitute supplies forthwith, the purchaser may, without giving the supplier further opportunity to substitute the rejected supplies, purchase such supplies as may be necessary at the expense of the supplier.
- 8.8 The provisions of clauses 8.4 to 8.7 shall not prejudice the right of the purchaser to cancel the contract on account of a breach of the conditions thereof, or to act in terms of Clause 23 of GCC.

## **9. PACKING**

- 9.1 The supplier shall provide such packing of the goods as is required to prevent their damage or deterioration during transit to their final destination, as indicated in the contract. The packing shall be sufficient to withstand, without limitation, rough handling during transit and exposure to extreme temperatures, salt and precipitation during transit, and open storage. Packing, case size and weights shall take into consideration, where appropriate, the remoteness of the goods' final destination and the absence of heavy handling facilities at all points in transit.
- 9.2 The packing, marking, and documentation within and outside the packages shall comply strictly with such special requirements as shall be expressly provided for in the contract, including additional requirements, if any, specified in SCC, and in any subsequent instructions ordered by the purchaser.

## **10. DELIVERY AND DOCUMENTS**

- 10.1 Delivery of the goods shall be made by the supplier in accordance with the terms specified in the contract. The details of shipping and/or other documents to be furnished by the supplier are specified in SCC.
- 10.2 Documents to be submitted by the supplier are specified in SCC.

## **11. INSURANCE**

- 11.1 The goods supplied under the contract shall be fully insured in a freely convertible currency against loss or damage incidental to manufacture or acquisition, transportation, storage and delivery in the manner specified in the SCC.

## **12. TRANSPORTATION**

- 12.1 Should a price other than an all-inclusive delivered price be required, this shall be specified in the SCC.

## **13. INCIDENTAL SERVICES**

- 13.1 The supplier may be required to provide any or all of the following services, including additional services, if any, specified in SCC:
- (a) Performance or supervision of on-site assembly and/or commissioning of the supplied goods;
  - (b) Furnishing of tools required for assembly and/or maintenance of the supplied goods;
  - (c) Furnishing of a detailed operations and maintenance manual for each appropriate unit of the supplied goods;
  - (d) Performance or supervision or maintenance and/or repair of the supplied goods, for a period of time agreed by the parties, provided that this service shall not relieve the supplier of any warranty obligations under this contract; and

- (e) Training of the purchaser's personnel, at the supplier's plant and/or on-site, in assembly, start-up, operation, maintenance, and/or repair of the supplied goods.
- 13.2 Prices charged by the supplier for incidental services, if not included in the contract price for the goods, shall be agreed upon in advance by the parties and shall not exceed the prevailing rates charged to other parties by the supplier for similar services.

#### **14. SPARE PARTS**

- 14.1 As specified in SCC, the supplier may be required to provide any or all of the following materials, notifications, and information pertaining to spare parts manufactured or distributed by the supplier:
- (a) such spare parts as the purchaser may elect to purchase from the supplier, provided that this election shall not relieve the supplier of any warranty obligations under the contract; and
  - (b) In the event of termination of production of the spare parts:
    - (i) Advance notification to the purchaser of the pending termination, in sufficient time to permit the purchaser to procure needed requirements; and
    - (ii) Following such termination, furnishing at no cost to the purchaser, the blueprints, drawings, and specifications of the spare parts, if requested.

#### **15. WARRANTY**

- 15.1 The supplier warrants that the goods supplied under the contract are new, unused, of the most recent or current models and those they incorporate all recent improvements in design and materials unless provided otherwise in the contract. The supplier further warrants that all goods supplied under this contract shall have no defect, arising from design, materials, or workmanship (except when the design and/or material is required by the purchaser's specifications) or from any act or omission of the supplier, that may develop under normal use of the supplied goods in the conditions prevailing in the country of final destination.
- 15.2 This warranty shall remain valid for twelve (12) months after the goods, or any portion thereof as the case may be, have been delivered to and accepted at the final destination indicated in the contract, or for eighteen (18) months after the date of shipment from the port or place of loading in the source country, whichever period concludes earlier, unless specified otherwise in SCC.
- 15.3 The purchaser shall promptly notify the supplier in writing of any claims arising under this warranty.
- 15.4 Upon receipt of such notice, the supplier shall, within the period specified in SCC and with all reasonable speed, repair or replace the defective goods or parts thereof, without costs to the purchaser.
- 15.5 If the supplier, having been notified, fails to remedy the defect(s) within the period specified in SCC, the purchaser may proceed to take such remedial action as may be necessary, at the supplier's risk and

expense and without prejudice to any other rights which the purchaser may have against the supplier under the contract.

## **16. PAYMENT**

- 16.1 The method and conditions of payment to be made to the supplier under this contract shall be specified in SCC.
- 16.2 The supplier shall furnish the purchaser with an invoice accompanied by a copy of the delivery note and upon fulfilment of other obligations stipulated in the contract.
- 16.3 Payments shall be made promptly by the purchaser, but in no case later than thirty (30) days after submission of an invoice or claim by the supplier.
- 16.4 Payment will be made in Rand unless otherwise stipulated in SCC.

## **17. PRICES**

- 17.1 Prices charged by the supplier for goods delivered and services performed under the contract shall not vary from the prices quoted by the supplier in his bid, with the exception of any price adjustments authorized in SCC or in the purchaser's request for bid validity extension, as the case may be.

## **18. CONTRACT AMENDMENTS**

- 18.1 No variation in or modification of the terms of the contract shall be made except by written amendment signed by the parties concerned.

## **19. ASSIGNMENT**

- 19.1 The supplier shall not assign, in whole or in part, its obligations to perform under the contract, except with the purchaser's prior written consent.

## **20. SUBCONTRACTS**

- 20.1 The supplier shall notify the purchaser in writing of all subcontracts awarded under these contracts if not already specified in the bid. Such notification, in the original bid or later, shall not relieve the supplier from any liability or obligation under the contract.

## **21. DELAYS IN THE SUPPLIER'S PERFORMANCE**

- 21.1 Delivery of the goods and performance of services shall be made by the supplier in accordance with the time schedule prescribed by the purchaser in the contract.
- 21.2 If at any time during performance of the contract, the supplier or its subcontractor(s) should encounter conditions impeding timely delivery of the goods and performance of services, the supplier shall promptly

notify the purchaser in writing of the fact of the delay, its likely duration and its cause(s). As soon as practicable after receipt of the supplier's notice, the purchaser shall evaluate the situation and may at his discretion extend the supplier's time for performance, with or without the imposition of penalties, in which case the extension shall be ratified by the parties by amendment of contract.

- 21.3 No provision in a contract shall be deemed to prohibit the obtaining of supplies or services from a national department, provincial department, or a local authority.
- 21.4 The right is reserved to procure outside of the contract small quantities or to have minor essential services executed if an emergency arises, the supplier's point of supply is not situated at or near the place where the supplies are required, or the supplier's services are not readily available.
- 21.5 Except as provided under GCC Clause 25, a delay by the supplier in the performance of its delivery obligations shall render the supplier liable to the imposition of penalties, pursuant to GCC Clause 22, unless an extension of time is agreed upon pursuant to GCC Clause
- 21.2 Without the application of penalties.
- 21.6 Upon any delay beyond the delivery period in the case of a supplies contract, the purchaser shall, without cancelling the contract, be entitled to purchase supplies of a similar quality and up to the same quantity in substitution of the goods not supplied in conformity with the contract and to return any goods delivered later at the supplier's expense and risk, or to cancel the contract and buy such goods as may be required to complete the contract and without prejudice to his other rights, be entitled to claim damages from the supplier.

## **22. PENALTIES**

- 22.1 Subject to GCC Clause 25, if the supplier fails to deliver any or all of the goods or to perform the services within the period(s) specified in the contract, the purchaser shall, without prejudice to its other remedies under the contract, deduct from the contract price, as a penalty, a sum calculated on the delivered price of the delayed goods or unperformed services using the current prime interest rate calculated for each day of the delay until actual delivery or performance. The purchaser may also consider termination of the contract pursuant to GCC Clause 23.

## **23. TERMINATION FOR DEFAULT**

- 23.1 The purchaser, without prejudice to any other remedy for breach of contract, by written notice of default sent to the supplier, may terminate this contract in whole or in part:
  - (a) If the supplier fails to deliver any or all of the goods within the period(s) specified in the contract, or within any extension thereof granted by the purchaser pursuant to GCC Clause 21.2;
  - (b) If the Supplier fails to perform any other obligation(s) under the contract; or

- (c) If the supplier, in the judgment of the purchaser, has engaged in corrupt or fraudulent practices in competing for or in executing the contract.
- 23.2 In the event the purchaser terminates the contract in whole or in part, the purchaser may procure, upon such terms and in such manner as it deems appropriate, goods, works or services similar to those undelivered, and the supplier shall be liable to the purchaser for any excess costs for such similar goods, works or services. However, the supplier shall continue performance of the contract to the extent not terminated.
- 23.3 Where the purchaser terminates the contract in whole or in part, the purchaser may decide to impose a restriction penalty on the supplier by prohibiting such supplier from doing business with the public sector for a period not exceeding 10 years.
- 23.4 If a purchaser intends imposing a restriction on a supplier or any person associated with the supplier, the supplier will be allowed a time period of not more than fourteen (14) days to provide reasons why the envisaged restriction should not be imposed. Should the supplier fail to respond within the stipulated fourteen (14) days the purchaser may regard the intended penalty as not objected against and may impose it on the supplier?
- 23.5 Any restriction imposed on any person by the Accounting Officer /Authority will, at the discretion of the Accounting Officer / Authority, also be applicable to any other enterprise or any partner, manager, director or other person who wholly or partly exercises or exercised or may exercise control over the enterprise of the first-mentioned person, and with which enterprise or person the first-mentioned person, is or was in the opinion of the Accounting Officer / Authority actively associated.
- 23.6 If a restriction is imposed, the purchaser must, within five (5) working days of such imposition, furnish the National Treasury, with the following information:
- (i) The name and address of the supplier and / or person restricted by the purchaser;
  - (ii) The date of commencement of the restriction
  - (iii) The period of restriction; and
  - (iv) The reasons for the restriction. These details will be loaded in the National Treasury's central database of suppliers or persons prohibited from doing business with the public sector.
- 23.7 If a court of law convicts a person of an offence as contemplated in sections 12 or 13 of the Prevention and Combating of Corrupt Activities Act, No. 12 of 2004, the court may also rule that such person's name be endorsed on the Register for Tender Defaulters. When a person's name has been endorsed on the Register, the person will be prohibited from doing business with the public sector for a period not less than five years and not more than 10 years. The National Treasury is empowered to determine the period

of restriction and each case will be dealt with on its own merits. According to section 32 of the Act the Register must be open to the public. The Register can be perused on the National Treasury website.

## **24. ANTI-DUMPING AND COUNTERVAILING DUTIES AND RIGHTS**

24.1 When, after the date of bid, provisional payments are required, or antidumping or countervailing duties are imposed, or the amount of a provisional payment or anti-dumping or countervailing right is increased in respect of any dumped or subsidized import, the State is not liable for any amount so required or imposed, or for the amount of any such increase. When, after the said date, such a provisional payment is no longer required or any such anti-dumping or countervailing right is abolished, or where the amount of such provisional payment or any such right is reduced, any such favourable difference shall on demand be paid forthwith by the contractor to the State or the State may deduct such amounts from moneys (if any) which may otherwise be due to the contractor in regard to supplies or services which he delivered or rendered, or is to deliver or render in terms of the contract or any other contract or any other amount which may be due to him

## **25. FORCE MAJEURE**

25.1 Notwithstanding the provisions of GCC Clauses 22 and 23, the supplier shall not be liable for forfeiture of its performance security, damages, or termination for default if and to the extent that his delay in performance or other failure to perform his obligations under the contract is the result of an event of force majeure.

25.2 If a force majeure situation arises, the supplier shall promptly notify the purchaser in writing of such condition and the cause thereof. Unless otherwise directed by the purchaser in writing, the supplier shall continue to perform its obligations under the contract as far as is reasonably practical, and shall seek all reasonable alternative means for performance not prevented by the force majeure event.

## **26. TERMINATION FOR INSOLVENCY**

26.1 The purchaser may at any time terminate the contract by giving written notice to the supplier if the supplier becomes bankrupt or otherwise insolvent. In this event, termination will be without compensation to the supplier, provided that such termination will not prejudice or affect any right of action or remedy which has accrued or will accrue thereafter to the purchaser.

## **27. SETTLEMENT OF DISPUTES**

27.1 If any dispute or difference of any kind whatsoever arises between the purchaser and the supplier in connection with or arising out of the contract, the parties shall make every effort to resolve amicably such dispute or difference by mutual consultation.

27.2 If, after thirty (30) days, the parties have failed to resolve their dispute or difference by such mutual consultation, then either the purchaser or the supplier may give notice to the other party of his intention to commence with mediation. No mediation in respect of this matter may be commenced unless such notice is given to the other party.

27.3 Should it not be possible to settle a dispute by means of mediation, it may be settled in a South African court of law.

27.4 Mediation proceedings shall be conducted in accordance with the rules of procedure specified in the SCC.

27.5 Notwithstanding any reference to mediation and/or court proceedings herein,

- (a) the parties shall continue to perform their respective obligations under the contract unless they otherwise agree; and
- (b) The purchaser shall pay the supplier any monies due the supplier.

## **28. LIMITATION OF LIABILITY**

28.1 Except in cases of criminal negligence or wilful misconduct, and in the case of infringement pursuant to Clause 6;

- (a) the supplier shall not be liable to the purchaser, whether in contract, tort, or otherwise, for any indirect or consequential loss or damage, loss of use, loss of production, or loss of profits or interest costs, provided that this exclusion shall not apply to any obligation of the supplier to pay penalties and/or damages to the purchaser; and
- (b) The aggregate liability of the supplier to the purchaser, whether under the contract, in tort or otherwise, shall not exceed the total contract price, provided that this limitation shall not apply to the cost of repairing or replacing defective equipment.

## **29. GOVERNING LANGUAGE**

29.1 The contract shall be written in English. All correspondence and other documents pertaining to the contract that is exchanged by the parties shall also be written in English.

## **30. APPLICABLE LAW**

30.1 The contract shall be interpreted in accordance with South African laws, unless otherwise specified in SCC.

## **31. NOTICES**

31.1 Every written acceptance of a bid shall be posted to the supplier concerned by registered or certified mail and any other notice to him shall be posted by ordinary mail to the address furnished in his bid or to the



address notified later by him in writing and such posting shall be deemed to be proper service of such notice

31.2 The time mentioned in the contract documents for performing any act after such aforesaid notice has been given, shall be reckoned from the date of posting of such notice.

### **32. TAXES AND DUTIES**

32.1 A foreign supplier shall be entirely responsible for all taxes, stamp duties, license fees, and other such levies imposed outside the purchaser's country.

32.2 A local supplier shall be entirely responsible for all taxes, duties, license fees, etc., incurred until delivery of the contracted goods to the purchaser.

32.3 No contract shall be concluded with any bidder whose tax matters are not in order. Prior to the award of a bid the Department must be in possession of a tax clearance certificate, submitted by the bidder. This certificate must be an original issued by the South African Revenue Services.

### **33. NATIONAL INDUSTRIAL PARTICIPATION (NIP) PROGRAMME**

33.1 The NIP Programme administered by the Department of Trade and Industry shall be applicable to all contracts that are subject to the NIP obligation.

### **34 PROHIBITION OF RESTRICTIVE PRACTICES**

34.1 In terms of section 4 (1) (b) (iii) of the Competition Act No. 89 of 1998, as amended, an agreement between, or concerted practice by, firms, or a decision by an association of firms, is prohibited if it is between parties in a horizontal relationship and if a bidder (s) is / are or a contractor(s) was / were involved in collusive bidding (or bid rigging).

34.2 If a bidder(s) or contractor(s), based on reasonable grounds or evidence obtained by the purchaser, has / have engaged in the restrictive practice referred to above, the purchaser may refer the matter to the Competition Commission for investigation and possible imposition of administrative penalties as contemplated in the Competition Act No. 89 of 1998.

## **PART E**

### **GENERAL PROCEDURES**

#### **1. General Directives**

1. The following general procedures contained in this document have been laid down by the Council and are applicable to all bids, orders and contracts, unless otherwise approved by the Council prior to the invitation of the bids.
2. Where applicable, special conditions or procedures are also laid down by the Council to cover specific supplies or services.
3. Where such special conditions or procedures are in conflict with the general conditions and procedures, the special conditions or procedures shall apply.
4. The bidder shall satisfy himself/herself with the conditions and circumstances of the bid. By bidding, the bidder shall deem to have satisfied himself/herself as to all the conditions and circumstances of the bid.
5. Formal contract are concluded with the contractors only where this requirement is stated in the bid invitation.
6. All bids with regard to the bidding of a service e.g. materials, cleaning services; professional services, etc. shall be subject to the negotiation of a Service Level agreement between the successful contractor and the Municipality. The acceptance of this Service Level Agreement is subject to the approval by the Council of the Municipality.
7. The written acceptance of bid shall be posted to the bidder or contractor concerned by registered or certified mail.

#### **2. Process for competitive bidding**

Following are procedures for a competitive bidding process for each of the following stages:

##### **2.1 Compilation of bidding documentation**

- (a) Take into account –
- The general conditions of contract;
  - Any Treasury guidelines on bid documentation; and
  - The requirement of the Construction Industry Development Board, in the case of a bid relating to construction, Replacement or refurbishment of buildings or infrastructure.
- (b) Include evaluation and adjudication criteria, including any criteria required by other applicable legislation.

- (c) Compel bidders to declare any conflict of interest they may have in the transaction for which the bid is submitted as MBD 4
- (d) Require the bidders to furnish the following if the value of the transaction is expected to exceed R10 million (VAT included):
- If the bidder is required by law to prepare annual financial statements for auditing, their audited annual financial statement –
    - \* For the past three years; or
    - \* Since their establishment if establishment during the past three years
  - A certificate signed by the bidder certifying that the bidder has no undisputed commitments for municipal services towards a municipality or other service provider in respect of which payments is overdue for more than 30 days
  - Particulars of any contracts awarded to the bidder by an organ of state during the past five years, including particulars of any material non-compliance or dispute concerning the execution of such contract
  - A statement indicating whether any portion of the goods or services are expected to be sourced from outside the Republic, and, if so, what portion and whether any portion of payment from the municipality is expected to be transferred out of the Republic
- (e) Stipulate that disputes must be settled by means of mutual consultation, mediation (with or without legal representation), or, when unsuccessful, in a South African court of law.

## **2.2 Issuing of bid documents**

On the date that the advertisement appears in the Municipality's Bid Bulletin, and or media, prospective bidders may request copies of the bid documentation.

The Supply Chain Unit will keep a register and potential bidders should sign for receipt of the bid documentation. If a fee is payable, an official receipt must be issued before the bid document is handed to the bidder.

No bid responses from any Bidder should be accepted if sent via the Internet, e-mail or fax.

Only the Supply Chain Management Unit will have direct communication between the potential bidders and will facilitate all communication between potential bidders and the Municipality with regard to any advertised bid.

No line function staff should be allowed to communicate with potential bidders without the approval by the Chief Financial Officer: Supply Chain Management Unit.

The Supply Chain Management Unit will only consider request for the extension of the closing dates of advertised bid if the postponed date can be advertised in the media used to advertise before the original closing date. The closing time may be postponed only if all potential bidders can be advised of the postponed time, in writing, before the original closing time. The decision to extend the closing date or time rests with the Chief Financial Officer: Supply Chain Management Unit, who must ensure compliance with all relevant rules and regulations and must confirm prior to the action being taken.

#### **2.4 Public Invitation for competitive bids**

The following are procedures for the invitation of competitive bids:

(i) Invitation to prospective providers to submit bids must be by means of a public advertisement in newspapers commonly circulating locally, the website of the municipality or any other appropriate ways (which may include an advertisement in the Government Bid Bulletin) and

(ii) Public advertisement must contain the following:

The closure date for the submission of bids, which may not be less than 30 days in the case of transactions over R10 million (Vat included), or which are of a long term nature, or 14 days in any other case, from the date on which the advertisement is placed in a newspaper; subject to (iii) below; and

(iii) Accounting officer may determine a closure date for the submission of bids which is less than the 30 or 14 days' requirement, but only if such shorter period can be justified on the grounds of urgency or emergency or any exceptional case where it is impractical or impossible to follow the official procurement process

(iv) Bids submitted must be sealed.

(v) The following information must appear in any advertisement:

- \* Bid number,
- \* Description of the requirements
- \* Closing date and time;
- \* The name and telephone numbers of the contact person for any enquiries.

#### **2.5 Inspection on loco**

A fully explanatory site inspection will be conducted.

#### **2.6 Handling of bids submitted in response to public invitation**

(a) Closing of bids

All bids will close at **12H00** on a date as stipulated on the advertisement, which must be reflected in the bid document. Bids are late if they are received at the address indicated in the bid documents after the closing date and time. A late bid should not be admitted for consideration and where practical should be returned unopened to the bidder accompanied by an explanation.

(b) **Opening of bids**

Bids are opened in public as soon as possible after the closure in the presence of the Senior Supply Chain Officer: Supply Chain Management or his/her delegate. The official opening the bids should in each case read out the name of the bidder and the amount of the bid. The bid should be stamped with the official stamp of the Municipality and endorsed with the signatures of the person opening it and of the person in whose presence it was opened. Bids should be recorded in a register kept for that purpose.

**2.7 Validity of the bids**

The validity periods should not exceed 90 (ninety) days and is calculated from the date of bid closure endorsed on the front cover of the bid document. Should the validity period expire on a Saturday, Sunday or Public holiday, the bid must remain valid and open for acceptance until the closure on the following working date.

**2.8 Consideration of bids**

The Council takes all bids duly admitted into consideration.

- The Council reserves the right to accept the lowest or any bid received
- The decision by the Municipality regarding the awarding of a contract must be final and binding

**2.9 Evaluation of bids**

The following are criteria against which all bids responses will be evaluated:

i) **Compliance with bid conditions**

- ❖ Bid submitted on time
- ❖ Bid forms signed and each page initialled
- ❖ All essential information provided
- ❖ Certified ID copies
- ❖ Proof of work experience (attach CV)
- ❖ Original or certified copy of B-BBEE Certificate
- ❖ Submission of an original Tax Clearance Certificate, MBD 2
- ❖ Submission of Company Registration Certificate
- ❖ Submission of a Joint Venture Agreement, properly signed by all parties

❖ **Payment of Municipal Rates**

- (ii) Meeting technical specifications and comply with bid conditions;
- (iii) The number of points scored for achieving Government's Broad-Based Black Economic Empowerment objectives, points scored for price and / or points scored for functionality if applicable.

**2.10 Evaluation of bids on functionality and price**

- (i) Greater Tzaneen Municipality must in the bid documents indicate if, in respect of a particular bid invitation that bids will be evaluated on functionality and price.
- (ii) The total combined points allowed for functionality and price may, in respect of bids with an estimated Rand value above R1, 000,000.00, not exceed 90 points.
- (iii) When evaluating bids contemplated in this item, the points for functionality must be calculated for each individual bidder
- (iv) The conditions of bid may stipulate that a bidder must score a specified minimum number of points for functionality to qualify for further adjudication.
- (v) The points for price, in respect of a bid which has scored the specified minimum number of points contemplated in sub-regulation (v) above, must, subject to the application of the evaluation system for functionality and price contemplated in this regulation, be established separately and be calculated in accordance with the provisions of regulations c and d.
- (vii) The number of points scored for achieving Government's Broad-Based Black Economic
- (vi) Empowerment Objectives must be calculated separately and must be added to the points
- (viii) Scored for functionality and price.
- (ix) Only bid with the highest number of points be selected.

**2.11 Acceptance of bids**

Successful bidders must be notified at least by registered post of the acceptance of their bids, but that acceptance however, will only take effect after completion of the prescribed contract form. Unsuccessful bids should not be returned to bidders, but should be placed on record for audit purposes. A register or records should be kept of all bids accepted

**2.12 Publication of bid information**

The particulars of the successful bidders should be published in the Municipality's Bid Bulletin as well as the website

**2.13 Cancellation and re-invitation of bids**

- (i) In the event that in the application of the 80/20 preference point system as stipulated in the bid documents, all bids received exceed the estimated Rand Value of R50 million, the bid invitation must be cancelled.
  - (ii) In the event that, in the application of the 90/10 preference point system as stipulated in the bid documents, all bids received are equal to or below R50 million, the bid must be cancelled.
  - (iii) In the event that the Municipality has cancelled a bid invitation as contemplated in sub regulations (i) and (ii) must re-invite bids and, must, in the bid documents stipulate the correct preference point system to be applied.
- (a) A bid may be cancelled before award if:
- ❖ Due to changed circumstances, there is no longer a need for the goods, works or services offered, or
  - ❖ Funds are no longer available to cover the total envisaged expenditure, or
  - ❖ No acceptable bids were received

## PART F



**GREATER TZANEEN MUNICIPALITY**  
**GROTER TZANEEN MUNISIPALITEIT**  
**MASIPALA WA TZANEEN**  
**MASEPALA TZANEEN**



### DETAIL TECHNICAL SPECIFICATION

#### SECTION 1

##### 1. GENERAL INFORMATION TO CONTRACTORS

This specification covers bush clearing where necessary, the delivery, erection and possible supply of 11 kV three and single phase as well as 33 kV three phase electrical distribution lines as described in paragraph 1.2 below.

##### 2. DETAIL DESCRIPTION OF WORKS

The work generally comprises of the following components:

Supply of material and erection of 11 kV three and single phase as well as 33 kV three phase wooden pole transmission lines with “Rabbit”, “Hare” or “Bear” ACSR conductor in the employer’s electrical distribution area, as it is allocated to the contractor by the employer.

##### 3. SITE (AS REQUIRED)

The Contractor will have to provide the following:

Sanitation on site for his own use

All telephone facilities

Water for the construction purposes

All the necessary housing facilities for his personnel

All the necessary storage facilities for equipment including security

Bidders must allow for all conditions on site in their tenders, since extra claims arising from difficult site conditions in respect of transport, handling, loading, of-loading, Labour, housing, etc., will not be entertained.

##### 4. SITE CONDITIONS

The Bidder must note the following aspects with regard to site conditions and shall include for these conditions in the relevant items in the bill of quantities.

- a. Line route preparation will be the responsibility of the contractor.
- b. Pegging of line routes and all structures (and decision on types of structures) shall be done by the contractor after consultation with the employer whereby a proposed drawing were approved.
- c. Access to site is partially by tarred road, dirt road and no road.



- d. No crane is available from the employer for off-loading.
- e. Ground conditions are reasonable on average
- f. Blasting might be required in certain areas, in exceptional cases.

## 5. TIME OF COMPLETION

A time of completion will be negotiated for each individual line. A retention amount of 5% of the contract sum of each individual line will be held for a period of 12 months. The successful BIDDER'S tender will be valid for a maximum of three calendar years or as decided by Council Resolution from the commencement date set by Council, subject to Contract Price Adjustment (According to SIEFSA tables), of the tender.

## 6. STANDARDS AND SPECIFICATIONS

All the materials and equipment supplied under this contract must be new and of the best quality available.

All materials must comply with the requirements of the latest editions of the relevant SANS, BS and IEE specifications.

## 7. LAWS AND REGULATIONS

The contractor will be responsible to ensure that the contract works comply in full with the requirements laid down by the latest editions of:

- a. The Occupational Health and Safety Act (85 of 1993)
- b. The Code of Practice of overhead power lines for conditions prevailing in South Africa (SAIEE)
- c. The Code of Practice for wiring of premises (SANS)

## 8. OPERATING REGULATIONS FOR HIGH VOLTAGE SYSTEMS

Successful bidders must be in possession of a current ORHVS certificate or obtain a renewal within three months after tender closing of which failure thereof will result in disqualification of the tender.

## 9. INFORMATION TO BE SUBMITTED WITH TENDERS

Bidders shall indicate in the Schedule of Compliance, whether their offers comply in every respect with this specification, or if not, precisely how they deviate from the specifications.

## 10. INTERCHANGEABILITY

All items of similar equipment supplied under this Contract must be identical and completely interchangeable.

## 11. COMMISSIONING

The contractor will only be responsible for the building of the line. The line will be commissioned by the Employer after inspection.

## 12. DESIGN AND STANDARDISATION

The contract works shall be designed to facilitate inspection, cleaning and repairs, and for operation where continuity of supply is the first consideration.

The lines shall be designed to ensure satisfactory operation under the atmospheric conditions prevailing at the site, and under such sudden variations of load and voltage as may be met under working conditions on the system, including those due to faulty synchronizing and short circuit.

The design shall incorporate every reasonable precaution and provision for the safety of all those concerned in the operation and maintenance of the contract works and of associated works supplied under other contracts.

### **All nuts and pins shall be locked in position.**

All lock nuts or washers shall be of approved type. All bolts, nuts and washers in contact with non-ferrous parts shall, unless otherwise approved, be of a material which will not cause electro-chemical action or corrode. Each bolt or stud shall project at least one thread through its nut.

The lines shall be designed to obviate the risk of accidental short circuit due to animals, birds or vermin. Preference shall be given to structures designed to minimize electrocution of birds.

## 13. PROTECTION OF NATURAL VEGETATION

The contractor shall exercise proper care not to destroy, damage or remove any natural trees and vegetation, except where he is instructed or given permission to do so in cases where it is unavoidable. No trucks or power plants shall be allowed to run over areas not specifically set aside for this purpose.

The contractor shall take care not to have veldt fires developing from his site. He shall be responsible for any losses and claims which could arise from veldt fires starting due to his negligence. In the case of any veldt fires threatening the site, he shall give all assistance to protect the site against such fires from elsewhere. The contractor shall at his own expense do all the protection as described and shall not be specially paid for any fencing or fire breaks, etc.

Cognizance must be taken of the various species of indigenous trees and bush that are protected by the LAW (Forest Act no. 122 of 1984). Where it is essential to cut indigenous trees and bush, the necessary permits as well as the owner's written consent must be obtained prior to the commencement of work.

## 14. PEGGING OF STRUCTURE POSITIONS

### **The contractor will peg out corner, intermediate and anchor structure positions after consultation with the employer.**

The contractor shall be responsible to ascertain the correctness of structure positions on site according to the drawings and shall, where so required, re-measure and determine positions in conjunction with the Employer.

The contractor shall be responsible for the ground clearing of two-meter radius around each peg. The rate for this clearing shall be allowed for in the tendered rates for the digging of holes.

#### 15. GENERAL DESIGN PARAMETERS FOR OVERHEAD LINES

The design details are shown on the drawings and described in the detailed specification. The layouts are given as guidance only, but shall be used as a basis for the tender. Any deviation shall be quoted as an alternative in the prescribed way and shall constitute definite savings.

**The dimensions given are for guidance only and Contractor's design can deviate provided it is pre-approved by the Employer.**

#### 16. GALVANIZING

The requirements of SABS 763 for hot-dip galvanizing shall be followed.

The galvanizing shall be applied to all parts by a hot-dip process to give a zinc coating of not less than 600 grams per square metre of surface. The zinc coating shall be smooth, clean, of uniform thickness and free from defects.

All drilling, punching, cutting or bending of parts shall be completed and all burrs removed before galvanizing.

No drilling, welding, etc., shall be done to any part which is already galvanized.

Contractors shall note that any galvanized part can be rejected on site if found to be below standard.

#### 17. BOLTS AND NUTS

All metal parts shall be secured by bolts and nuts of at least 20mm diameter.

The bolts and nuts shall be of steel with hexagonal heads. The bolts and nuts shall be galvanized. Screwed rods shall also be galvanized. When any end of a bolt or rod is cut on site, it shall be painted with a bitumastic for steel or other approved paint.

Galvanized washers shall be used and all bolts securing insulator strings shall be locked in an approved manner.

All bolts and nuts subject to any vibration of any kind shall be properly locked through the use of "lock tight" or similar approved material or method.

#### 18. DEFINITIONS

Shall mean ground that can be removed by hand tools and shall include loose ground, clay, made-up ground, loose or soft shale, loose outcrop and boulders less than 75mm in diameter.

PICKABLE GROUND Shall mean rock that can be loosened by hand pick or crowbar and include hard shale, compact outcrop, stone of similar hardness and boulders exceeding 75mm in diameter but not exceeding 0,03m<sup>3</sup> in volume.

Shall mean granite, quartzite sandstone, solid shale, slate and rock of similar or greater hardness and boulders exceeding 0,03m<sup>3</sup> volume.

## 19. SUSPENSION AND TENSION INSULATORS AND FITTINGS (22 KV AND 33 KV)

### Tension

The insulators shall be of the composite 22 kV or 33 kV type Elbroc, 70 KN 16 L CLEVIS / TONGUE drawing number 810502 and 810902 respectively or similar and acceptable to the employer.

### Suspension

Suspension insulators on intermediate structures shall be porcelain post 22 kV or 33 kV type insulators, similar to the EP 356-01 for 11 kV lines or EP 306, for 33 kV lines from Cullinan Electric, and acceptable to the employer.

## 20. CONNECTIONS

All conductors and fittings shall be designed to withstand maximum horizontal forces due to the wind and short circuit forces for the applicable fault level.

The Contractor shall provide all necessary terminals, clamps and other fittings for the connections to other apparatus. All fittings and joints shall be of approved design.

Where dissimilar metals are connected, approved means shall be provided to prevent electro-chemical action and corrosion. Joint surfaces of copper or copper alloy fittings shall be tinned.

The connections shall be so arranged and supported that in no circumstances, including short circuit conditions, can the clearances from earthed metal work or from other conductor be less than the distances specified in the detail specification and drawings.

All connection pieces, clamps, etc., shall be so designed that they do not require any maintenance after erection, but disconnection or taking down shall be uncomplicated. Details of all clamps and mechanical pieces shall be submitted with the tender.

The slack span conductor to be used on all out of line Transformer connections are 0.05 insulated aluminium conductor (Rabbit).

## 21. STAYS

All stays shall have an angle of 45° to the vertical.

Stay rods shall be planted to a vertical depth of 1.5 metres and the hole shall be of adequate size to allow the rod to enter at the correct angle. The bottom of the hole shall be undercut so that the base plate of the stay may be placed against the undisturbed portion of the ground. **Under no circumstances shall the stay rod be bent.**

The base plate shall be covered by large stones where after back-filling in easy stages with thorough compaction of each stage. Where necessary, the stay shall be concreted in with 1.3.6 concrete mix. Stay rods visibility above ground shall not be more than 150mm.

Stay wires shall be attached to poles by means of stay brackets or other approved means. The cross-arm shall not be used to prevent the stay from sliding down. When stay brackets are used an extra locknut must be applied. All stays shall be finished off to a standard acceptable to the employer. All stay tails shall be bonded to the stay rod.

## 22. ALUMINIUM STEEL CORED CONDUCTORS

Aluminium Conductor Steel Reinforced (ACSR) conductors. will comply with SABS 182 or BS 215.

The steel wires shall, during manufacture, be coated with a special neutral grease to give protection against corrosion and bimetallic acting between the galvanized steel and aluminium.

## 23. STRINGING OF CONDUCTORS

All conductors shall be spaced in an approved manner.

**Under no circumstances shall any conductor be unduly dragged along the ground.**

The conductors and earth wires shall be pulled-up and tensioned according to “Code of Practice for overhead power lines for condition prevailing in South Africa” issued by the SAIEE.

Twin conductors, if required, shall be strung simultaneously to ensure matched sags.

Conductors shall be strung to the appropriate sag determined from actual span length and the equivalent span of the strain section involved. Span lengths greater than 150m, must be equipped with vibration dampers and pistol grips.

The practice of pre-stressing before final sagging and tensioning shall be adhered to.

**As far as possible complete drum lengths of conductor wire will be used without cutting to reduce the number of joints.**

## 24. JOINTS, CONNECTIONS AND CLAMPS

All joints of conductors shall be made with compressed fittings only, but joints shall be limited to the absolute minimum. **No joints shall be made in long spans, spans crossing roads, railway lines or other overhead services.**

No joints will be permitted in any steel conductor unless specifically approved.

Where lines cross each other and connections are made by droppers, these vertical droppers shall be straight and shall be connected to the conductors of the two lines with **Aluminium Compression T connectors.** **At strain structures ferrules will not be on the main line but on the jumps. (See 5.73 DR 28)**

Samples of all fittings shall be submitted for approval.

## 25. ARMOUR RODS AND DEAD END GUY GRIPS

Armour rods or preformed bindings shall be installed on the conductors at each suspension clamp in accordance with the manufacturer’s instructions. All strain and anchor points shall be done with dead end guy grips.

## 26. WOODEN POLE STRUCTURES

The wooden poles shall be planted according to the depths as shown on the drawings and base plates, kicking blocks or baulks shall be provided as required to ensure a rigid structure. Back filling shall be of a proper material and compacted at 300mm intervals.

The different types of structures and their material lists can be found in section 5. Suitable care shall be taken that cross-arms are level and the poles shall be matched, care being taken with regard to paring poles with similar diameter, length and appearance.

All augured holes to be creosote treated. Cross arms on H-pole structures must always be installed on the opposite side from the longest span.

## 27. WOODEN POLES

### a. GENERAL

All wooden poles shall be eucalyptus poles and be top grade quality  
Poles shall comply with the requirements of SABS 754 – 1982 for eucalyptus poles. (Standard Specification for wooden power transmission poles and cross arms)

The retention of preservatives shall comply with the accepted standard.

All wooden poles shall be impregnated with a creosote mixture conforming to the requirements of SABS 1290 or BS 141.

The dimensions of wooden poles are specified in the schedule of equipment.

### b. POLE INSPECTION AND MARKING

All poles shall be subject to inspection in accordance with SABS 753-1982 or SABS 75401982 to ensure compliance with the specification. Each pole and cross arm shall bear a marked tag indicating such compliance.

Of importance is that all the appropriate labelling on the existing poles, such as pole numbers must be transferred to the new installation. Pole numbering rates must be included as part of the pole rates. Pole numbering, where applicable, shall be altered when additional structures are installed or structures being removed.

### c. POLE STRENGTH GROUP

Wooden poles are required to be of strength group to SABS 753-1982 or SABS 754-1982 to ensure compliance with the specification. Each pole and cross arm shall bear a marked tag indicating such compliance.

### d. BANDING

The top and butt ends of all poles and cross arms shall be securely bound with steel wire. Banded or gang nailed poles will **not** be accepted.

### e. MOISTURE CONTENT AND IMPREGNATION

Unless otherwise approved, the average moisture content of poles at the time of treatment shall not exceed 250g/kg.

Impregnation shall be carried out by either of the following methods:

#### a. Hot/Cold open tank process

- b. Full cell pressure process and
- c. Empty cell pressure process.

32. TENDER DRAWINGS

Bidders shall submit, with their tenders, typical drawings of the equipment and structures offered, where any difference exist with the drawings issued.

33. INSTALLATION

The workmanship of the installation shall be of a high standard throughout and to the satisfaction of the Employer.

The structures shall be installed according to modern practice and shall be properly aligned and plumb.

34. PRIVATE LINES

The workmanship on private lines in the Greater Tzaneen Municipality area shall be of the same standard and to specifications specified in this document.

35. ACCESS TO FARMS

Contractors working in the rural areas must be visible at all times for security reasons and may only enter the property of land owners with his knowledge. Finer detail of clothing and stickers on vehicles can be obtained from the electrical department.

36. POLE NUMBERING

Pole numbering will be according to the Employer’s specifications. All poles will be numbered on new lines and where lines are rebuilt the numbering will be restored.

**SECTION 2**

**THE BILL OF QUANTITIES CONSISTS OF THE FOLLOWING:**

<b>Description</b>	<b>Page</b>
2.1.1 Conditions of bill of quantities	41
2.1.2 H-Pole intermediate structure material list: 33 kV, 3 phase, DR 1 42	
2.1.3 Drawing DR 1	43
2.1.4 H-Pole strain structure material list: 33 kV, 3 phase, DR 2	44
2.1.5 Drawing DR 2	45
2.1.6 H-Pole corner strain structure material list: 33 kV, 3 phase, DR 3 46	
2.1.7 Drawing DR 3	47
2.1.8 H-Pole turn structure material list: 33 kV, 3 phase, DR 4	48
2.1.9 Drawing DR 4	49
2.1.10 Transport and Labour cost of H-pole structures, 33 kV, 3 phase, DR 1-4 50	
2.1.11 H-Pole strain structure material list: 11 kV, 3 phase, DR 5	51
2.1.12 Drawing DR 5	52
2.1.13 H-Pole strain structure material list: 11 kV, 1 phase, DR 6	53

2.1.14	Drawing DR 6	54	
2.1.15	H-Pole turn structure material list: 11 kV, 3 phase, DR 7		55
2.1.16	Drawing DR 7	56	
2.1.17	Transport of H-pole structures: 11 kV, 3 phase and 1 phase, DR 5-7		
	57		
2.1.18	Material list for one road crossing: 33 kV, 3 phase, DR 8		58
2.1.19	Drawing DR 8	59	
2.1.20	Transport and Labour cost for the erection of a road crossing, 33 kV, 3 phase		
	60		
2.1.21	Material list for one road crossing: 11 kV, 3 phase, DR 9		61
2.1.22	Drawing DR 9	62	
2.1.23	Transport and Labour cost for the erection of a road crossing, 11 kV, 3 phase.		
	63		
2.1.24	Single pole intermediate structure material list: 33 kV, 3 phase, DR 10		
	64		
2.1.25	Drawing DR 10	65	
	-37-		
2.1.26	Single pole strain structure material list: 33 kV, 3 phase, DR 11		
	66		
2.1.27	Drawing DR 11	67	
2.1.28	Single pole corner strain structure material list: 33 kV, 3 phase, DR 12		
	68		
2.1.29	Drawing DR 12	69	
2.1.30	Single pole turn structure material list: 33 kV, 3 phase, DR 13		70
2.1.31	Drawing DR 13	71	
2.1.32	Transport and Labour cost for single pole structure: 33 kV, 3 Phase, DR 10-13		
	72		
2.1.33	Single pole intermediate structure material list: 11 kV, 3 phase, DR 14		
	73		
2.1.34	Drawing DR 14	74	
2.1.35	Single pole strain structure material list: 11 kV, 3 phase, DR 15		
	75		
2.1.36	Drawing DR 15	76	
2.1.37	Single pole corner strain structure material list: 11 kV, 3 phase, DR 16		
	77		
2.1.38	Drawing DR 16	78	
2.1.39	Single pole turn structure material list: 11 kV, 3 phase, DR 17		79
2.1.40	Drawing DR 17	80	
2.1.41	Transport and Labour cost for single pole structure: 11 kV, 3 phase, DR 14-17		
	81		
2.1.42	Single pole intermediate structure material list: 11 kV, 1 phase, DR 18		
	82		
2.1.43	Drawing DR 18	83	
2.1.44	Single pole strain structure material list: 11 kV, 1 phase, DR 19		
	84		
2.1.45	Drawing DR 19	85	
2.1.46	Single pole corner strain structure material list: 11 kV, 1 phase, DR 20		
	86		
2.1.47	Drawing DR 20	87	
2.1.48	Single pole corner strain structure material list: 11 kV, 1 phase, DR 21		
	88		



2.1.49	Drawing DR 21	89	
2.1.50	Transport and Labour cost for single pole structures: 11 kV, 1 phase, DR 18-21 90		
2.1.51	Material list for one complete stay: 11 kV, DR 22		91
2.1.52	Drawing DR 22	92	
2.1.53	Transport and Labour cost for the installation of one stay: 11 kV, DR 22 93		
2.1.54	Material list for one complete stay: 33 kV, DR 23		94
2.1.55	Drawing DR 23	95	
-38-			
2.1.56	Transport and Labour cost for the installation of one stay: 33 kV, DR 23 96		
2.1.57	Flying stay material list: DR 24		97
2.1.58	Drawing DR 24	98	
2.1.59	Transport and Labour cost for flying stay structure: 11 kV and 33 kV, DR 24 99		
2.1.60	Single pole turn structure with wooden pole strut: 33kV,3 phase, DR 25 100		
2.1.61	Drawing DR 25	101	
2.1.62	Transport and Labour cost for wooden strut for single pole structures, DR 25 102		
2.1.63	Transport and Labour cost for stringing of 3 phase 11 kV and 33 kV lines 103		
2.1.64	Transport and Labour cost for stringing of 1 phase 11 kV lines 104		
2.1.65	Transport and Labour cost for recovering of conductor on overhead power lines: 33 kV, 3 phase 105 to 106		
2.1.66	Conductor material list and Drawings DR 26 & DR 27		107
2.1.67	Transport and Labour cost for digging of holes in hard rock: 33 kV 108		
2.1.68	Transport and Labour cost for digging of holes in packable ground: 33 kV 109		
2.1.69	Transport and Labour cost for digging of holes in ground: 33 kV 110		
2.1.70	Transport and Labour cost for digging of holes in hard rock: 11 kV 111		
2.1.71	Transport and Labour cost for digging of holes in packable ground: 11 kV 112		
2.1.72	Transport and Labour cost for digging of holes in ground: 11 kV 113		
2.1.73	Transport and Labour cost for stringing of single earth conductor: 33 kV, 3 phase 114		
2.1.74	Single pole strain with fuse links 11kV 3 phase, DR 28		115
2.1.75	Drawing DR 28	116	
2.1.76	Single termination pole: 11 kV, 3 phase, DR 29 117		
2.1.77	Drawing DR 29	118	
2.1.78	Single termination pole: 11 kV, 1 phase, Drawing DR 30 119		
2.1.79	Drawing DR 30	120	

2.1.80 Auto Re-Closer Out of line with fuse links, 11kV 3 phase, DR 31 121		
2.1.81 Drawing DR 31	122	
2.1.82 Single phase T-off structure: 11 kV, DR 32		123
2.1.83 Drawing DR 32	124	
2.1.84 Three phase T-off structure with fuse links: 11 kV, 3 phase, DR 33 125		
2.1.85 Drawing DR 33	126	
2.1.86 Transformer Out of line Installation: 11kV, 3 phase, bigger than 100kVA, DR 33A 127		
2.1.87 Drawing DR 33A		128
2.1.88 Transformer Out of line Installation: 11kV, 3 phase, 25kVA up to 110kVA, DR 33B 129		
2.1.89 Drawing DR33B	130	
2.1.90 Transformer Out of line Installation: 11kV, 1 phase,16kVA, DR 33C 131		
2.1.91 Drawing DR 33C	132	
2.1.92 90° - Three pole structure with 2 x cross-arms and fuses: 11 kV, 3 phase, DR 34 133		
2.1.93 Drawing DR 34	134	
2.1.94 Three pole structure with 2 cross arms 11kV & 33kV strain structure, DR 35 135 to 136		
2.1.95 Drawing 35	137	
2.1.96 Transport & Labour cost for three-pole structures – 11 & 33 kV, 3 phase 138		
2.1.97 Transport & Labour cost for four-pole structures – 11 & 33 kV, 3 phase 139		
2.2 Summary for 2.2 and 2.3	140	
2.2 Removal and Replacement of connections		141
2.3 Emergency work rates	142	
2.4 New Connection installation rates		143
2.5 Installation of New Connections		144
2.6 Refurbishment of 33 and 11 kV Lines		145
2.7 11 kV Line Refurbishment	146 - 147	
2.8 33 kV Line Refurbishment	148 – 149	
2.9 Bush clearing	150	

## SECTION 2.1

### CONDITIONS OF BILL OF QUANTITIES

#### **BILL OF QUANTITIES FOR THE SUPPLY, DELIVERY, OFF-LOADING, ERECTION, TESTING AND HANDING OVER OF THE SERVICE AS SPECIFIED IN THIS DOCUMENT**

#### **ALL PRICES SHALL BE EXCLUSIVE OF VAT**

- a. This bill of quantities forms part of the contract document together with the drawings and are to be read in conjunction therewith. It shall be fully completed and returned upon tender closing date.
- b. A price or rate shall be entered against each item in the bill of quantities as requested.
- c. The quantities in this bill of quantities are to be regarded as approximate and not necessarily the actual quantities of work to be done.
- d. The unit rates entered into the bill of quantities shall include the cost of all smaller items of installation according to the requirements of the specification, which also **includes pole numbering** according to ESKOM standards. If any of the requirements of the specifications are not covered by items in the bill of quantities, the bidder shall allow for it in the appropriate items of the bills.
- e. The contractor must allow in the rates for all cutting and waste and transport thereof to the Municipal yard.
- f. No alteration or erasure may be made to the text of the bill of quantities. If such an alteration or erasure is made, it shall not be acknowledged and the original wording of the text shall apply.
- g. The unit rate entered shall be taken as the correct rate tendered for the execution of the work.
- h. General directions and descriptions of work and material given in the specification are not necessarily repeated in the bill of quantities. The contractor shall refer to the specification for this information.**
- i. The final contract sum for the completed contract shall be calculated from the actual measured material used and work done priced against the unit rate tendered for in various items in the bill of quantities.
- j. The rates supplied by the contractor will be populated into a model for affordability and evaluation purposes

#### 2.1.2

#### **H-POLE INTERMEDIATE STRUCTURE MATERIAL LIST: 33 KV SEE DR 1**

(EX-CLUDING STAYS AND CONDUCTOR)

<u>QUANTITY</u>	<u>SIZE</u>	<u>DESCRIPTION</u>
90	40mm	Staples
2	14m	Wooden poles, Top diameter of 180 – 200mm
1	4.5m	Wooden cross-arm, 150 – 180mm
2	20 x 450mm	Studs
5	20 x 225mm	Eye bolts

14	75 x 75mm	Square washers
3		33 kV insulators, Elbroc type or similar, as * approved
3		Tower hooks
3		Suspension clamps for "RABBIT" or "HARE" conductor
3		Armour rods
2	13,5m	Steel wire for earth on poles
2		Crosby clamps or PG clamps
<b>MATERIAL ADDED BY TENDERER</b>		

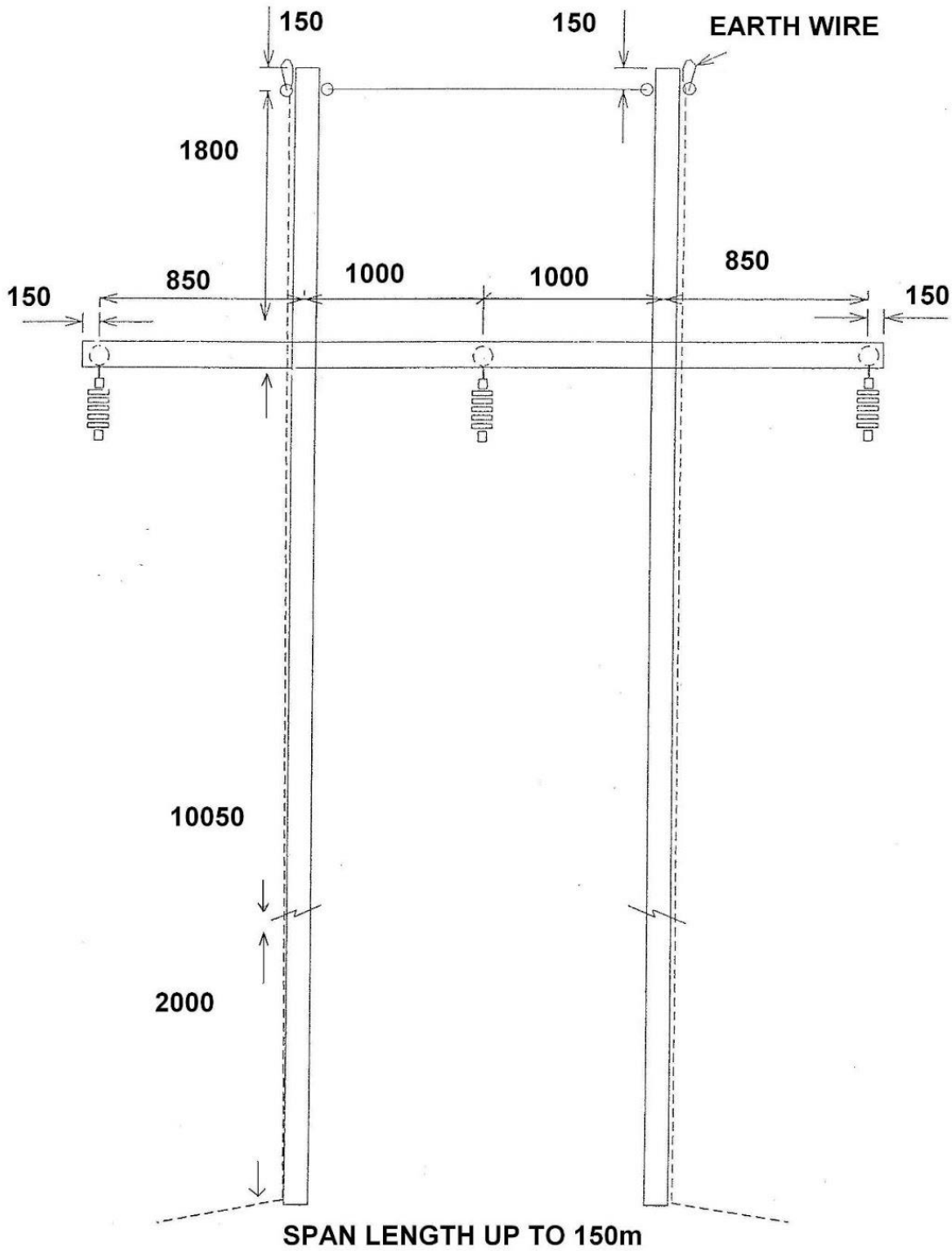
\* As approved by the employer

**TOTAL MATERIAL PRICE**

<b>POLE SIZE</b>	<b>HARE CONDUCTOR</b>	<b>RABBIT CONDUCTOR</b>
12m	R	R
14m	R	R

**2.1.3**

**33KV H-POLE INTERMEDIATE  
STRUCTURE  
DR 1**



**2.1.4**

**H-POLE STRAIN STRUCTURE MATERIAL LIST: 33 KV SEE DR 2**

(EX-CLUDING STAYS AND CONDUCTOR)

<u>QUANTITY</u>	<u>SIZE</u>	<u>DESCRIPTION</u>
90	40mm	Staples
2	14m	Wooden poles, Top diameter of 180 – 200mm
2	4.5m	Wooden cross-arm, 150 – 180mm
5	20 x 600mm	Studs
2	20 x 225mm	Eye bolts
8	20mm	Ring nuts
20	75 x 75mm	Square washers
6		33 kV insulators, ELBROC type or similar, as * approved
6		Tower hooks
6		Thimbles for “RABBIT” conductor
6		Vibration dampers on spans longer than 150m
6		Dead ends for “RABBIT” conductor
6		Pistol clamps when “HARE” conductor is used, long spans and road crossings
2	13.5m	Steel wire for earth on poles
2		Crosby clamps or PG clamps
<b>MATERIAL ADDED BY TENDERER</b>		

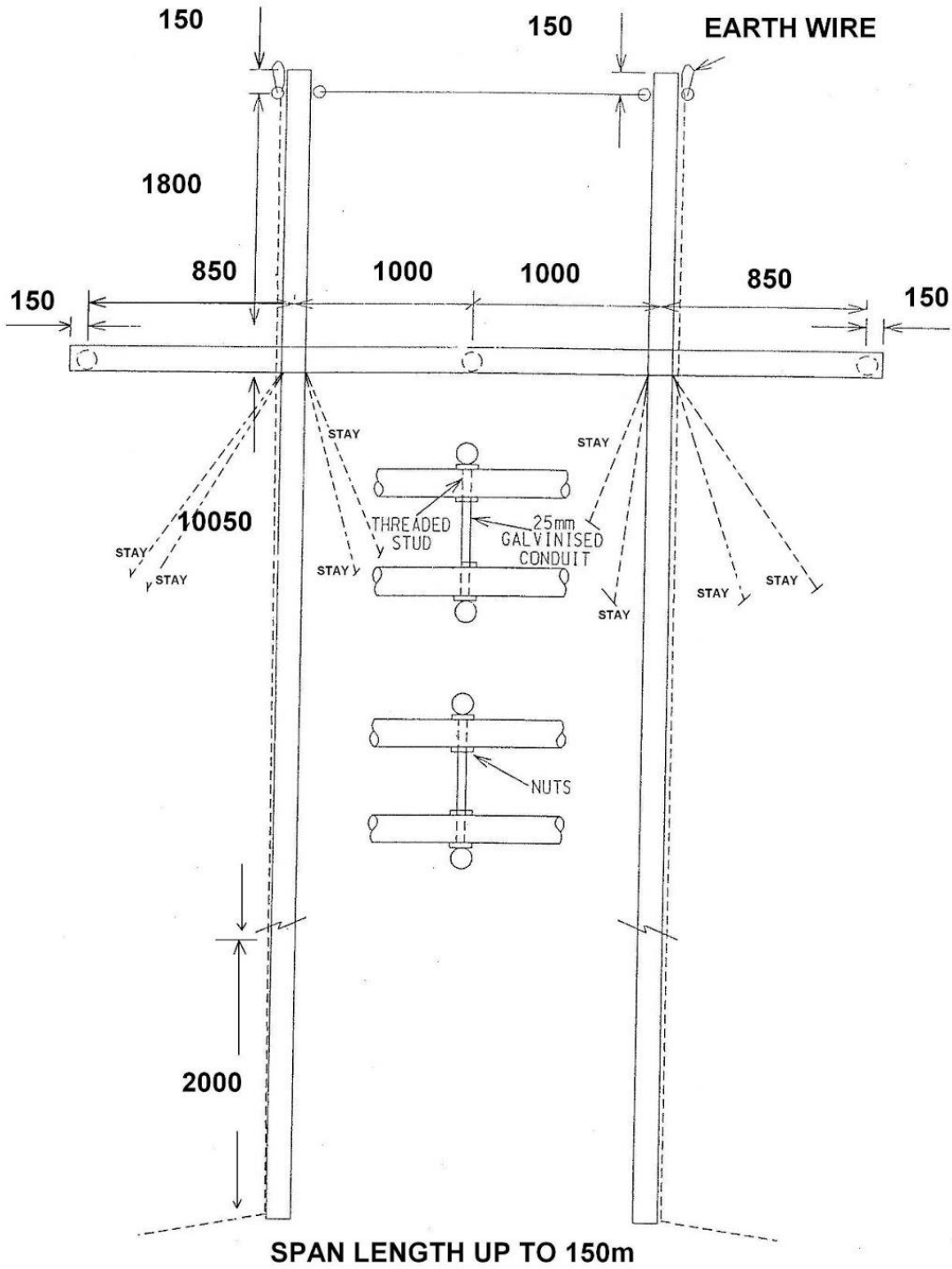
\* As approved by the employer

**TOTAL MATERIAL PRICE**

<b>POLE SIZE</b>	<b>HARE CONDUCTOR</b>	<b>RABBIT CONDUCTOR</b>
12m	R	R
14m	R	R

2.1.5

33KV H-POLE STRAIN  
STRUCTURE  
DR 2



2.1.6

**CORNER, H-POLE STRAIN STRUCTURE MATERIAL LIST: 33 KV SEE DR 3**

(EX-CLUDING STAYS AND CONDUCTOR)

<u>QUANTITY</u>	<u>SIZE</u>	<u>DESCRIPTION</u>
90	40mm	Staples
2	14m	Wooden poles, Top diameter of 180 – 200mm
2	4.5m	Wooden cross-arm, 150 – 180mm
5	20 x 600mm	Studs
2	20 x 225mm	Eye bolts
8	20mm	Ring nuts
20	75 x 75mm	Square washers
6		33 kV insulators, Elbroc or similar, as * approved
6		Tower hooks
6		Vibration dampers on spans longer than 150m
6		Thimbles for “RABBIT” conductor
6		Dead ends for “RABBIT” conductor
6		Pistol clamps when “HARE” conductor is used, on long spans and road crossings
2	13,5m	Steel wire for earth on poles
2	6mm	Crosby clamps or PG clamps
1	2m	Stay wire
2	10mm	Crosby clamps
<b>MATERIAL ADDED BY TENDERER</b>		

\* As approved by the employer

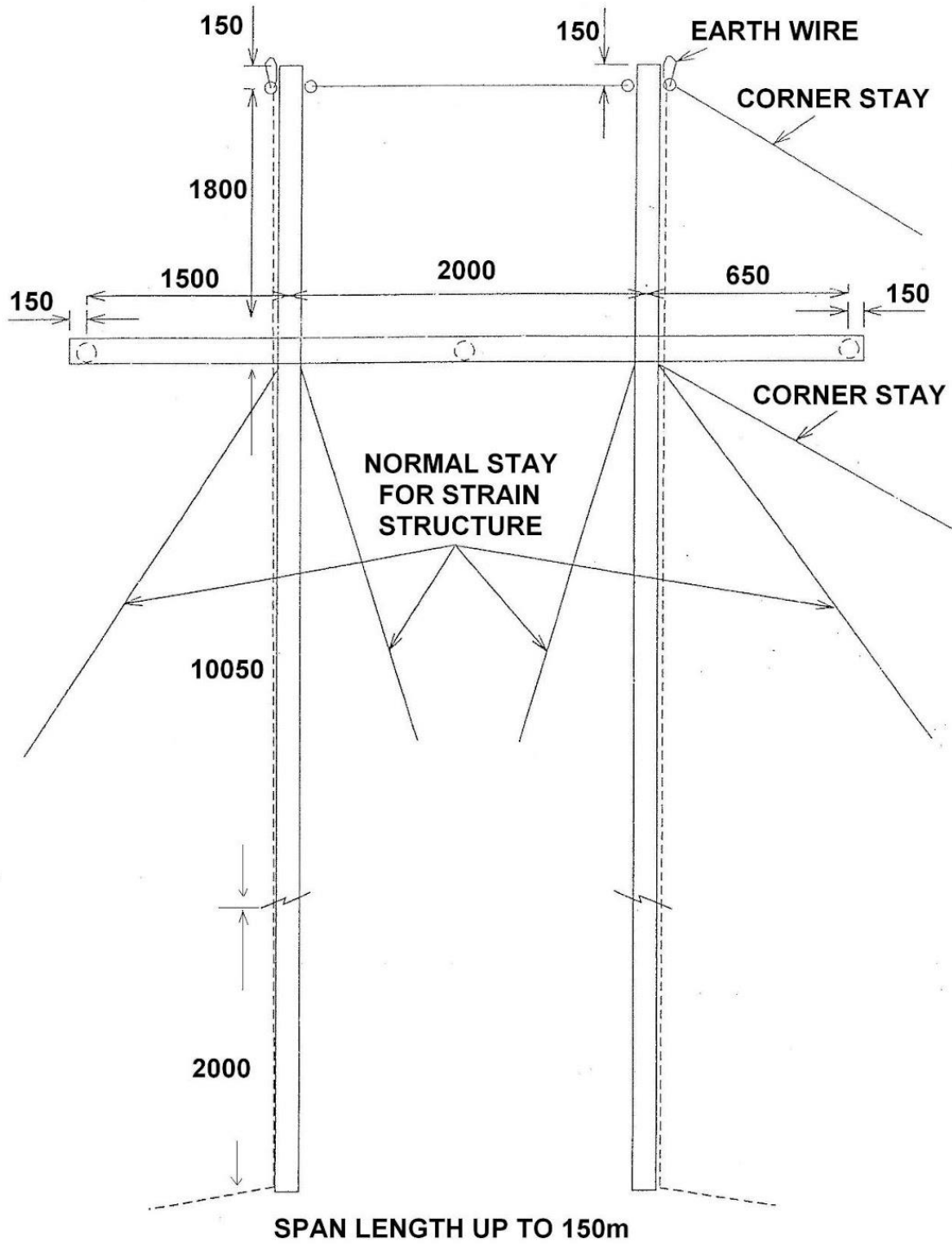
TOTAL MATERIAL PRICE

<b>POLE SIZE</b>	<b>HARE CONDUCTOR</b>	<b>RABBIT CONDUCTOR</b>
12m	R	R
14m	R	R



2.1.7

33KV CORNER H-POLE  
STRAIN STRUCTURE  
DR 3



**2.1.8**

**H-POLE TURN STRUCTURE MATERIAL LIST: 33 KV SEE DR 4**

(EX-CLUDING STAYS AND CONDUCTOR)

<u>QUANTITY</u>	<u>SIZE</u>	<u>DESCRIPTION</u>
90	40mm	Staples
2	14m	Wooden poles, Top diameter of 180 – 200mm
2	4.5m	Wooden cross-arm, 150 – 180mm
5	20 x 600mm	Studs
2	20 x 225mm	Eye bolts
8	20mm	Ring nuts
20	75 x 75mm	Square washers
6		33 kV insulators, Elbroc or similar, as * approved
6		Tower hooks
6		Thimbles for “RABBIT” conductor
6		Dead ends for “RABBIT” conductor
6		Vibration dampers on spans longer than 150m
6		Pistol clamps when “HARE” conductor is used, on long spans and road crossings
2	13,5m	Steel wire for earth on poles
2		PG clamps
<b>MATERIAL ADDED BY TENDERER</b>		

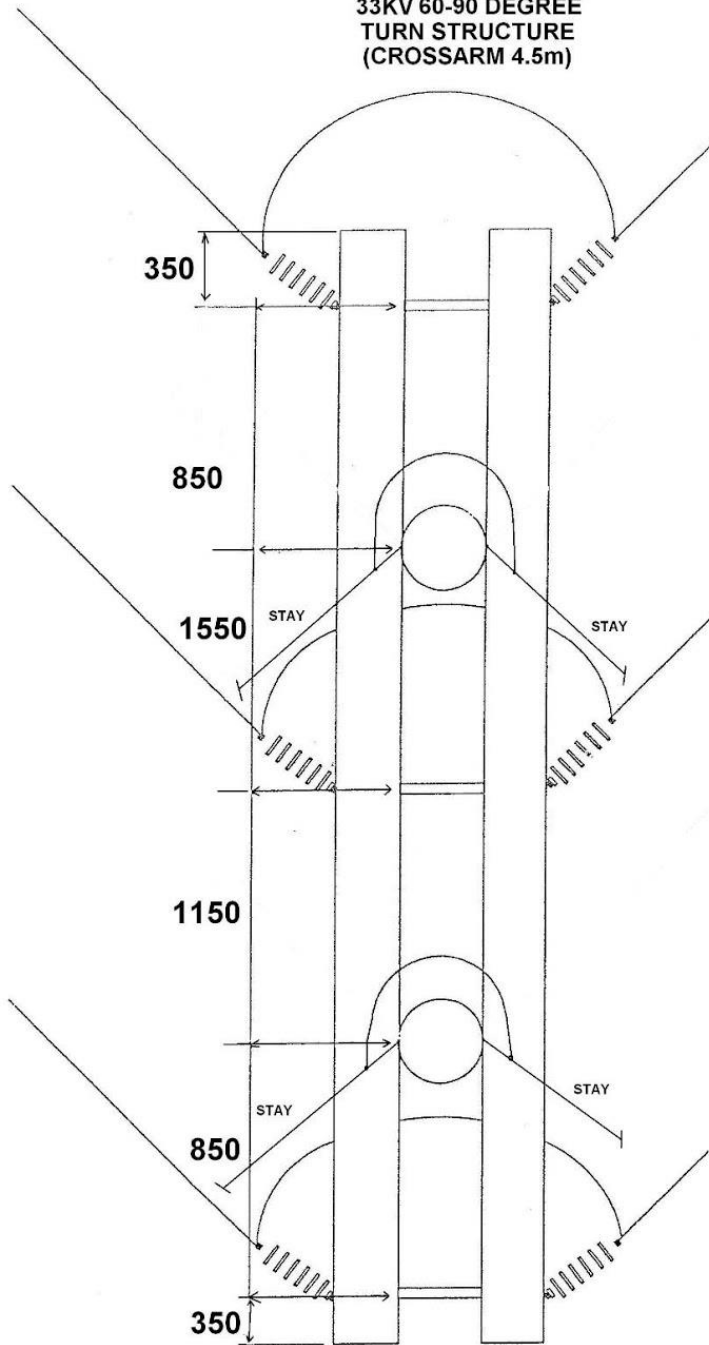
\* As approved by the employer

TOTAL MATERIAL PRICE

<b>POLE SIZE</b>	<b>HARE CONDUCTOR</b>	<b>RABBIT CONDUCTOR</b>
12m	R	R
14m	R	R

**DR 4**

**33KV 60-90 DEGREE  
TURN STRUCTURE  
(CROSSARM 4.5m)**



2.1.9

### 2.1.10

#### TRANSPORT OF \*H-POLE STRUCTURES, 33 KV THREE PHASE (EXCLUDING MATERIAL, ERECTION AND DIGGING OF HOLES)

STRUCTURES	1	6	11-15	16	21	26	31	36	41	46	***ADDITIONAL FIVE
**DISTANCE IN KM	-5	-10		-20	-25	-30	-35	-40	-45	-50	
1 – 50	R	R	R	R	R	R	R	R	R	R	R
51 – 100	R	R	R	R	R	R	R	R	R	R	R
101 - 150	R	R	R	R	R	R	R	R	R	R	R

\*Must be according to drawings 1, 2, 3 and 4

\*\*Distance from Tzaneen Substation along the road to furthest point of the line that must be built.

\*\*\*EXAMPLE: If the amount tendered for 46 – 50 structures = A, and if the amount tendered for ADITIONAL FIVE = B then

Cost for 51 – 55 Structures = A + B and  
 Cost for 56 – 60 Structures = A + B + B and  
 Cost for 61 – 65 Structures = A + B + B + B etc.

#### ERRECTION OF \*H-POLE STRUCTURES, 33 KV THREE PHASE (EXCLUDING MATERIAL, TRANSPORT AND DIGGING OF HOLES)

TOTAL LABOUR FOR ONE STRUCTURE: R\_\_\_\_\_

-50-

### 2.1.11

#### H-POLE STRAIN STRUCTURE MATERIAL LIST: 11 KV THREE PHASE, SEE DR 5

(EX-CLUDING STAYS AND CONDUCTOR)

<u>QUANTITY</u>	<u>SIZE</u>	<u>DESCRIPTION</u>
2		Wooden poles, Top diameter of 180 – 200mm
1	2m	Wooden cross-arm, 150 – 180mm
2	20 x 350mm	Studs
1	20 x 225mm	Eye bolts
5	20mm	Ring nuts

6	75 x 75mm	Square washers
6		Vibration dampers on spans longer than 150m
6		22 kV insulators, Elbroc type or similar, as * approved
6		Pistol grips on spans longer than 150m
6		Tower hooks
6		Thimbles for "RABBIT" conductor
6		Dead ends for "RABBIT" conductor
2		11kV Post Insulators
2		0.05 Twin ties
<b>MATERIAL ADDED BY TENDERER</b>		

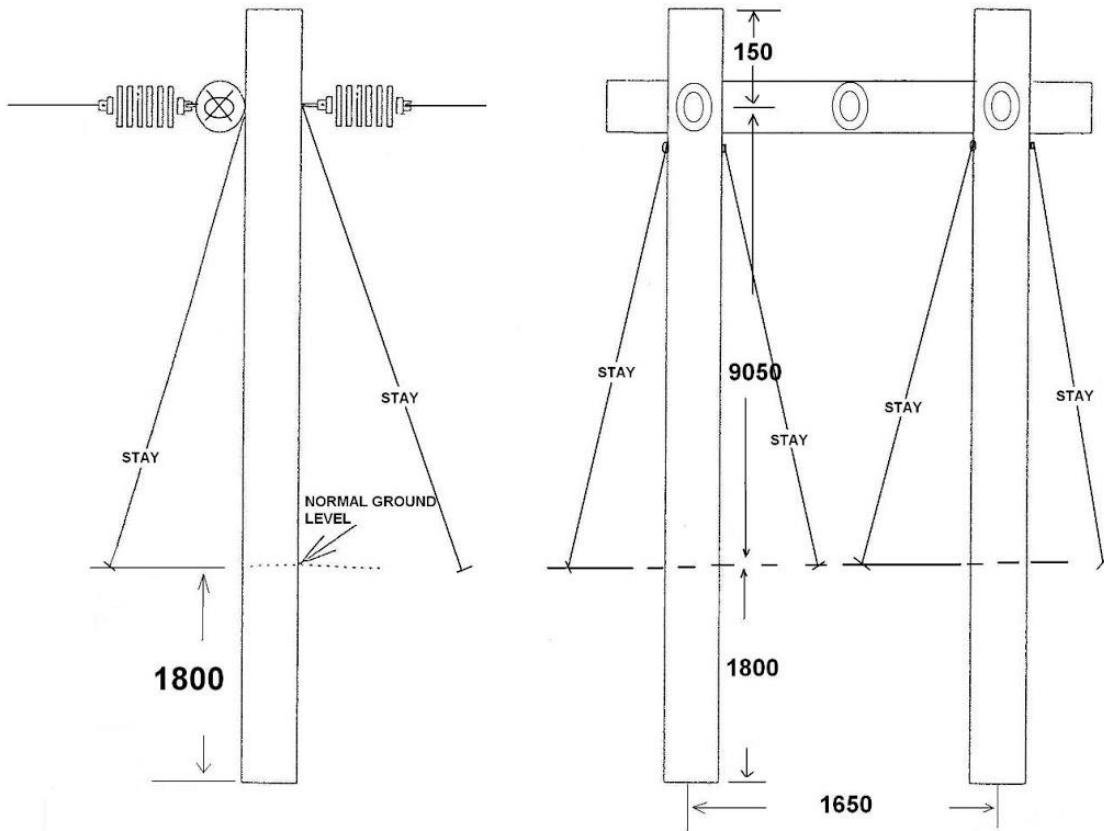
\* As approved by the employer

TOTAL MATERIAL PRICE

<b>POLE SIZE</b>	<b>RABBIT CONDUCTOR</b>
11m	R
12m	R
14m	R

2.1.12

DR 5  
11KV H-POLE STRAIN  
STRUCTURE THREE  
PHASE



**2.1.13**

**H-POLE STRAIN STRUCTURE MATERIAL LIST: 11 KV SINGLE PHASE, SEE DR 6**

(EX-CLUDING STAYS AND CONDUCTOR)

<b><u>QUANTITY</u></b>	<b><u>SIZE</u></b>	<b><u>DESCRIPTION</u></b>
2		Wooden poles, Top diameter of 180 – 200mm
1	2m	Wooden cross-arm, 150 – 180mm
2	20 x 350mm	Studs
4	20mm	Ring nuts
4	75 x 75mm	Square washers
4		22 kV insulators, Elbroc type or similar, as * approved
4		Tower hooks
4		Thimbles for “RABBIT” conductor
4		Dead ends for “RABBIT” conductor
2		11kV Post Insulators
2		0.05 Twin ties
<b>MATERIAL ADDED BY TENDERER</b>		

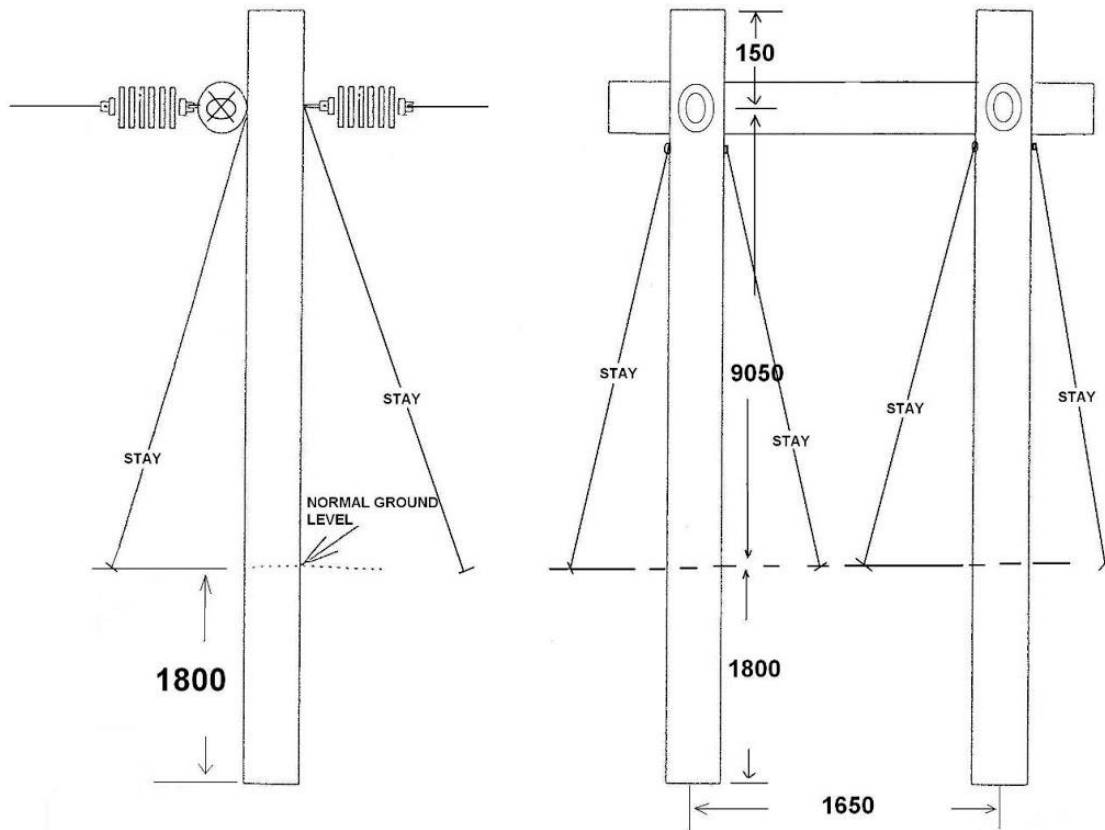
\* As approved by the employer

TOTAL MATERIAL PRICE

<b>POLE SIZE</b>	<b>RABBIT CONDUCTOR</b>
11m	R
12m	R
14m	R

2.1.14

DR 6  
11KV H-POLE STRAIN  
STRUCTURE SINGLE  
PHASE





2.1.15

**H-POLE TURN THREE PHASE STRUCTURE MATERIAL LIST: 11 KV SEE DR 7**

(EX-CLUDING STAYS AND CONDUCTOR)

<b><u>QUANTITY</u></b>	<b><u>SIZE</u></b>	<b><u>DESCRIPTION</u></b>
2		Wooden poles, Top diameter of 180 – 200mm
1	2m	Wooden cross-arm, 150 – 180mm
3	20 x 250mm	Studs
2	20 x 450mm	Studs
1	20 x 225mm	Eyebolts
5	20mm	Ring nuts
6		0.05 PG Clamps
6	75 x 75mm	Square washers
6		22 kV insulators, Elbroc type or similar, as * approved
6		Tower hooks
6		Pistol grips for spans longer than 150m
6		Vibration dampers for spans longer than 150m
6		Thimbles for “RABBIT” conductor
6		Dead ends for “RABBIT” conductor
<b>MATERIAL ADDED BY TENDERER</b>		

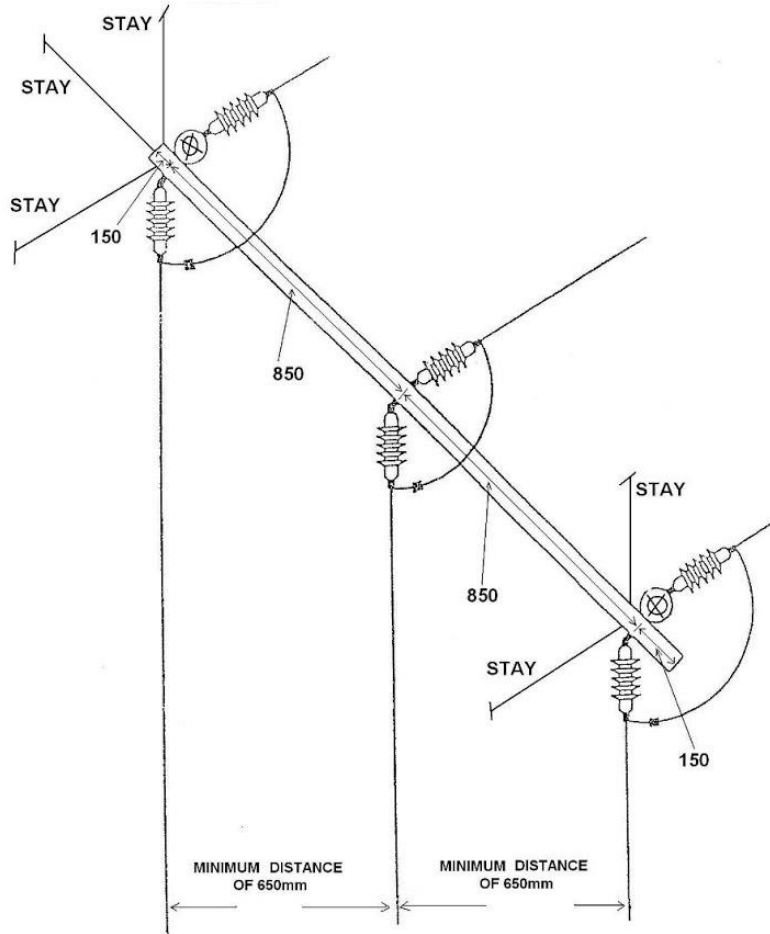
\* As approved by the employer

TOTAL MATERIAL PRICE

<b>POLE SIZE</b>	<b>RABBIT CONDUCTOR</b>
11m	R
12m	R
14m	R

2.1.16

DR 7  
11KV H-POLE TURN  
STRUCTURE



**2.1.17**

**TRANSPORT OF \* H-POLE STRUCTURES, 11 KV THREE AND SINGLE PHASE  
(EXCLUDING MATERIAL, ERECTION AND DIGGING OF HOLES)**

<b>STRUCTURES</b>	<b>1 - 5</b>	<b>6 - 10</b>	<b>11 - 15</b>	<b>16 - 20</b>	<b>21 - 25</b>	<b>26 - 30</b>	<b>31 - 35</b>	<b>36 - 40</b>	<b>41 - 45</b>	<b>46 - 50</b>	<b>***ADDITIONAL FIVE</b>
<b>**DISTANCE IN KM</b>											
<b>1 – 50</b>	R	R	R	R	R	R	R	R	R	R	R
<b>51 – 100</b>	R	R	R	R	R	R	R	R	R	R	R
<b>101 - 150</b>	R	R	R	R	R	R	R	R	R	R	R

**\*Must be according to drawings 5, 6 and 7**

**\*\*Distance from Tzaneen Substation along the road to furthest point of the line that must be built.**

**\*\*\*EXAMPLE:** If the amount tendered for 46 – 50 structures = A, and if the amount tendered for ADITIONAL FIVE = B then

Cost for 51 – 55 Structures = A + B and  
 Cost for 56 – 60 Structures = A + B + B and  
 Cost for 61 – 65 Structures = A + B + B + B etc.

**ERRECTION OF \*H-POLE STRUCTURES, 11 KV THREE AND SINGLE PHASE  
(EXCLUDING MATERIAL, TRANSPORT AND DIGGING OF HOLES)**

TOTAL LABOUR FOR ONE STRUCTURE: R\_\_\_\_\_

-57-

**2.1.18**

**ROAD CROSSING MATERIAL LIST: 33 KV, SEE DR 8**

(EX-CLUDING STAYS AND CONDUCTOR)

<b><u>QUANTITY</u></b>	<b><u>SIZE</u></b>	<b><u>DESCRIPTION</u></b>
32	75 x 75mm	Square Washers
90	40mm	Staples
2	0.2	PG Clamps
3	0.1	PG Clamps

4		Wooden Poles, Top diameter 180 – 200mm
4	3.6m	Wooden Cross-arm, 150 – 180mm
12		Tower hooks
12		33 kV Insulators, Elbroc type or similar, as * approved
12		Dead ends if “RABBIT” conductor is used
12		Thimbles if “RABBIT” conductor is used
12		Pistol grips if “HARE” conductor is used, long spans and road crossings
		Ring nuts
16		Studs
10	20 x 750mm	Eyebolts
2	20 x 225mm	Steel Wire to run down poles for earth
2	15m	Clamps
2	10mm	PG Clamps for conductor size
12		
<b>MATERIAL ADDED BY TENDERER</b>		

\* As approved by the employer

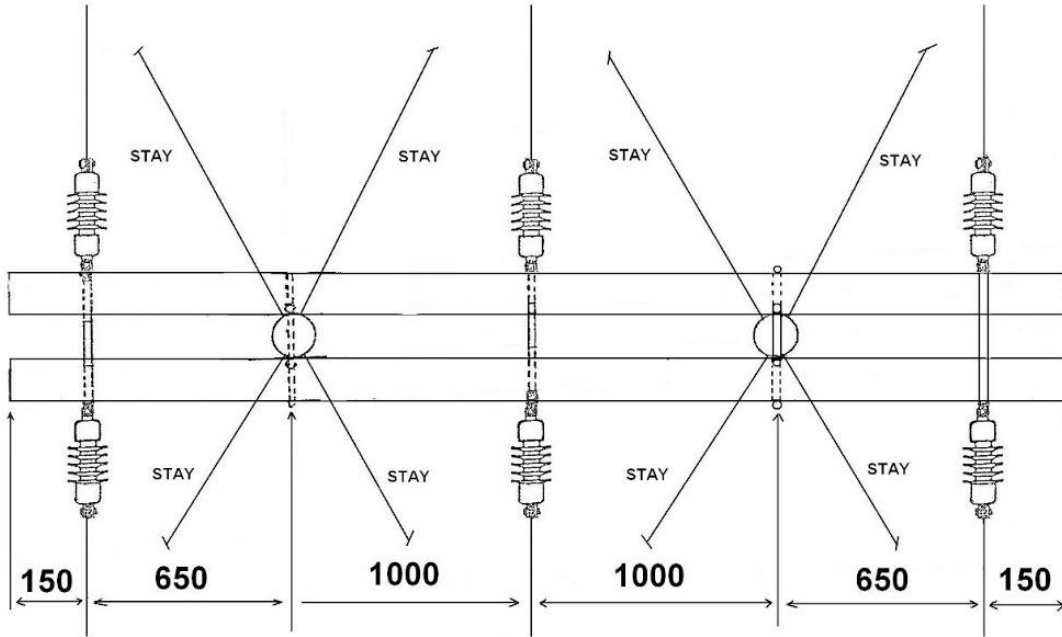
TOTAL MATERIAL PRICE

<b>POLE SIZE</b>	<b>HARE CONDUCTOR</b>	<b>RABBIT CONDUCTOR</b>
11m	R	R
12m	R	R
14m	R	R

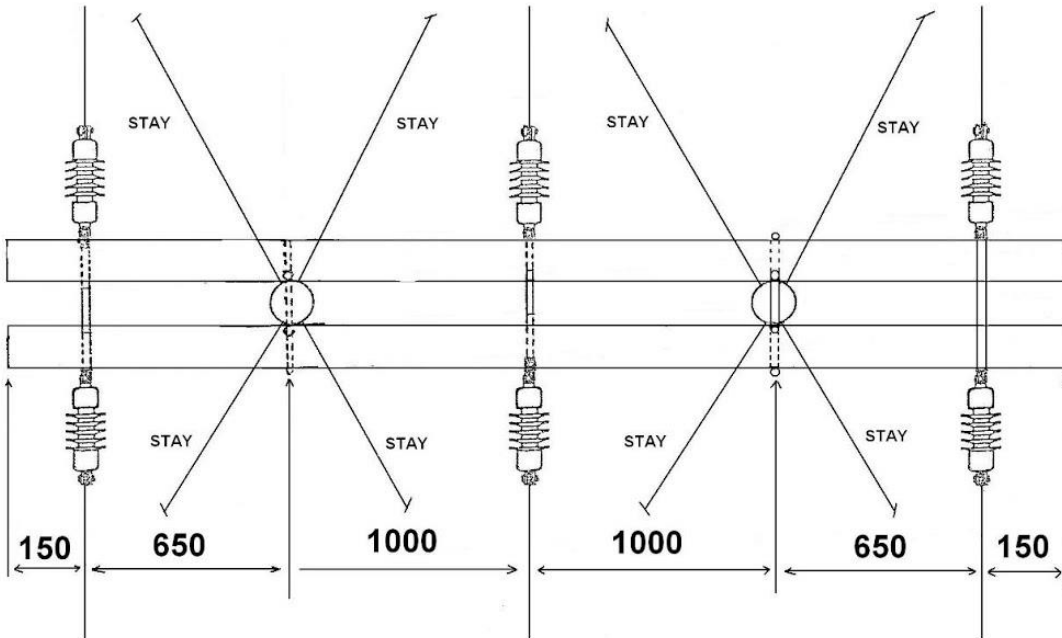
## 2.1.19

DR 8

33KV ROADCROSSING



**ROAD**



2.1.20

**TRANSPORT FOR \* ROAD CROSSING STRUCTURE, 33 KV**

(EXCLUDING MATERIAL, ERECTION AND DIGGING OF HOLES)

<b>AMOUNT</b>	1
<b>** DISTANCE IN KM</b>	
1 – 50	R
51 – 100	R
101 - 150	R

\* **Must be according to drawing No. 8**

\*\* Distance from Tzaneen Substation along the road to furthest point of the line that must be built.

**LABOUR FOR THE ERECTION OF A \* ROAD CROSSING, 33 KV**

(EXCLUDING MATERIAL, TRANSPORT AND DIGGING OF HOLES)

Total labour for one road crossing R\_\_\_\_\_

**ROAD CROSSING MATERIAL LIST: 11 KV, SEE DR 9**

(EX-CLUDING STAYS AND CONDUCTOR)

<b><u>QUANTITY</u></b>	<b><u>SIZE</u></b>	<b><u>DESCRIPTION</u></b>	
4	2m	Wooden poles, top diameter of 160 – 180mm	
2		Cross arms, 150 – 180mm	
12		Tower hooks	
12		22 kV insulators, Elbroc type or similar, as * approved	
12		Dead ends for “RABBIT” conductors	
12		Thimbles for “RABBIT” conductor	
2		20 x 200mm	Eyebolts
10			Ring nuts
4		20 x 450mm	Studs
3			PG Clamps
4			11kV Post Insulators
4			0.05 Twin ties
<b>MATERIAL ADDED BY BIDDER</b>			

\* As approved by the employer

TOTAL MATERIAL PRICE

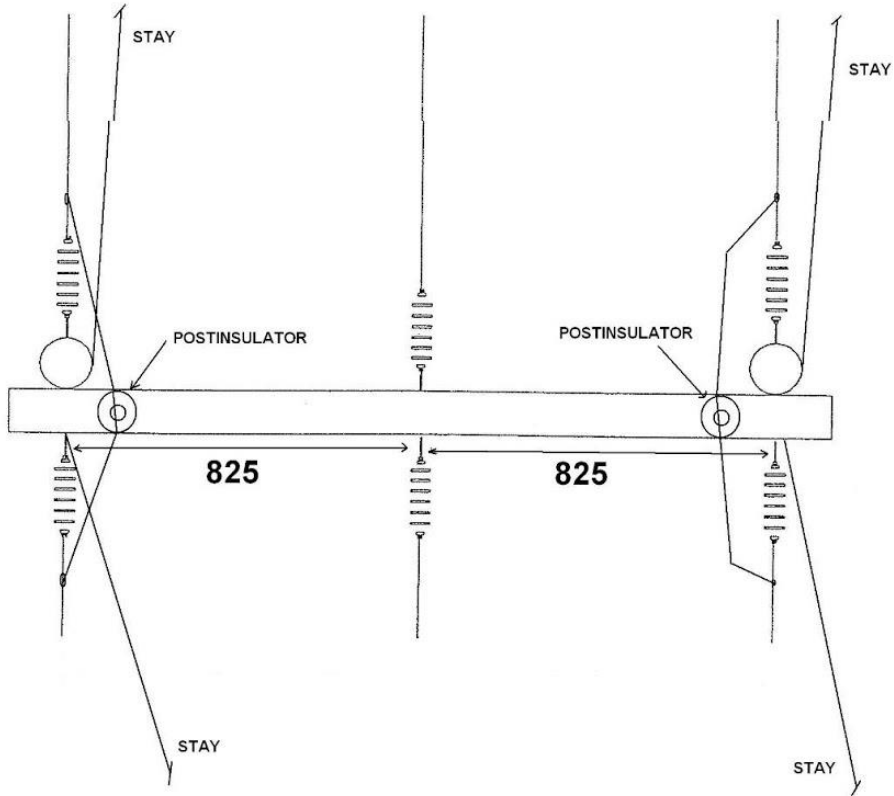
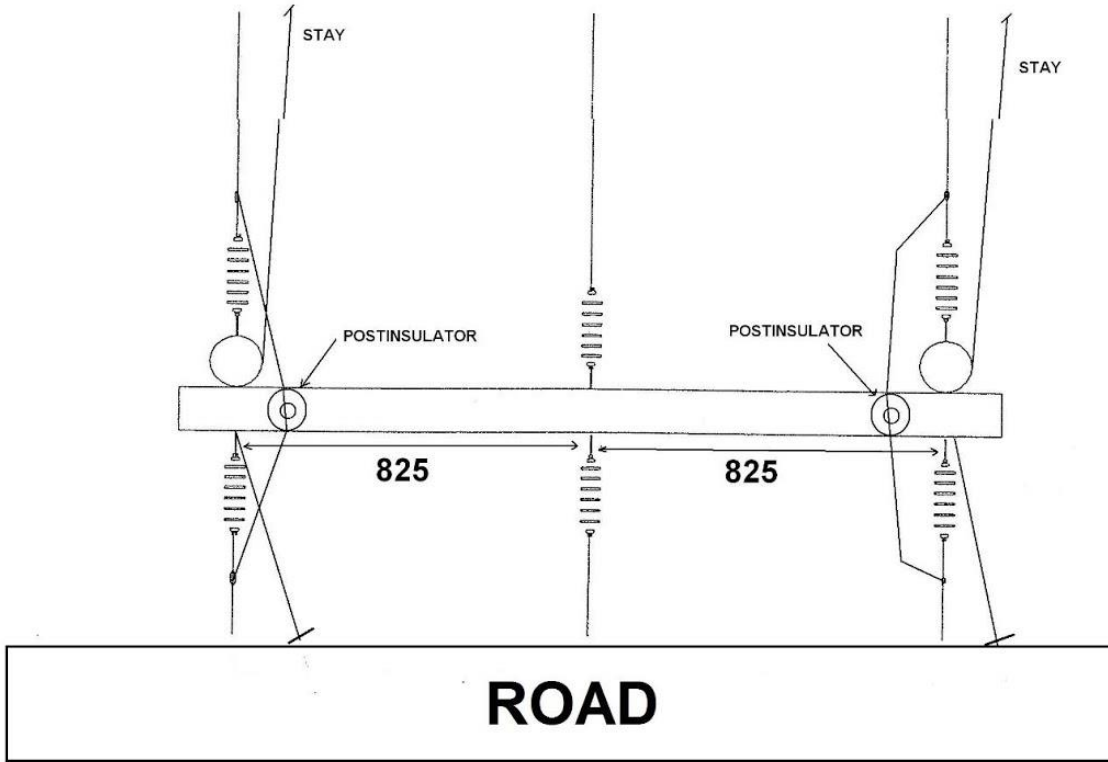
<b>POLE SIZE</b>	<b>RABBIT CONDUCTOR</b>
11m	R
12m	R
14m	R



2.1.22

DR 9

11KV ROADCROSSING



**2.1.23**

**TRANSPORT FOR \* ROAD CROSSING STRUCTURE, 11 KV**

(EXCLUDING MATERIAL, ERECTION AND DIGGING OF HOLES)

<b>AMOUNT</b>	1
<b>** DISTANCE IN KM</b>	
1 – 50	R
51 – 100	R
101 - 150	R

**\* Must be according to drawing No. 9**

\*\* Distance from Tzaneen Substation along the road to furthest point of the line that must be built.

**LABOUR FOR THE ERECTION OF A \* ROAD CROSSING, 11 KV**

(EXCLUDING MATERIAL, TRANSPORT AND DIGGING OF HOLES)

Total labour for one road crossing R\_\_\_\_\_

2.1.24

**SINGLE POLE INTERMEDIATE STRUCTURE MATERIAL LIST: 33 KV, SEE DR 10**

(EX-CLUDING STAYS AND CONDUCTOR)

<u>QUANTITY</u>	<u>SIZE</u>	<u>DESCRIPTION</u>
1		Wooden poles, top diameter of 180 – 200mm
3		33 kV Porcelain post insulators, from Cullinan or similar, as * approved
		Spindles for post insulators
3	20mm	Square washers
8	75 x 75mm	Twin ties for “RABBIT” or “HARE” conductor
3		Eyebolt
1	20 x 250	Armour rods
3		Staples
40	40mm	Clamps for earth wire
1		Steel wire for earth down pole
1	15m	
<b>MATERIAL ADDED BY BIDDER</b>		

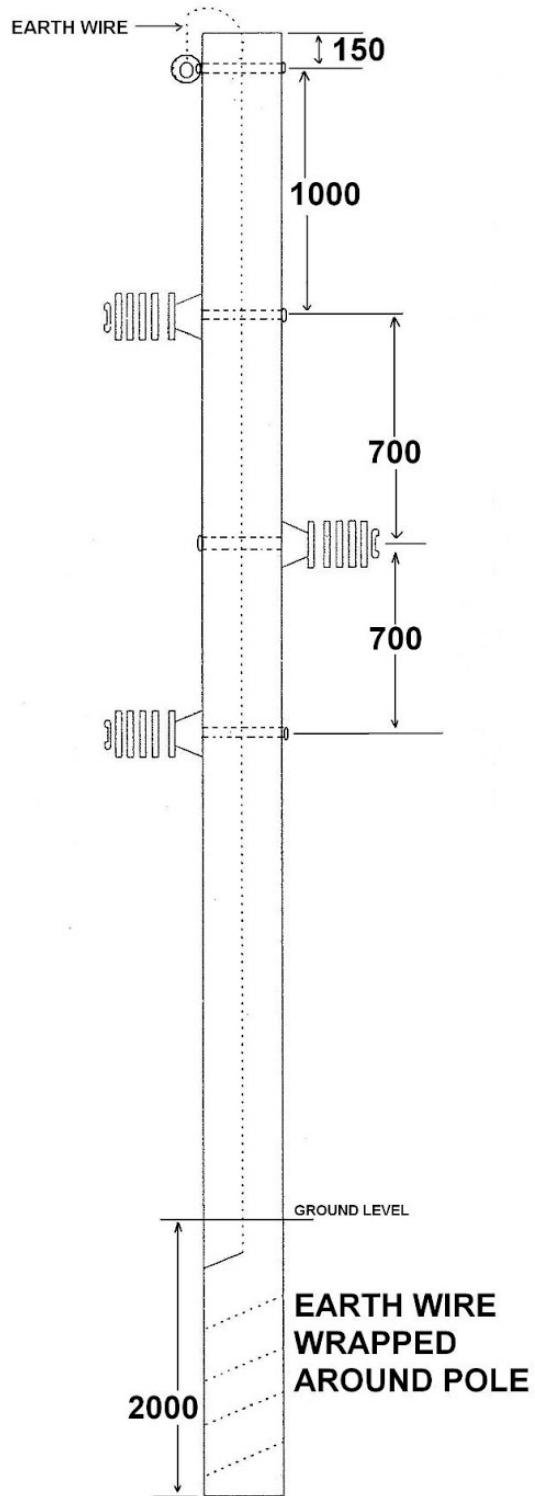
\* As approved by the employer

TOTAL MATERIAL PRICE

<b>POLE SIZE</b>	<b>HARE CONDUCTOR</b>	<b>RABBIT CONDUCTOR</b>
12m	R	R
14m	R	R

2.1.25

**DR 10**  
**33KV SINGLE POLE**  
**INTERMEDIATE STRUCTURE**



2.1.26

**SINGLE POLE STRAIN STRUCTURE MATERIAL LIST: 33 KV, SEE DR 11**

(EX-CLUDING STAYS AND CONDUCTOR)

<u>QUANTITY</u>	<u>SIZE</u>	<u>DESCRIPTION</u>
1		Wooden poles, top diameter of 180 – 200mm
6		33 kV Composite insulators, Elbroc or similar, as *approved
4	20mm	Eyebolts
4	20mm	Ring nuts
6		Thimbles for “RABBIT” conductor
6		Dead ends for “RABBIT” conductor
6		Pistol clamps when “HARE” conductor is used
6		Tower hooks
10		Square washers
1	15mm	Steel wire for earth on poles
1		Clamp for earth wire
3	0.1	Universal clamps
3		33kV Post Insulators
3		Twin ties
<b>MATERIAL ADDED BY BIDDER</b>		

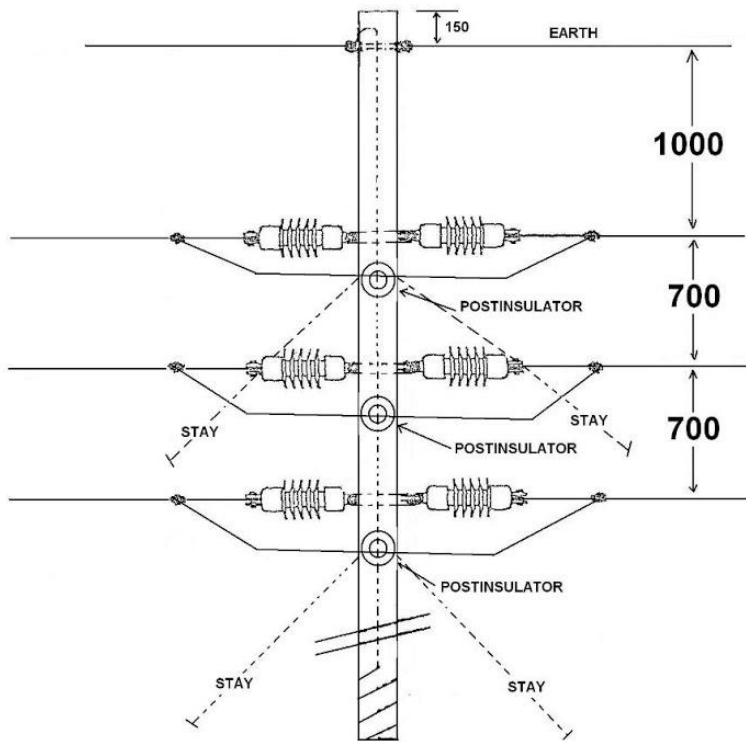
\* As approved by the employer

TOTAL MATERIAL PRICE

<b>POLE SIZE</b>	<b>HARE CONDUCTOR</b>	<b>RABBIT CONDUCTOR</b>
12m	R	R
14m	R	R

DR 11

33KV SINGLE POLE STRAIN  
STRUCTURE



2.1.28

**SINGLE POLE CORNER STRAIN STRUCTURE MATERIAL LIST: 33 KV SEE DR 12**

(EX-CLUDING STAYS AND CONDUCTOR)

<u>QUANTITY</u>	<u>SIZE</u>	<u>DESCRIPTION</u>
1		Wooden poles, top diameter of 180 – 200mm
6		33 kV Composite insulators, Elbroc or similar, as * approved
4	20mm	Eyebolts
4		Ring nuts
6		Thimbles for “RABBIT” conductor
6		Dead ends for “RABBIT” conductor
6		Pistol clamps when “HARE” conductor is used
6		Tower hooks
10		Square washers
1	15m	Steel wire for earth down pole
1		Clamp for earth wire
3	0.1	Universal PG clamps
3	20 x 250mm	Studs
40	40mm	Staples
3		33kV Post Insulators
3		Twin ties
<b>MATERIAL ADDED BY BIDDER</b>		

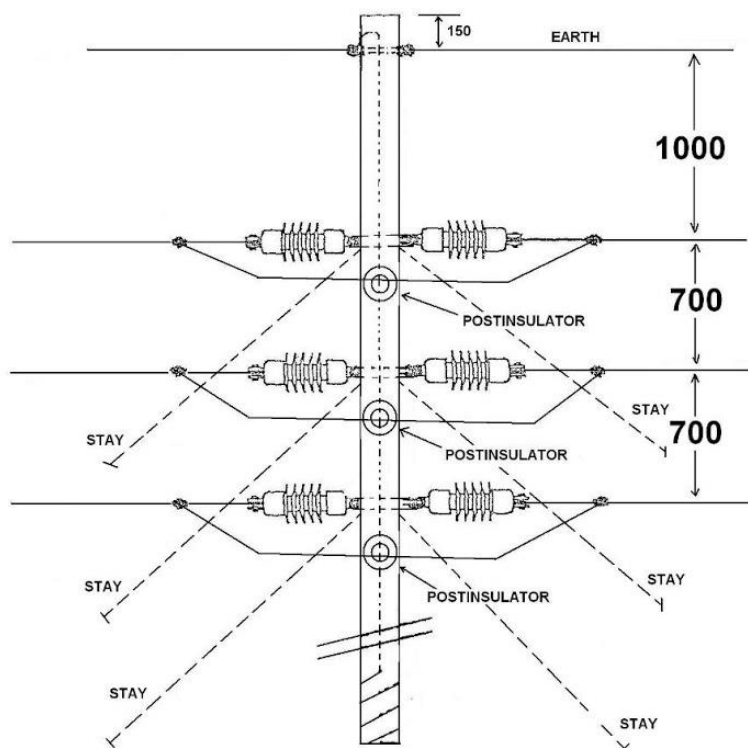
\* As approved by the employer

TOTAL MATERIAL PRICE

<b>POLE SIZE</b>	<b>HARE CONDUCTOR</b>	<b>RABBIT CONDUCTOR</b>
12m	R	R
14m	R	R

DR 12

33KV SINGLE POLE CORNER  
STRAIN STRUCTURE





2.1.30

**SINGLE POLE TURN STRUCTURE MATERIAL LIST: 33 KV, SEE DR 13**

(EX-CLUDING STAYS AND CONDUCTOR)

<u>QUANTITY</u>	<u>SIZE</u>	<u>DESCRIPTION</u>
1		Wooden poles, top diameter of 180 – 200mm
3		33 kV Composite insulators, Elbroc or similar, as * approved
4	20mm	Eyebolts
3		Suspension clamps for “RABBIT” or “HARE” conductor
3		Armour rods for “RABBIT” or “HARE” conductor
3		Tower hooks
10		Square washers
1	15m	Steel wire for earth down pole
1		Clamp for earth wire
2	20 x 250mm	Studs
40	40mm	Staples
<b>MATERIAL ADDED BY TENDERER</b>		

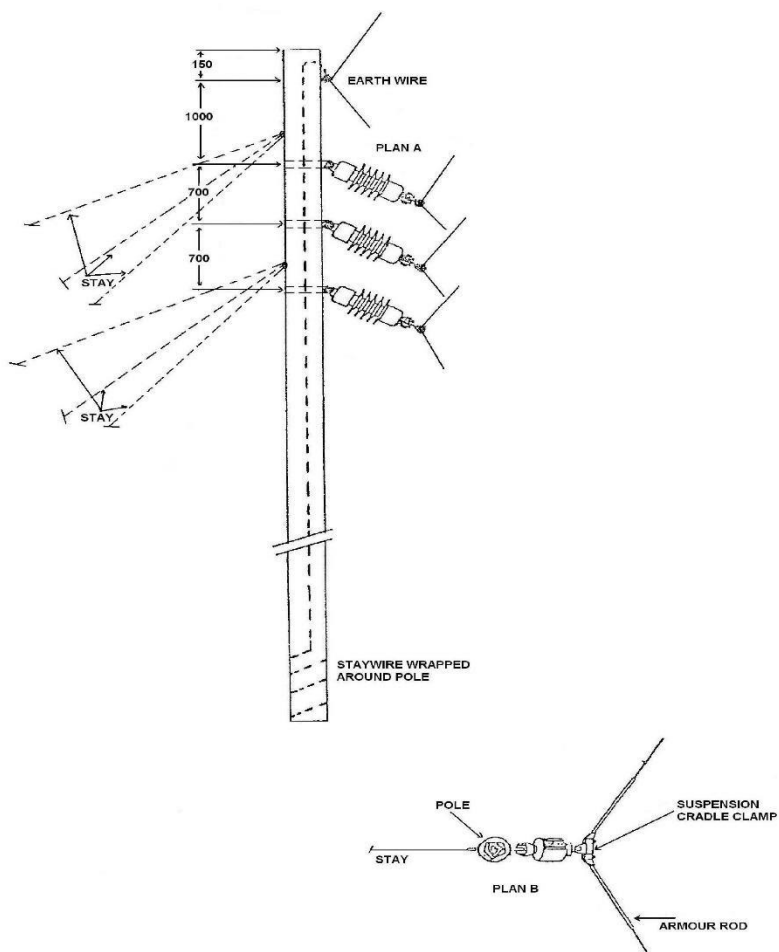
\* As approved by the employer

TOTAL MATERIAL PRICE

<b>POLE SIZE</b>	<b>HARE CONDUCTOR</b>	<b>RABBIT CONDUCTOR</b>
12m	R	R
14m	R	R

2.1.31

DR 13  
33KV SINGLE POLE TURN



**2.1.32**

**TRANSPORT OF \* SINGLE POLE STRUCTURES, 33 KV THREE PHASE  
(EXCLUDING MATERIAL, ERECTION AND DIGGING OF HOLES)**

<b>STRUCTURES</b>	<b>1 - 5</b>	<b>6 - 10</b>	<b>11 - 15</b>	<b>16 - 20</b>	<b>21 - 25</b>	<b>26 - 30</b>	<b>31 - 35</b>	<b>36 - 40</b>	<b>41 - 45</b>	<b>46 - 50</b>	<b>***ADITIONAL FIVE</b>
<b>**DISTANCE IN KM</b>											
<b>1 – 50</b>	R	R	R	R	R	R	R	R	R	R	R
<b>51 – 100</b>	R	R	R	R	R	R	R	R	R	R	R
<b>101 - 150</b>	R	R	R	R	R	R	R	R	R	R	R

**\*Must be according to drawings 10, 11, 12, 13**

**\*\*Distance from Tzaneen Substation along the road to furthest point of the line that must be built.**

**\*\*\*EXAMPLE: If the amount tendered for 46 – 50 structures = A, and if the amount tendered for ADITIONAL FIVE = B then**

Cost for 51 – 55 Structures = A + B and  
 Cost for 56 – 60 Structures = A + B + B and  
 Cost for 61 – 65 Structures = A + B + B + B etc.

**ERRECTION OF \*SINGLE POLE STRUCTURES, 33 KV THREE PHASE  
(EXCLUDING MATERIAL, TRANSPORT AND DIGGING OF HOLES)**

TOTAL LABOUR FOR ONE STRUCTURE: R\_\_\_\_\_

**2.1.33**

**SINGLE POLE INTERMEDIATE STRUCTURE MATERIAL LIST: 11 KV THREE PHASE SEE DR 14**

(EX-CLUDING STAYS AND CONDUCTOR)

<b><u>QUANTITY</u></b>	<b><u>SIZE</u></b>	<b><u>DESCRIPTION</u></b>
1		Wooden poles, top diameter of 160 – 180mm
3		22 KV Porcelain Post insulators, EP 356 from Cullinan or similar, as * approved
3		Spindles for post insulators
3		Twin ties for “RABBIT” conductor
<b>MATERIAL ADDED BY BIDDER</b>		

--	--	--

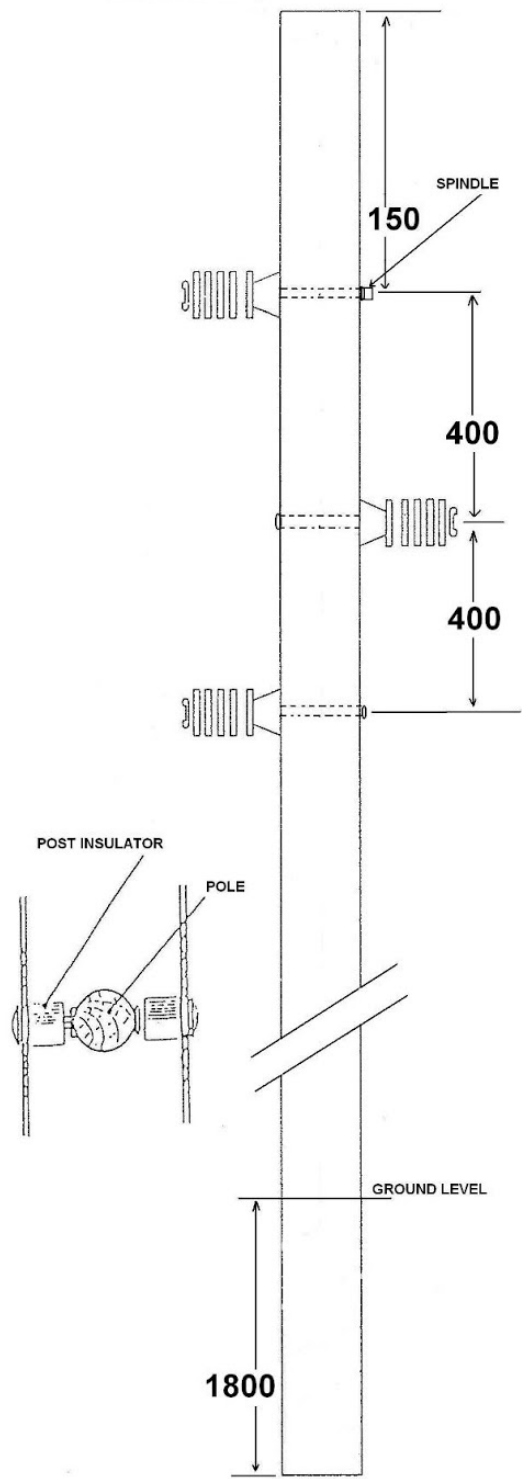
\* As approved by the employer

TOTAL MATERIAL PRICE

<b>POLE SIZE</b>	<b>RABBIT CONDUCTOR</b>
11m	R
12m	R
14m	R

2.1.34

**DR 14**  
**11KV SINGLE POLE**  
**INTERMEDIATE STRUCTURE**



2.1.35

**SINGLE POLE STRAIN STRUCTURE MATERIAL LIST: 11 KV THREE PHASE SEE DR 15**

(EX-CLUDING STAYS AND CONDUCTOR)

<u>QUANTITY</u>	<u>SIZE</u>	<u>DESCRIPTION</u>	
1	20mm	Wooden poles, top diameter of 160 – 180mm	
6		22 KV Composite insulators, Elbroc type or similar as * approved	
3		Eyebolts	
3		PG Clamps	
3		Ring nuts	
6		Square washers	
6		Tower hooks	
6		Dead ends for “RABBIT” conductor	
6		Thimbles for “RABBIT” conductor	
3		22kV Post Insulators	
3		Twin ties	
<b>MATERIAL ADDED BY TENDERER</b>			

\* As approved by the employer

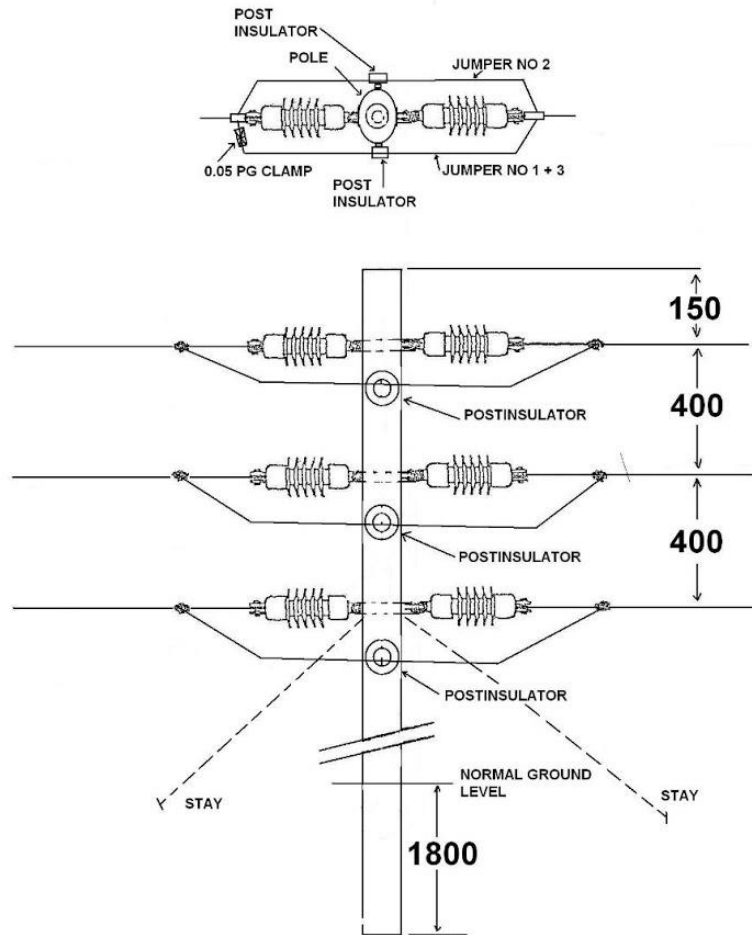
TOTAL MATERIAL PRICE

<b>POLE SIZE</b>	<b>RABBIT CONDUCTOR</b>
11m	R
12m	R
14m	R

2.1.36

DR 15

### 11KV SINGLE POLE STRAIN STRUCTURE



**2.1.37**

**SINGLE POLE CORNER STRAIN STRUCTURE MATERIAL LIST: 11 KV THREE PHASE SEE, DR 16**

(EX-CLUDING STAYS AND CONDUCTOR)

<b><u>QUANTITY</u></b>	<b><u>SIZE</u></b>	<b><u>DESCRIPTION</u></b>
1		Wooden poles, top diameter of 160 – 180mm
6		22 kV Composite insulators, Elbroc type or similar, as * approved
3	20mm	Eyebolts
3	0.05	PG Clamps
2	20 x 250mm	Studs
3		Ring nuts
6		Square washers
6		Tower hooks
6		Dead-ends for “RABBIT” conductor
6		Thimbles for “RABBIT” conductor
3		22kV Post Insulators
3		Twin ties
<b>MATERIAL ADDED BY TENDERER</b>		

\* As approved by the employer

TOTAL MATERIAL PRICE

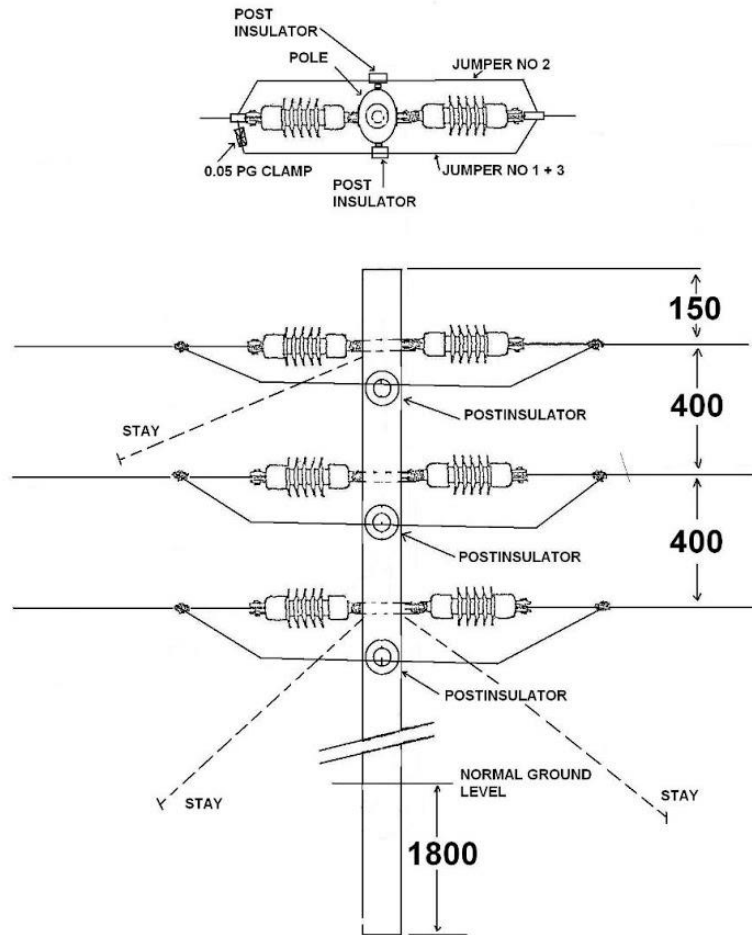
<b>POLE SIZE</b>	<b>RABBIT CONDUCTOR</b>
11m	R
12m	R
14m	R



2.1.38

DR 16

### 11KV SINGLE POLE CORNER STRAIN STRUCTURE



**2.1.39**

**SINGLE POLE TURN STRUCTURE MATERIAL LIST: 11 KV THREE PHASE SEE DR 17**

(EX-CLUDING STAYS AND CONDUCTOR)

<b><u>QUANTITY</u></b>	<b><u>SIZE</u></b>	<b><u>DESCRIPTION</u></b>
1		Wooden poles, top diameter of 160 – 180mm
3		22 kV Composite insulators, Elbroc type of similar, as * approved
3		0.05 Twin ties
3	20mm	Eyebolts
1	20 x 250mm	Studs
3		Square washers
3		Tower hooks
3		Suspension clamps for “RABBIT” conductor
3		Armour rods for “RABBIT” conductor
<b>MATERIAL ADDED BY TENDERER</b>		

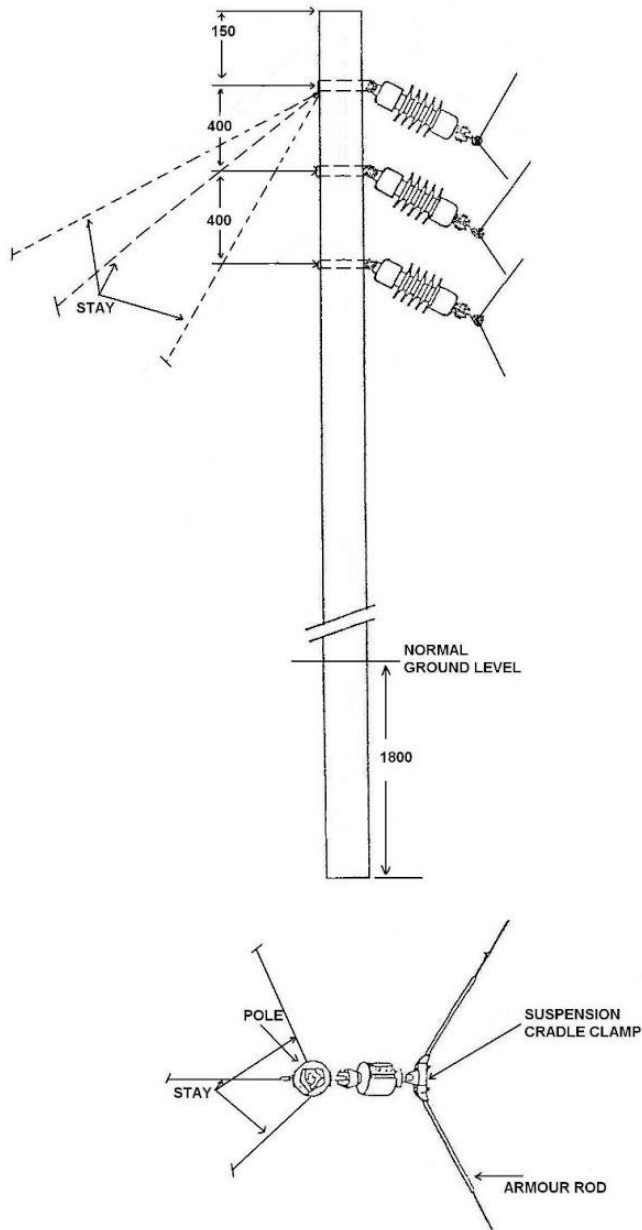
\* As approved by the employer

TOTAL MATERIAL PRICE

<b>POLE SIZE</b>	<b>RABBIT CONDUCTOR</b>
11m	R
12m	R
14m	R

2.1.40

DR 17  
11 KV SINGLE POLE TURN



### 2.1.41

**TRANSPORT OF \* SINGLE POLE STRUCTURES, 11 KV THREE PHASE  
(EXCLUDING MATERIAL, ERECTION AND DIGGING OF HOLES)**

STRUCTURES	1 - 5	6 - 10	11 - 15	16 - 20	21 - 25	26 - 30	31 - 35	36 - 40	41 - 45	46 - 50	***ADDITIONAL FIVE
**DISTANCE IN KM											
<b>1 – 50</b>	R	R	R	R	R	R	R	R	R	R	R
<b>51 – 100</b>	R	R	R	R	R	R	R	R	R	R	R
<b>101 - 150</b>	R	R	R	R	R	R	R	R	R	R	R

**\*Must be according to drawings 14, 15, 16, 17**

\*\*Distance from Tzaneen Substation along the road to furthest point of the line that must be built.

\*\*\*EXAMPLE: If the amount tendered for 46 – 50 structures = A, and if the amount tendered for ADDITIONAL FIVE = B then

Cost for 51 – 55 Structures = A + B and  
 Cost for 56 – 60 Structures = A + B + B and  
 Cost for 61 – 65 Structures = A + B + B + B etc.

**ERRECTION OF \*SINGLE POLE STRUCTURES, 11 KV THREE PHASE  
(EXCLUDING MATERIAL, TRANSPORT AND DIGGING OF HOLES)**

TOTAL LABOUR FOR ONE STRUCTURE:            R\_\_\_\_\_

### 2.1.42

**SINGLE POLE INTERMEDIATE STRUCTURE MATERIAL LIST: 11 KV SINGLE PHASE SEE, DR 18**

(EX-CLUDING STAYS AND CONDUCTOR)

<u>QUANTITY</u>	<u>SIZE</u>	<u>DESCRIPTION</u>
1		Wooden poles, top diameter of 160 – 180mm
2		22 kV Porcelain Post insulators, EP 356 from Cullinan or similar, as * approved
2		Spindles Twin ties for “RABBIT” conductor

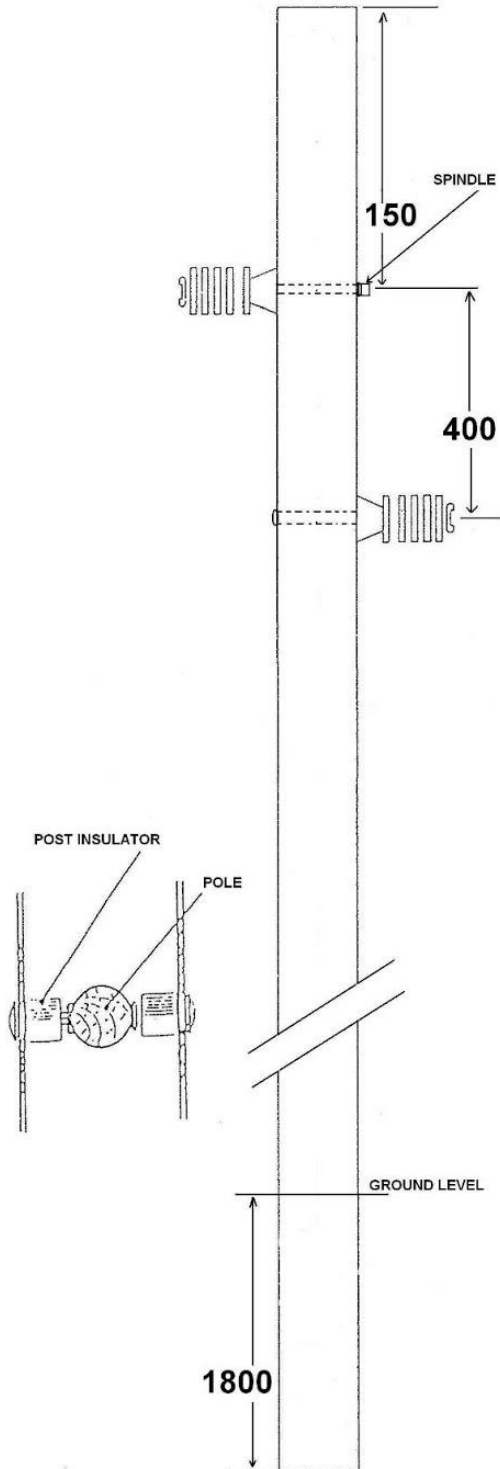
2		
<b>MATERIAL ADDED BY TENDERER</b>		

\* As approved by the employer

TOTAL MATERIAL PRICE

<b>POLE SIZE</b>	<b>RABBIT CONDUCTOR</b>
11m	R
12m	R
14m	R

2.1.43  
DR 18  
11KV SINGLE POLE  
INTERMEDIATE STRUCTURE



**2.1.44**

**SINGLE POLE STRAIN STRUCTURE MATERIAL LIST: 11 KV SINGLE PHASE SEE DR 19**

(EX-CLUDING STAYS AND CONDUCTOR)

<b><u>QUANTITY</u></b>	<b><u>SIZE</u></b>	<b><u>DESCRIPTION</u></b>
1		Wooden poles, top diameter of 160 – 180mm
4		22 kV Composite insulators, Elbroc type or similar, as * approved
2		Ring nuts
2		Eyebolts
4		Thimbles for “RABBIT” conductor
4		Dead ends for “RABBIT” conductor
4		Tower hooks
2	0.05	PG Clamps
2		22kV Post Insulators
2		Twin ties
<b>MATERIAL ADDED BY TENDERER</b>		

\* As approved by the employer

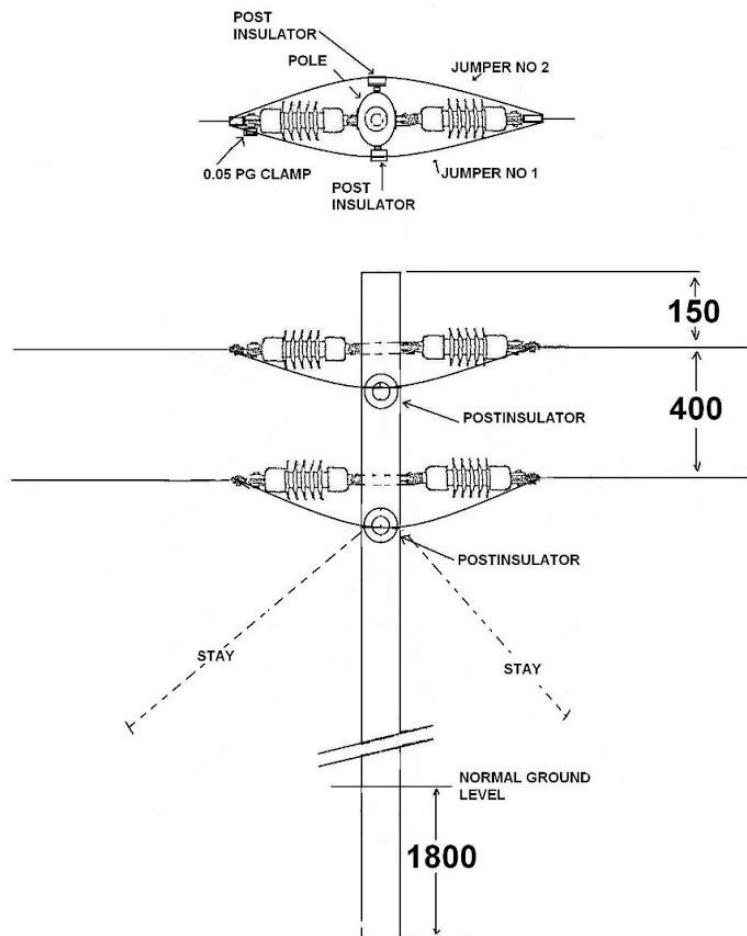
TOTAL MATERIAL PRICE

<b>POLE SIZE</b>	<b>RABBIT CONDUCTOR</b>
11m	R
12m	R
14m	R

2.1.45

DR 19

### 11KV SINGLE POLE STRAIN STRUCTURE





**2.1.46**

**SINGLE POLE STRAIN CORNER STRUCTURE MATERIAL LIST: 11 KV SINGLE PHASE SEE DR 20**

(EX-CLUDING STAYS AND CONDUCTOR)

<u>QUANTITY</u>	<u>SIZE</u>	<u>DESCRIPTION</u>
1		Wooden poles. Top diameter of 160 – 180mm
4		22 kV Composite insulators, Elbroc type or similar, as * approved
2		Ring nuts
2		Eyebolts
4		Thimbles for “RABBIT” conductor
4		Dead ends for “RABBIT” conductor
1	20 X 250mm	Studs
4		Tower hooks
4		PG Clamps
2	0.05	22kV Post Insulators
2		Twin ties
<b>MATERIAL ADDED BY TENDERER</b>		

\* As approved by the employer

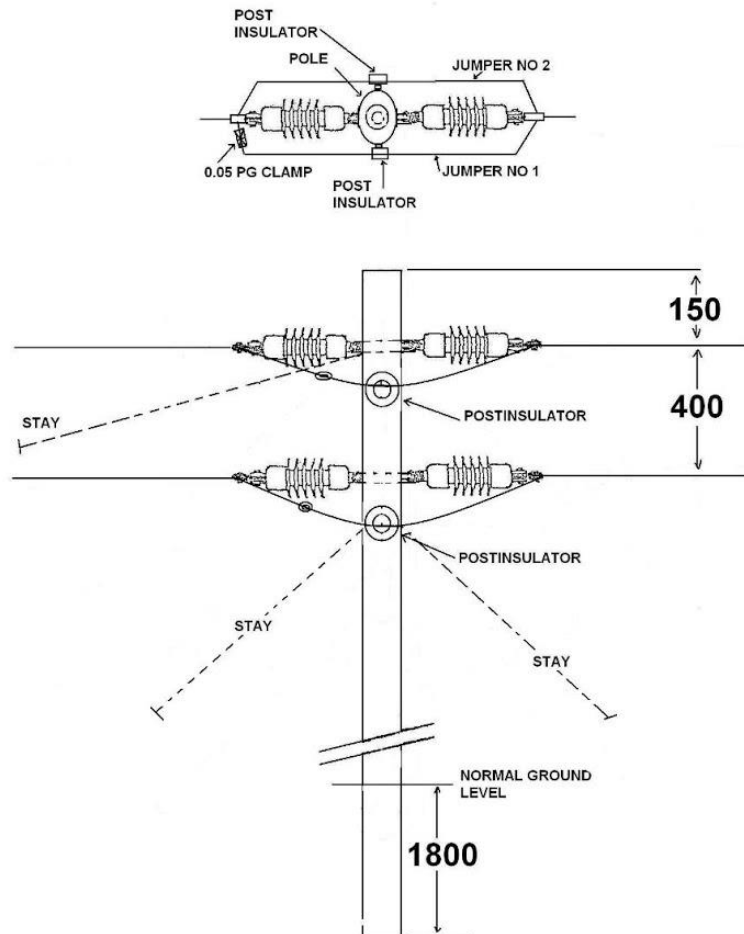
TOTAL MATERIAL PRICE

<b>POLE SIZE</b>	<b>RABBIT CONDUCTOR</b>
11m	R
12m	R
14m	R

2.1.47

DR 20

### 11KV SINGLE POLE CORNER STRAIN STRUCTURE



**2.1.48**

**SINGLE POLE TURN STRUCTURE MATERIAL LIST: 11 KV SINGLE PHASE SEE DR 21**

(EX-CLUDING STAYS AND CONDUCTOR)

<b><u>QUANTITY</u></b>	<b><u>SIZE</u></b>	<b><u>DESCRIPTION</u></b>
1		Wooden poles, top diameter of 160 – 180mm
2		22 kV Composite insulators, Elbroc type or similar, as * approved
5	75 X 75mm	Square washers
2		Eyebolts
2		Suspension clamps for “RABBIT” conductor
2		Armour rods for “RABBIT” conductor
2	20 x 250mm	Studs
2		Tower hooks
<b>MATERIAL ADDED BY TENDERER</b>		

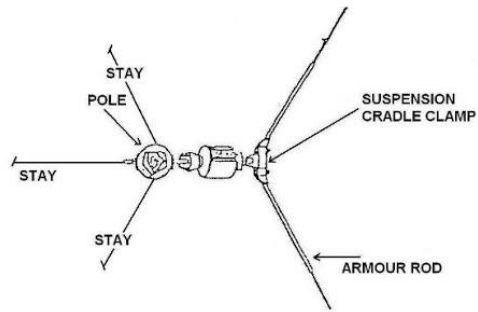
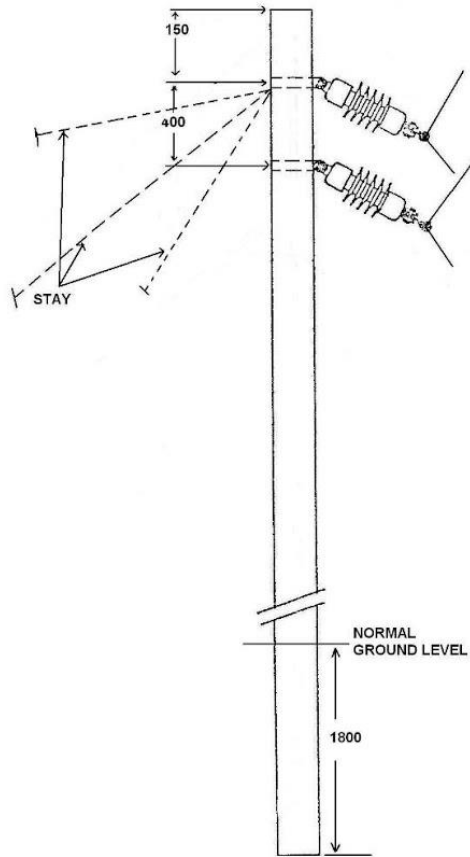
\* As approved by the employer

TOTAL MATERIAL PRICE

<b>POLE SIZE</b>	<b>RABBIT CONDUCTOR</b>
11m	R
12m	R
14m	R

2.1.49

DR 21  
11 KV SINGLE POLE TURN



### 2.1.50

**TRANSPORT OF \* SINGLE POLE STRUCTURES, 11 KV SINGLE PHASE  
(EXCLUDING MATERIAL, ERECTION AND DIGGING OF HOLES)**

<b>STRUCTURES</b>	<b>1 - 5</b>	<b>6 - 10</b>	<b>11 - 15</b>	<b>16 - 20</b>	<b>21 - 25</b>	<b>26 - 30</b>	<b>31 - 35</b>	<b>36 - 40</b>	<b>41 - 45</b>	<b>46 - 50</b>	<b>***ADDITIONAL FIVE</b>
<b>**DISTANCE IN KM</b>											
<b>1 - 50</b>	R	R	R	R	R	R	R	R	R	R	R
<b>51 - 100</b>	R	R	R	R	R	R	R	R	R	R	R
<b>101 - 150</b>	R	R	R	R	R	R	R	R	R	R	R

**\*Must be according to drawings 18, 19, 20, 21**

**\*\*Distance from Tzaneen Substation along the road to furthest point of the line that must be built.**

**\*\*\*EXAMPLE: If the amount tendered for 46 – 50 structures = A, and if the amount tendered for ADITIONAL FIVE = B then**

Cost for 51 – 55 Structures = A + B and  
 Cost for 56 – 60 Structures = A + B + B and  
 Cost for 61 – 65 Structures = A + B + B + B etc.

**ERRECTION OF \*SINGLE POLE STRUCTURES, 11 KV SINGLE PHASE  
(EXCLUDING MATERIAL, TRANSPORT AND DIGGING OF HOLES)**

TOTAL LABOUR FOR ONE STRUCTURE:      R\_\_\_\_\_

### 2.1.51

**MATERIAL LIST FOR ONE COMPLETE STAY: 11 KV SEE DR 22**

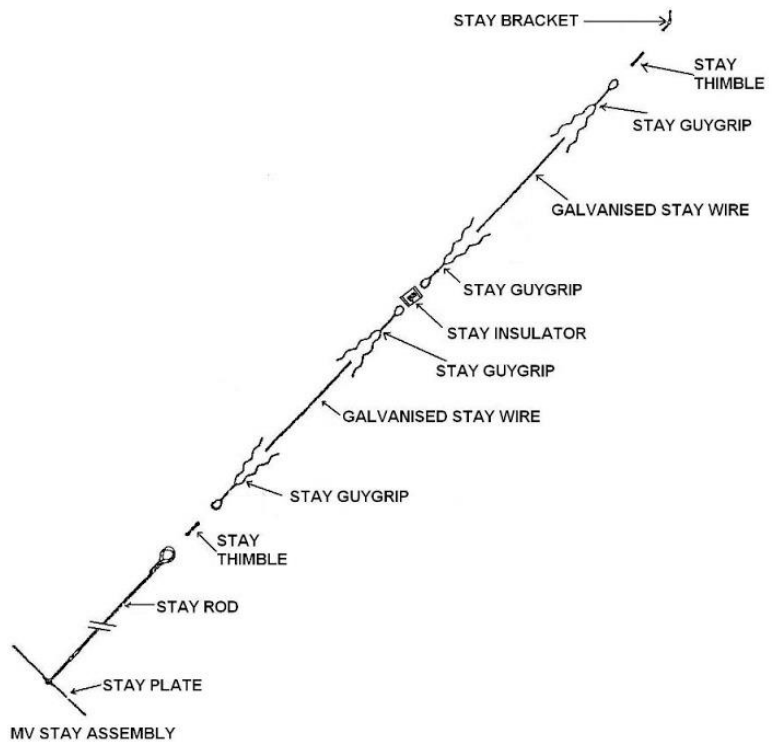
<b><u>QUANTITY</u></b>	<b><u>SIZE</u></b>	<b><u>DESCRIPTION</u></b>
1	20mm	Complete adjustable stay rod, total length of 1,8m
1	15m	Stay wire
1		Stay bracket
1		Stay plate 300 x 300 x 5mm
2		Thimbles
4		Guy grips
1		Stay insulator

<b>MATERIAL ADDED BY TENDERER</b>		

Total Material Price      R\_\_\_\_\_

DR 22

11KV STAY COMPLETE



2.1.52

### 2.1.53

**TRANSPORT FOR THE INSTALLATION OF \* STAYS, 11 KV  
(EXCLUDING MATERIAL, ERECTION AND DIGGING OF HOLES)**

<b>STRUCTURES</b>	<b>1 - 5</b>	<b>6 - 10</b>	<b>11 - 15</b>	<b>16 - 20</b>	<b>21 - 25</b>	<b>26 - 30</b>	<b>31 - 35</b>	<b>36 - 40</b>	<b>41 - 45</b>	<b>46 - 50</b>	<b>***ADDITIONAL FIVE</b>
<b>**DISTANCE IN KM</b>											
<b>1 - 50</b>	R	R	R	R	R	R	R	R	R	R	R
<b>51 - 100</b>	R	R	R	R	R	R	R	R	R	R	R
<b>101 - 150</b>	R	R	R	R	R	R	R	R	R	R	R

\*Must be according to drawings 22

\*\*Distance from Tzaneen Substation along the road to furthest point of the line that must be built.

\*\*\*EXAMPLE: If the amount tendered for 46 – 50 structures = A, and if the amount tendered for ADDITIONAL FIVE = B then

Cost for 51 – 55 Structures = A + B and  
 Cost for 56 – 60 Structures = A + B + B and  
 Cost for 61 – 65 Structures = A + B + B + B etc.

**LABOUR FOR THE INSTALLATION OF \* STAYS, 11 KV  
(EXCLUDING MATERIAL, TRANSPORT AND DIGGING OF HOLES)**

TOTAL LABOUR OF ONE STAY: R \_\_\_\_\_

-93-

### 2.1.54

**MATERIAL LIST FOR ONE COMPLETE STAY: 33 KV SEE DR 23**

<u>QUANTITY</u>	<u>SIZE</u>	<u>DESCRIPTION</u>
1	20mm	Complete adjustable stay rod, total length of 2,4m
1	19mm	Stay wire
1		Stay bracket
1		Stay plate 450 x 450 x 5mm
2		Thimbles
2		Guy grips
<b>MATERIAL ADDED BY TENDERER</b>		



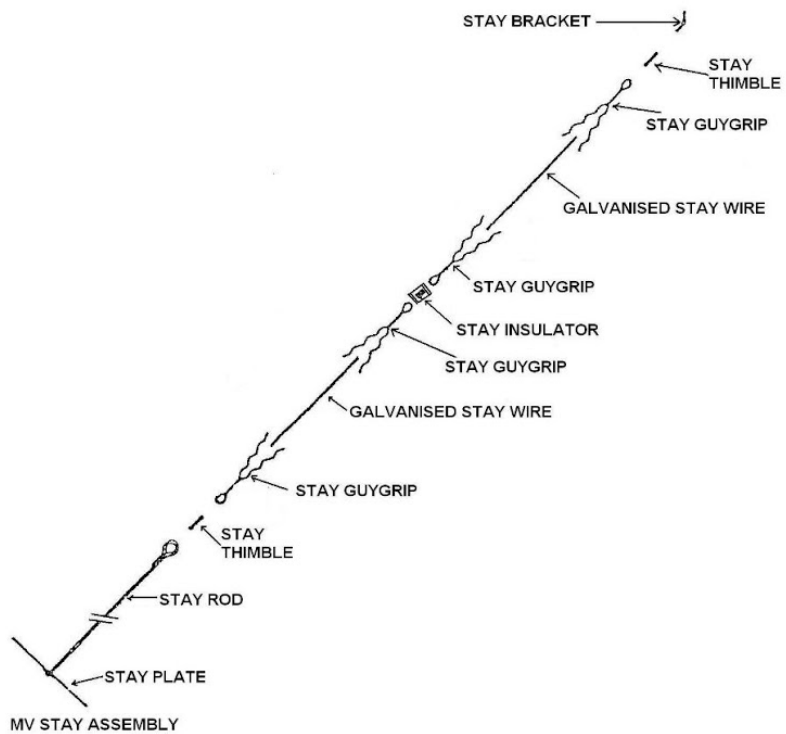
--	--	--

Total Material Price

R\_\_\_\_\_

DR 23

33KV STAY COMPLETE



## 2.1.56

### TRANSPORT FOR THE INSTALLATION OF \* STAYS, 33 KV (EXCLUDING MATERIAL, ERECTION AND DIGGING OF HOLES)

STRUCTURES	1 - 5	6 - 10	11 - 15	16 - 20	21 - 25	26 - 30	31 - 35	36 - 40	41 - 45	46 - 50	***ADDITIONAL FIVE
**DISTANCE IN KM											
1 - 50	R	R	R	R	R	R	R	R	R	R	R
51 - 100	R	R	R	R	R	R	R	R	R	R	R
101 - 150	R	R	R	R	R	R	R	R	R	R	R

\*Must be according to drawings 23

\*\*Distance from Tzaneen Substation along the road to furthest point of the line that must be built.

\*\*\*EXAMPLE: If the amount tendered for 46 – 50 structures = A, and if the amount tendered for ADDITIONAL FIVE = B then

Cost for 51 – 55 Structures = A + B and  
 Cost for 56 – 60 Structures = A + B + B and  
 Cost for 61 – 65 Structures = A + B + B + B etc.

### LABOUR FOR THE INSTALLATION OF \* STAYS, 33 KV (EXCLUDING MATERIAL, TRANSPORT AND DIGGING OF HOLES)

TOTAL LABOUR FOR ONE STAY: R \_\_\_\_\_

## 2.1.57

### MATERIAL LIST FOR ONE FLYING STAY SEE DR 24

<u>QUANTITY</u>	<u>SIZE</u>	<u>DESCRIPTION</u>
1	11m	Wooden pole, top diameter of 150 – 160mm
1	15m	Stay wire
2		Stay bracket
1		Stay insulator
6		Guy grips
4		Thimbles
2	20 x 250	Eye Bolts
1	20mm	Ring nuts

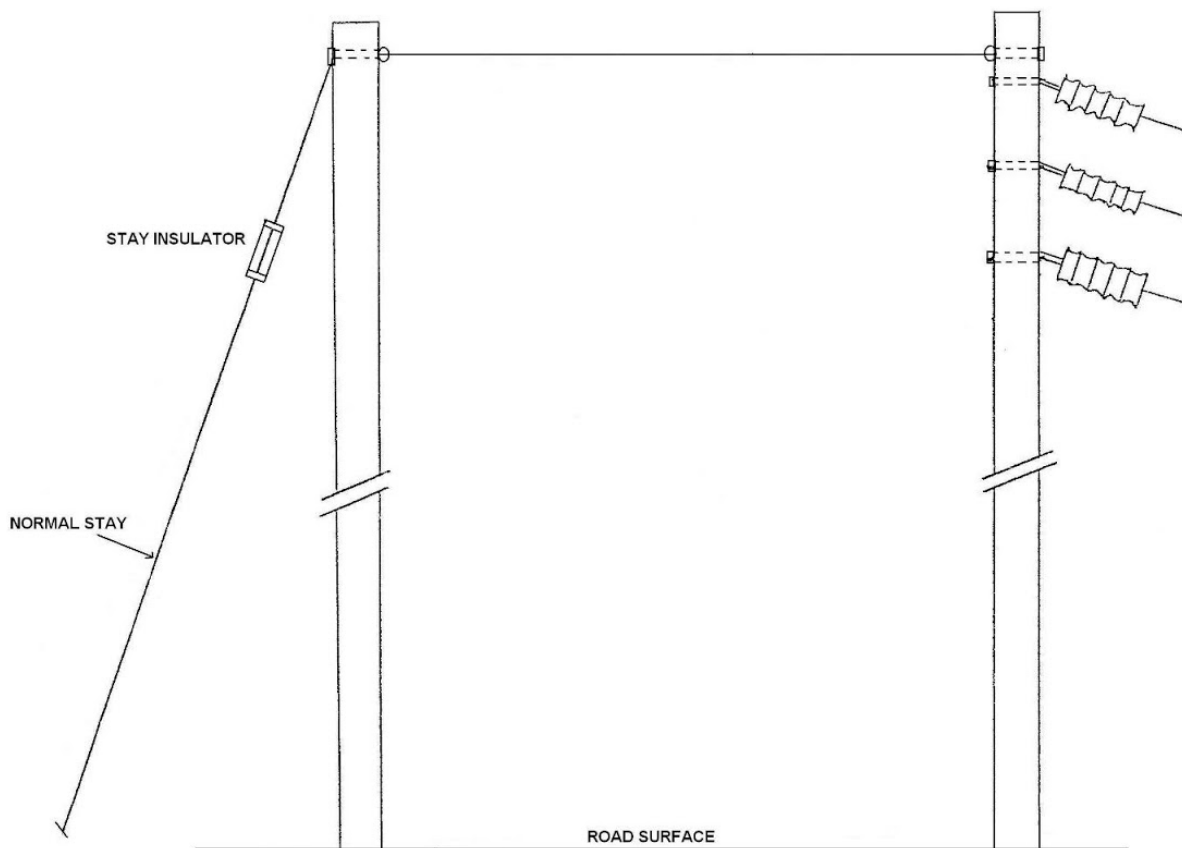
**MATERIAL ADDED BY TENDERER**

--	--	--

Total Material Price

R\_\_\_\_\_

DR 24  
FLYING STAY



## 2.1.59

### TRANSPORT FOR THE INSTALLATION OF FLYING STAYS, 11 KV AND 33 KV (EXCLUDING MATERIAL, ERECTION AND DIGGING OF HOLES)

<b>STRUCTURES</b>	<b>1 - 5</b>	<b>6 - 10</b>	<b>11 - 15</b>	<b>16 - 20</b>	<b>21 - 25</b>	<b>26 - 30</b>	<b>31 - 35</b>	<b>36 - 40</b>	<b>41 - 45</b>	<b>46 - 50</b>	<b>***ADITIONAL FIVE</b>
<b>**DISTANCE IN KM</b>											
<b>1 - 50</b>	R	R	R	R	R	R	R	R	R	R	R
<b>51 - 100</b>	R	R	R	R	R	R	R	R	R	R	R
<b>101 - 150</b>	R	R	R	R	R	R	R	R	R	R	R

\*Must be according to drawings 24

\*\*Distance from Tzaneen Substation along the road to furthest point of the line that must be built.

\*\*\*EXAMPLE: If the amount tendered for 46 – 50 structures = A, and if the amount tendered for ADITIONAL FIVE = B then

Cost for 51 – 55 Structures = A + B and  
 Cost for 56 – 60 Structures = A + B + B and  
 Cost for 61 – 65 Structures = A + B + B + B etc.

### LABOUR FOR THE INSTALLATION OF FLYING STAYS, 11 KV AND 33 KV (EXCLUDING MATERIAL, TRANSPORT AND DIGGING OF HOLES)

TOTAL LABOUR FOR ONE STAY: R \_\_\_\_\_

## 2.1.60

### SINGLE POLE TURN STRUCTURE WITH WOODEN POLE STRUT MATERIAL LIST: 33 KV SEE DR 25

<u>QUANTITY</u>	<u>SIZE</u>	<u>DESCRIPTION</u>
2	14m	Wooden poles, top diameter of 150 – 160mm
1		Stay plate for bottom of strut pole
7		Square washers
4	20 x 250mm	Studs
1		Strut pole bracket
1	15m	Steel wire for earth down the pole to the ground
<b>MATERIAL ADDED BY TENDERER</b>		

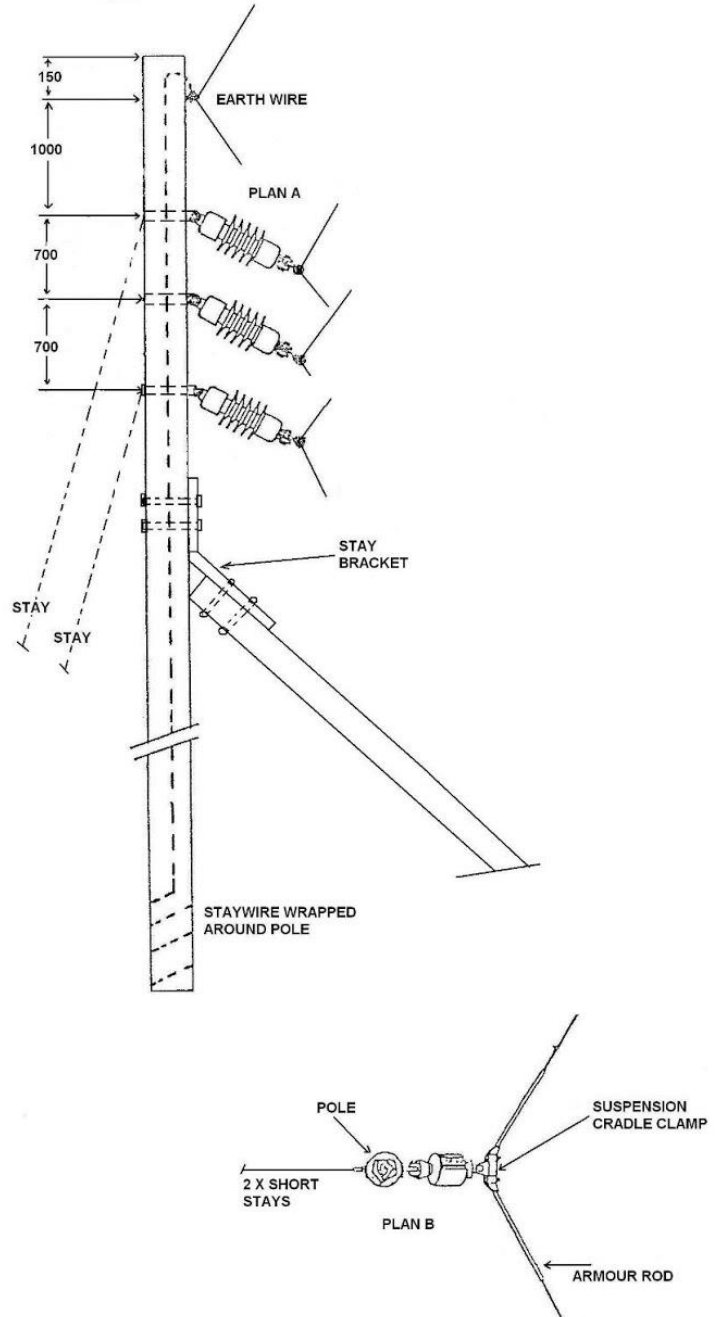
--	--	--

Total Material Price

R\_\_\_\_\_

2.1.61

DR 25  
33KV SINGLE POLE TURN  
WITH WOODEN STRUT  
POLE





## 2.1.62

### TRANSPORT OF WOODEN POLE STRUT FOR SINGLE POLE TURN STRUCTURES (EXCLUDING MATERIAL, ERECTION AND DIGGING OF HOLES)

STRUCTURES	1 - 5	6 - 10	11 - 15	16 - 20	21 - 25	26 - 30	31 - 35	36 - 40	41 - 45	46 - 50	***ADDITIONAL FIVE
**DISTANCE IN KM											
1 - 50	R	R	R	R	R	R	R	R	R	R	R
51 - 100	R	R	R	R	R	R	R	R	R	R	R
101 - 150	R	R	R	R	R	R	R	R	R	R	R

\*Must be according to drawings 25

\*\*Distance from Tzaneen Substation along the road to furthest point of the line that must be built.

\*\*\*EXAMPLE: If the amount tendered for 46 – 50 structures = A, and if the amount tendered for ADDITIONAL FIVE = B then

Cost for 51 – 55 Structures = A + B and  
 Cost for 56 – 60 Structures = A + B + B and  
 Cost for 61 – 65 Structures = A + B + B + B etc.

### LABOUR OF \* WOODEN POLE STRUT FOR SINGLE POLE TURN STRUCTURES (EXCLUDING MATERIAL, TRANSPORT AND DIGGING OF HOLES)

TOTAL LABOUR FOR ONE STAY: R \_\_\_\_\_

## 2.1.63

### TRANSPORT FOR THE STRINGING OF THREE PHASE LINES, 11 KV AND 33 KV (EXCLUDING MATERIAL, ERECTION AND DIGGING OF HOLES)

STRUCTURES	1 - 5	6 - 10	11 - 15	16 - 20	21 - 25	26 - 30	31 - 35	36 - 40	41 - 45	46 - 50	***ADDITIONAL FIVE
**DISTANCE IN KM											
***1 - 50	R	R	R	R	R	R	R	R	R	R	R
51 - 100	R	R	R	R	R	R	R	R	R	R	R
101 - 150	R	R	R	R	R	R	R	R	R	R	R

\*\*Distance from Tzaneen Substation along the road to furthest point of the line that must be built.

\*\*\*EXAMPLE: If the amount tendered for 46 – 50 structures = A, and if the amount tendered for ADITIONAL FIVE = B then

Cost for 51 – 55 Structures = A + B and  
 Cost for 56 – 60 Structures = A + B + B and  
 Cost for 61 – 65 Structures = A + B + B + B etc.

\*\*\* Price in Rand per meter

LABOUR FOR THE STRINGING OF THREE PHASE LINES, 11 KV AND 33 KV  
 (EXCLUDING MATERIAL, TRANSPORT)

TOTAL IN RAND PER \*\*\*METER FOR LABOUR: R \_\_\_\_\_/M

\*\*\*\* **Line distance, not the distance for each phase conductor**

### 2.1.64

TRANSPORT FOR THE STRINGING OF SINGLE PHASE LINES, 11 KV  
 (EXCLUDING MATERIAL AND LABOUR)

STRUCTURES	1 – 5	6 – 10	11 – 15	16 – 20	21 – 25	26 – 30	31 – 35	36 – 40	41 – 45	46 – 50	***ADITIONAL FIVE
**DISTANCE IN KM											
***1 – 50	R	R	R	R	R	R	R	R	R	R	R
51 – 100	R	R	R	R	R	R	R	R	R	R	R
101 – 150	R	R	R	R	R	R	R	R	R	R	R

\*\*Distance from Tzaneen Substation along the road to furthest point of the line that must be built.

\*\*\*EXAMPLE: If the amount tendered for 46 – 50 structures = A, and if the amount tendered for ADITIONAL FIVE = B then

Cost for 51 – 55 Structures = A + B and  
 Cost for 56 – 60 Structures = A + B + B and  
 Cost for 61 – 65 Structures = A + B + B + B etc.

\*\*\* Price in Rand per meter

LABOUR FOR THE STRINGING OF SINGLE PHASE LINES, 11 KV  
 (EXCLUDING MATERIAL, TRANSPORT)

TOTAL IN RAND PER \*\*\*METER FOR LABOUR: R \_\_\_\_\_/M

\*\*\*\* **Line distance, not the distance for each phase conductor**

**2.1.65**

**TRANSPORT FOR THE RECOVERING OF CONDUCTOR ON OVERHEAD LINES, 33 KV THREE PHASE**

(EXCLUDING MATERIAL AND LABOUR)

<b>STRUCTURES</b>	<b>1 - 5</b>	<b>6 - 10</b>	<b>11 - 15</b>	<b>16 - 20</b>	<b>21 - 25</b>	<b>26 - 30</b>	<b>31 - 35</b>	<b>36 - 40</b>	<b>41 - 45</b>	<b>46 - 50</b>	<b>***ADDITIONAL FIVE</b>
<b>**DISTANCE IN KM</b>											
<b>***1 - 50</b>	R	R	R	R	R	R	R	R	R	R	R
<b>51 - 100</b>	R	R	R	R	R	R	R	R	R	R	R
<b>101 - 150</b>	R	R	R	R	R	R	R	R	R	R	R

\*\*\*Distance from Tzaneen Substation along the road to furthest point of the line that must be built.

\*\*EXAMPLE: If the amount tendered for 46 – 50 structures = A, and if the amount tendered for ADITIONAL FIVE = B then

Cost for 51 – 55 Structures = A + B and  
 Cost for 56 – 60 Structures = A + B + B and  
 Cost for 61 – 65 Structures = A + B + B + B etc.

\*\*\* Price in Rand per meter

**LABOUR FOR THE RECOVERING OF CONDUCTOR ON OVERHEAD LINES, 33 KV THREE PHASE – EARTH WIRE INCLUDED.**

(EXCLUDING MATERIAL AND TRANSPORT)

TOTAL IN RAND PER \*\*\*METER FOR LABOUR: R \_\_\_\_\_/M

\*\*\*\* Line distance, not the distance for each phase conductor

**LABOUR FOR THE RECOVERING OF CONDUCTOR ON OVERHEAD LINES, 11 KV THREE PHASE**

TOTAL IN RAND PER \*\*\*METER: R \_\_\_\_\_/M

**LABOUR FOR THE RECOVERING OF CONDUCTOR ON OVERHEAD LINES, 11KV SINGLE PHASE**

TOTAL IN RAND PER\*\*\*METER: R \_\_\_\_\_/M

\*\*\*\*Line distance, not the distance for each phase conductor.

Provision must be made in the price for all materials to be delivered at the stores.

LABOUR FOR THE RECOVERING OF CONDUCTOR ON OVERHEAD LINES, 11 KV THREE PHASE

TOTAL IN RAND PER \*\*\*METER: R\_\_\_\_\_ /M

LABOUR FOR THE RECOVERING OF CONDUCTOR ON OVERHEAD LINES, 11KV SINGLE PHASE

TOTAL IN RAND PER\*\*\*METER: R\_\_\_\_\_ /M

\*\*\*Line distance, not the distance for each phase conductor.

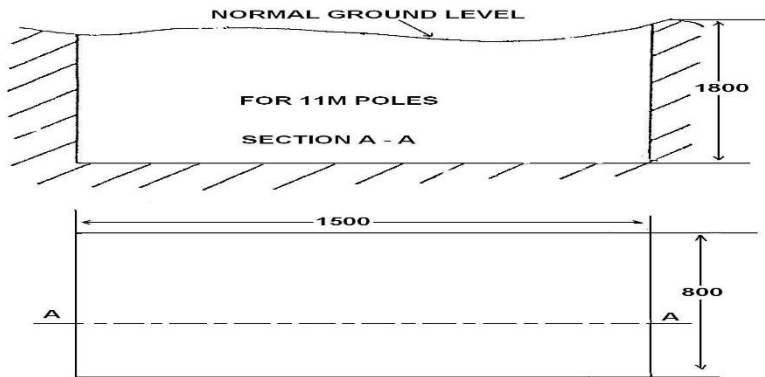
Provision must be made in the price for all materials to be delivered at the stores.

2.1.66

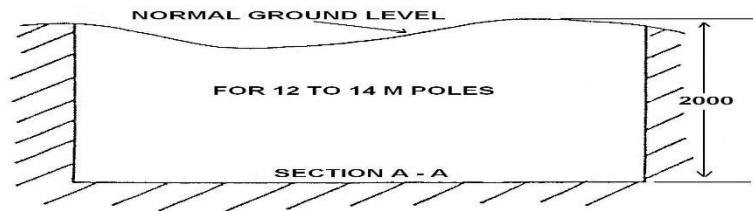
**DR 26 & 27**

CONDUCTOR MATERIAL LIST

DESCRIPTION	PRICE: RAND/METER
SQUIRREL: 6/1/2.11	
RABBIT: 6/1/3.35	
HARE: 6/1/4.72	



**DR 26**



**DR 27**

2.1.67

**TRANSPORT FOR THE DIGGING OF \*HOLES IN HARD ROCK, 33 KV**

STRUCTURES	1 - 5	6 - 10	11 - 15	16 - 20	21 - 25	26 - 30	31 - 35	36 - 40	41 - 45	46 - 50	***ADITIONAL FIVE
**DISTANCE IN KM											
<b>1 - 50</b>	R	R	R	R	R	R	R	R	R	R	R
<b>51 - 100</b>	R	R	R	R	R	R	R	R	R	R	R
<b>101 - 150</b>	R	R	R	R	R	R	R	R	R	R	R

\*Must be according to DR 27

\*\*Distance from Tzaneen Substation along the road to furthest point of the line that must be built.

\*\*\*EXAMPLE: If the amount tendered for 46 – 50 structures = A, and if the amount tendered for ADITIONAL FIVE = B then

Cost for 51 – 55 Structures = A + B and  
 Cost for 56 – 60 Structures = A + B + B and  
 Cost for 61 – 65 Structures = A + B + B + B etc.

LABOUR AND ALL WORK WITH COMPRESSOR ETC. FOR THE DIGGING OF \*HOLES IN HARD GROUND, 33 KV

TOTAL LABOUR FOR ONE HOLE R\_\_\_\_\_

**2.1.68**

**TRANSPORT FOR THE DIGGING OF \*HOLES IN PICKABLE GROUND, 33 KV**

<b>STRUCTURES</b>	<b>1 – 5</b>	<b>6 – 10</b>	<b>11 – 15</b>	<b>16 – 20</b>	<b>21 – 25</b>	<b>26 – 30</b>	<b>31 – 35</b>	<b>36 – 40</b>	<b>41 – 45</b>	<b>46 – 50</b>	<b>***ADITIONAL FIVE</b>
<b>**DISTANCE IN KM</b>											
<b>1 – 50</b>	R	R	R	R	R	R	R	R	R	R	R
<b>51 – 100</b>	R	R	R	R	R	R	R	R	R	R	R
<b>101 – 150</b>	R	R	R	R	R	R	R	R	R	R	R

\*Must be according to DR 27

\*\*Distance from Tzaneen Substation along the road to furthest point of the line that must be built.

\*\*\*EXAMPLE: If the amount tendered for 46 – 50 structures = A, and if the amount tendered for ADITIONAL FIVE = B then

Cost for 51 – 55 Structures = A + B and  
 Cost for 56 – 60 Structures = A + B + B and  
 Cost for 61 – 65 Structures = A + B + B + B etc.

LABOUR AND ALL WORK WITH COMPRESSOR ETC. FOR THE DIGGING OF \*HOLES IN PICKABLE GROUND, 33 KV

TOTAL LABOUR FOR ONE HOLE R\_\_\_\_\_

**2.1.69**

**TRANSPORT FOR THE DIGGING OF \*HOLES IN GROUND, 33 KV**

<b>STRUCTURES</b>	<b>1 – 5</b>	<b>6 – 10</b>	<b>11 – 15</b>	<b>16 – 20</b>	<b>21 – 25</b>	<b>26 – 30</b>	<b>31 – 35</b>	<b>36 – 40</b>	<b>41 – 45</b>	<b>46 – 50</b>	<b>***ADDITIONAL FIVE</b>
<b>**DISTANCE IN KM</b>											
<b>1 – 50</b>	R	R	R	R	R	R	R	R	R	R	R
<b>51 – 100</b>	R	R	R	R	R	R	R	R	R	R	R
<b>101 – 150</b>	R	R	R	R	R	R	R	R	R	R	R

\*Must be according to DR 27

\*\*Distance from Tzaneen Substation along the road to furthest point of the line that must be built.

\*\*\*EXAMPLE: If the amount tendered for 46 – 50 structures = A, and if the amount tendered for ADDITIONAL FIVE = B then

Cost for 51 – 55 Structures = A + B and  
 Cost for 56 – 60 Structures = A + B + B and  
 Cost for 61 – 65 Structures = A + B + B + B etc.

**LABOUR AND ALL WORK WITH COMPRESSOR ETC. FOR THE DIGGING OF \*HOLES IN GROUND, 33 KV**

TOTAL LABOUR FOR ONE HOLE R\_\_\_\_\_

**2.1.70**

**TRANSPORT FOR THE DIGGING OF \*HOLES IN HARD ROCK, 11 KV**

<b>STRUCTURES</b>	<b>1 – 5</b>	<b>6 – 10</b>	<b>11 – 15</b>	<b>16 – 20</b>	<b>21 – 25</b>	<b>26 – 30</b>	<b>31 – 35</b>	<b>36 – 40</b>	<b>41 – 45</b>	<b>46 – 50</b>	<b>***ADDITIONAL FIVE</b>
<b>**DISTANCE IN KM</b>											
<b>1 – 50</b>	R	R	R	R	R	R	R	R	R	R	R
<b>51 – 100</b>	R	R	R	R	R	R	R	R	R	R	R
<b>101 – 150</b>	R	R	R	R	R	R	R	R	R	R	R

\*Must be according to DR 26

\*\*Distance from Tzaneen Substation along the road to furthest point of the line that must be built.

\*\*\*EXAMPLE: If the amount tendered for 46 – 50 structures = A, and if the amount tendered for ADITIONAL FIVE = B then

Cost for 51 – 55 Structures = A + B and  
 Cost for 56 – 60 Structures = A + B + B and  
 Cost for 61 – 65 Structures = A + B + B + B etc.

LABOUR AND ALL WORK WITH COMPRESSOR ETC. FOR THE DIGGING OF \*HOLES IN HARD GROUND, 11 KV

TOTAL LABOUR FOR ONE HOLE R\_\_\_\_\_

**2.1.71**

**TRANSPORT FOR THE DIGGING OF \*HOLES IN PICKABLE GROUND, 11 KV**

<b>STRUCTURES</b>	<b>1 – 5</b>	<b>6 – 10</b>	<b>11 – 15</b>	<b>16 – 20</b>	<b>21 – 25</b>	<b>26 – 30</b>	<b>31 – 35</b>	<b>36 – 40</b>	<b>41 – 45</b>	<b>46 – 50</b>	<b>***ADITIONAL FIVE</b>
<b>**DISTANCE IN KM</b>											
<b>1 – 50</b>	R	R	R	R	R	R	R	R	R	R	R
<b>51 – 100</b>	R	R	R	R	R	R	R	R	R	R	R
<b>101 – 150</b>	R	R	R	R	R	R	R	R	R	R	R

\*Must be according to DR 26

\*\*Distance from Tzaneen Substation along the road to furthest point of the line that must be built.

\*\*\*EXAMPLE: If the amount tendered for 46 – 50 structures = A, and if the amount tendered for ADITIONAL FIVE = B then

Cost for 51 – 55 Structures = A + B and  
 Cost for 56 – 60 Structures = A + B + B and  
 Cost for 61 – 65 Structures = A + B + B + B etc.

LABOUR AND ALL WORK WITH COMPRESSOR ETC. FOR THE DIGGING OF \*HOLES IN PICKABLE GROUND, 11 KV

TOTAL LABOUR FOR ONE HOLE R\_\_\_\_\_

**2.1.72**

**TRANSPORT FOR THE DIGGING OF \*HOLES IN GROUND, 11 KV**



<b>STRUCTURES</b>	<b>1 - 5</b>	<b>6 - 10</b>	<b>11 - 15</b>	<b>16 - 20</b>	<b>21 - 25</b>	<b>26 - 30</b>	<b>31 - 35</b>	<b>36 - 40</b>	<b>41 - 45</b>	<b>46 - 50</b>	<b>***ADDITIONAL FIVE</b>
<b>**DISTANCE IN KM</b>											
<b>1 - 50</b>	R	R	R	R	R	R	R	R	R	R	R
<b>51 - 100</b>	R	R	R	R	R	R	R	R	R	R	R
<b>101 - 150</b>	R	R	R	R	R	R	R	R	R	R	R

\*Must be according to DR 26

\*\*Distance from Tzaneen Substation along the road to furthest point of the line that must be built.

\*\*\*EXAMPLE: If the amount tendered for 46 – 50 structures = A, and if the amount tendered for ADDITIONAL FIVE = B then

Cost for 51 – 55 Structures = A + B and  
 Cost for 56 – 60 Structures = A + B + B and  
 Cost for 61 – 65 Structures = A + B + B + B etc.

LABOUR AND ALL WORK WITH COMPRESSOR ETC. FOR THE DIGGING OF \*HOLES IN GROUND, 11 KV

TOTAL LABOUR FOR ONE HOLE R\_\_\_\_\_

### 2.1.73

**TRANSPORT FOR THE STRINGING OF SINGLE EARTH CONDUCTOR ON OVERHEAD LINES, 33 KV THREE PHASE**

<b>STRUCTURES</b>	<b>1 - 5</b>	<b>6 - 10</b>	<b>11 - 15</b>	<b>16 - 20</b>	<b>21 - 25</b>	<b>26 - 30</b>	<b>31 - 35</b>	<b>36 - 40</b>	<b>41 - 45</b>	<b>46 - 50</b>	<b>***ADDITIONAL FIVE</b>
<b>**DISTANCE IN KM</b>											
<b>1 - 50</b>	R	R	R	R	R	R	R	R	R	R	R
<b>51 - 100</b>	R	R	R	R	R	R	R	R	R	R	R
<b>101 - 150</b>	R	R	R	R	R	R	R	R	R	R	R

\*\*Distance from Tzaneen Substation along the road to furthest point of the line that must be built.

\*\*\*EXAMPLE: If the amount tendered for 46 – 50 structures = A, and if the amount tendered for ADDITIONAL FIVE = B then

Cost for 51 – 55 Structures = A + B and  
 Cost for 56 – 60 Structures = A + B + B and  
 Cost for 61 – 65 Structures = A + B + B + B etc.

\*\*\*Price in Rand per meter.

LABOUR FOR THE STRINGING OF SINGLE EARTH CONDUCTOR (RABBIT 0.05) ON OVERHEAD LINES, 33 KV THREE PHASE  
 (EXCLUDING MATERIAL AND TRANSPORT)

TOTAL LABOUR IN RAND PER \*\*\*METER R\_\_\_\_\_/M

**2.1.74**

**SINGLE POLE STRAIN STRUCTURE WITH FUSE LINKS MATERIAL LIST: 11 KV THREE PHASE SEE DR 28**

(EX-CLUDING STAYS AND CONDUCTOR)

<u>QUANTITY</u>	<u>SIZE</u>	<u>DESCRIPTION</u>
1		Wooden poles, top diameter of 160 – 180mm
6		22 KV Composite insulators, Elbroc type or similar as * approved
3	20mm	Eyebolts
6	0.05	PG Clamps
3		Ring nuts
6		Square washers
6		Tower hooks
6		Dead ends for “RABBIT” conductor
6		Thimbles for “RABBIT” conductor
3		22kV Post Insulators
3		Twin ties
3		22kV Complete fuse base with sticks
6		16mm Merlugs
1	1.2m	Angle Iron
1	20 x 250	Studs
<b>MATERIAL ADDED BY TENDERER</b>		

\* As approved by the employer

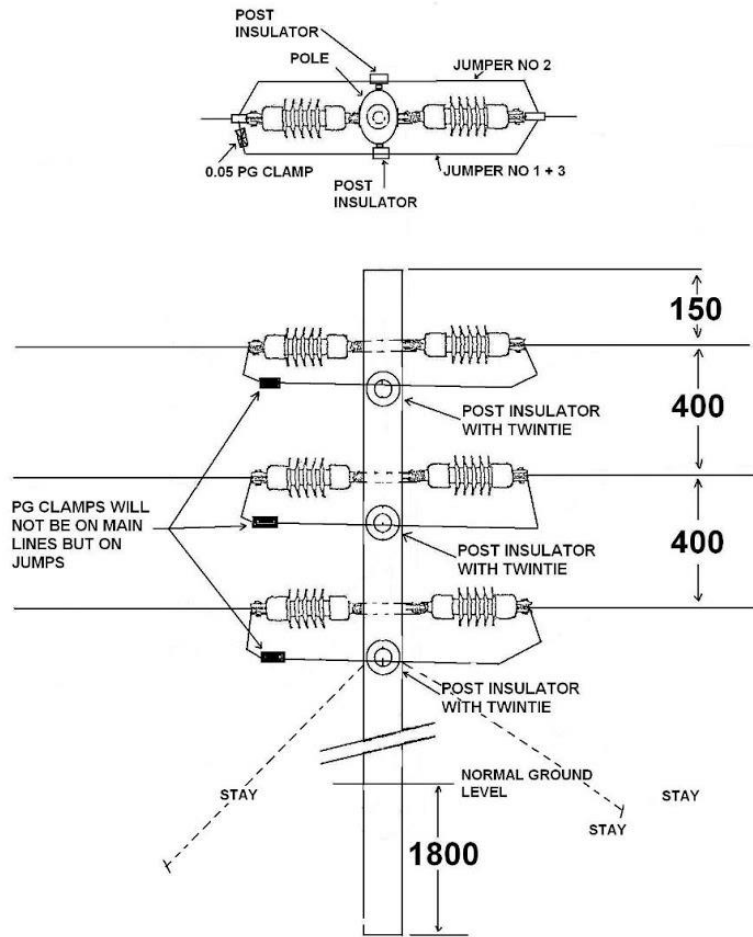
TOTAL MATERIAL PRICE

<b>POLE SIZE</b>	<b>RABBIT CONDUCTOR</b>
11m	R
12m	R
14m	R

2.1.75

DR 28

11KV SINGLE POLE STRAIN  
STRUCTURE



**SINGLE TERMINATION POLE: 11 KV THREE PHASE SEE DR 29**

(EX-CLUDING STAYS AND CONDUCTOR)

<b>QUANTITY</b>	<b>SIZE</b>	<b>DESCRIPTION</b>
1	11m	Wooden poles, top diameter of 160 – 180mm
3		22 kV Composite insulators, Sediver ADI 05 Type or similar as approved
3	20mmx 250mm	Galvanized eye bolts cw2 locknuts
6	20mm	Square washers Galvanized Curved
3		Tower Hooks Galvanized
3		Clevis Thimbles
3	Rabbit	Pre-Form dead ends
3	Rabbit (.05)	
<b>MATERIAL ADDED BY TENDERER</b>		

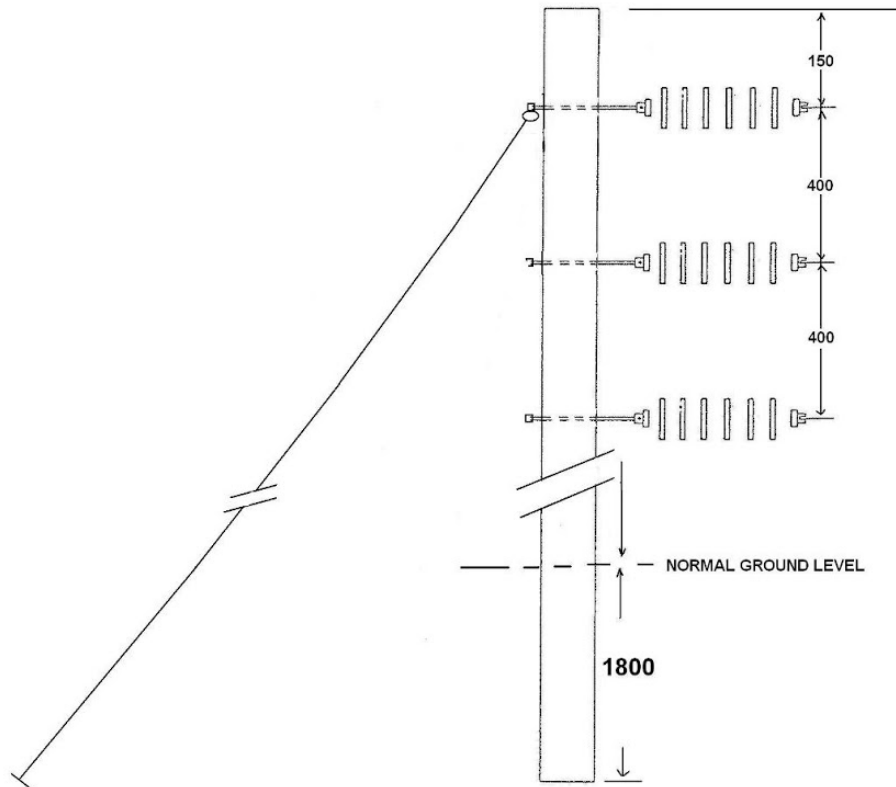
TOTAL MATERIAL PRICE

<b>POLE SIZE</b>	<b>RABBIT CONDUCTOR</b>
11m	R
12m	R
14m	R

Erection of a single termination 11 kV pole – 3 phase  
(Excluding material transport and digging of holes)

TOTAL LABOUR FOR ONE STRUCTURE R\_\_\_\_\_

DR 29  
11KV THREE PHASE  
SINGLE TERMINATION  
POLE



2.1.78

**SINGLE TERMINATION POLE: 11 KV SINGLE PHASE SEE DR 30**

(EX-CLUDING STAYS AND CONDUCTOR)

<b>QUANTITY</b>	<b>SIZE</b>	<b>DESCRIPTION</b>
1		Wooden poles, top diameter of 160 – 180mm
2		22 kV Composite insulators, Sediver ADI 05 Type or similar *as approved
2	75 X 75mm	Galvanized Eyebolts cw2 locknuts
4		Square washers galvanized curved
2		Tower Hooks Galvanized
2		Clevis Thimbles
2	20 x 250mm	Pre-Form dead ends
<b>MATERIAL ADDED BY TENDERER</b>		

\* As approved by the employer

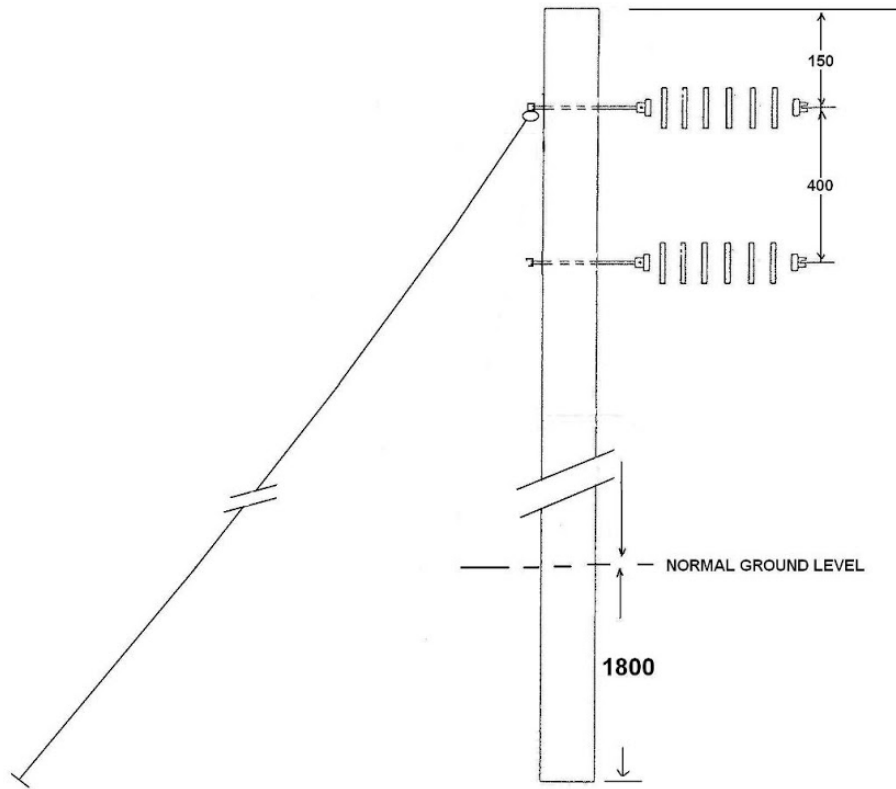
TOTAL MATERIAL PRICE

<b>POLE SIZE</b>	<b>RABBIT CONDUCTOR</b>
11m	R
12m	R
14m	R

Erection of a single termination 11 kV pole – single phase (excluding material transport and digging of holes)

TOTAL LABOUR FOR ONE STRUCTURE R\_\_\_\_\_

**DR 30**  
**11KV SINGLE PHASE**  
**SINGLE TERMINATION**  
**POLE**



**2.1.80**



**AUTO RECLOSER OUT OF LINE INSTALLATION WITH FUSE LINKS: 11 KV THREE PHASE  
SEE DR 31**

**(With use for Auto Recloser installations – see detail in drawing)  
(EXCLUDING STAYS, CONDUCTOR, AUTO RECLOSER, TRANSFORMER)**

<u>QUANTITY</u>	<u>SIZE</u>	<u>DESCRIPTION</u>
1	13m	Wooden poles, top diameter of 160 – 180mm
1	11m	Wooden poles, top diameter of 160 – 180mm
2	2.0m	Wooden Cross Arm
4	22kV	Porcelain insulators
3	22kV	Fuse base units complete
4	Rabbit (.05)	Pre-form twin ties
12	20mm	Square washers Galvanized curved
3	20mm x 250mm	Galvanized studs
3	22kV	“S” Brackets
3	20mm x 250mm	Galvanized Bolts
6	.05 Rabbit	PG Clamps
6	16mm	Merlugs
<b>MATERIAL ADDED BY TENDERER</b>		

\* As approved by the employer

TOTAL MATERIAL PRICE

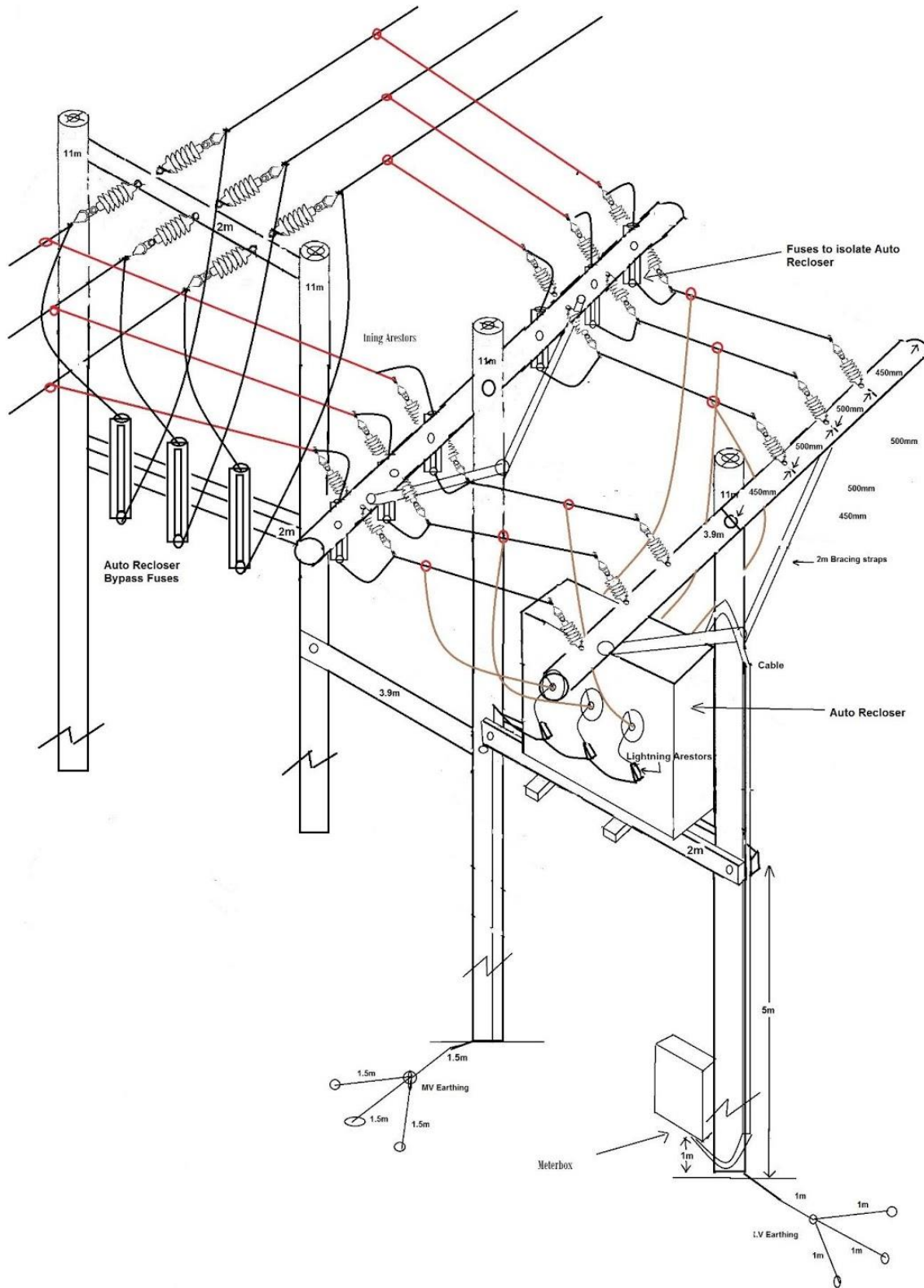
<b>POLE SIZE</b>	<b>RABBIT CONDUCTOR</b>
10m	R
11m	R
13m	R

Erection of a 13m construction with 11m H-pole for 11 kV lines (Excluding material transport and digging of holes)

TOTAL LABOUR FOR ONE STRUCTURE R\_\_\_\_\_

# DR 31

## AUTO RECLOSER OUT OF LINE INSTALLATION ON 11KV LINES



**2.1.82**

**SINGLE PHASE T-OFF STRUCTURE: 11 KV SEE DR 32**

(EX-CLUDING STAYS AND CONDUCTOR)

<u>QUANTITY</u>	<u>SIZE</u>	<u>DESCRIPTION</u>
1	11m	Wooden poles, top diameter of 160 – 180mm
6	22kV	Composite Insulators. Sediver ADI 05 Type or similar as approved
4	20mm x 250mm	Eye bolts c/w 2 lock nuts
12	20mm	Square washers galvanized curved
6	11kV	Clevis Thimbles
6		Tower Hooks
8	0.05 Rabbit	PG Clamps
6	Rabbit (.05)	Pre-form dead ends
2	20mm x 250mm	Ring (eye) nuts
1	900mm	Angle Iron + Bracing strap
2		22kV complete fuse base with links
4	16mm	Merlugs
<b>MATERIAL ADDED BY TENDERER</b>		

TOTAL MATERIAL PRICE

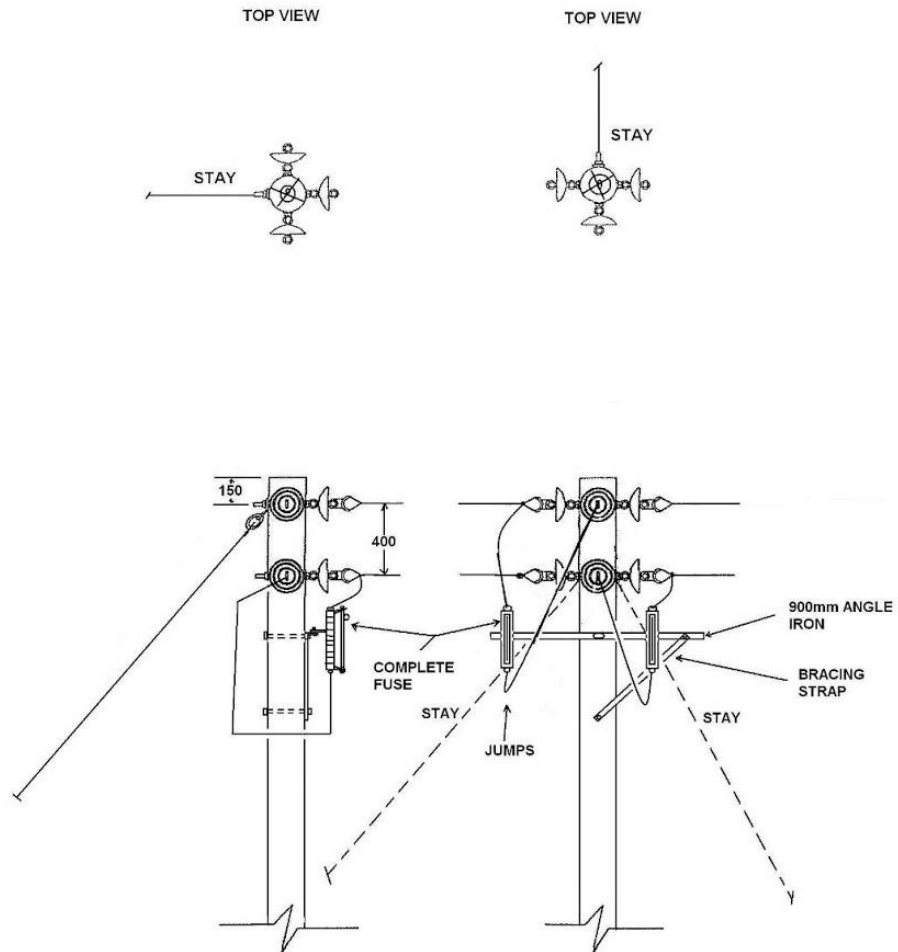
<b>POLE SIZE</b>	<b>RABBIT CONDUCTOR</b>
11m	R
12m	R
14m	R

Erection of a single phase T-off structure, (Excluding material transport and digging of holes)

TOTAL LABOUR OF ONE STRUCTURE R\_\_\_\_\_

**2.1.83**

**DR 32**  
**11KV SINGLE PHASE T-OFF**  
**WITH FUSE LINKS**



**11M 3 PHASE “T” OFF STRUCTURE WITH FUSE LINKS: 11 KV SEE DR 33**

(EX-CLUDING STAYS AND CONDUCTOR)

<b><u>QUANTITY</u></b>	<b><u>SIZE</u></b>	<b><u>DESCRIPTION</u></b>
1	11m	Wooden poles, top diameter of 160 – 180mm
9	22kV	Composite Insulator. Sediver ADI 05 Type or similar as approved
6	20mm x 250mm	Eyebolts c/w2 lock nuts
3	20mm x 250mm	Galvanized Studs
12	20mm	Square washers Galvanized curved
9	11kV	Clevis Thimbles
9		Tower Hooks
6	.05 Rabbit	PG – Clamps
9	Rabbit (.05)	Pre-form dead ends
6	20mm x 250mm	Ring (eye) nuts
1	1.2m	Angle Iron + Bracing Strap
3		22kV complete fuse base with links
6		Merlugs
3		Ring nuts
<b>MATERIAL ADDED BY TENDERER</b>		

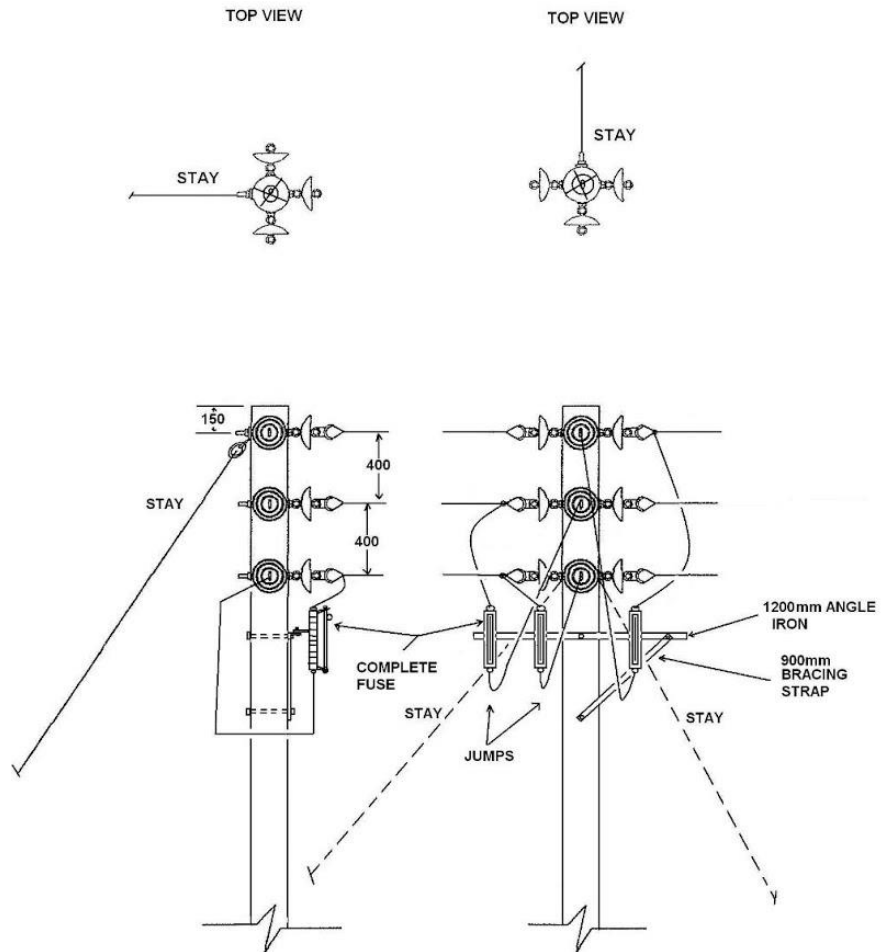
TOTAL MATERIAL PRICE

<b>POLE SIZE</b>	<b>RABBIT CONDUCTOR</b>
11m	R
12m	R
14m	R

Erection of an 11 kV three phase T-Off structure. (Excluding material, transport and digging of holes)

TOTAL LABOUR FOR ONE STRUCTURE R\_\_\_\_\_

**DR 33**  
**11KV THREE PHASE T-OFF**  
**WITH FUSE LINKS**



**11KV OUT OF LINE THREE PHASE TRANSFORMER INSTALLATION BIGGER THAN 100KVA:  
SEE DR 33A**

**(Use for Transformer installations – see detail in drawing)  
(EXCLUDING STAYS, CONDUCTOR, AUTO RECLOSER, TRANSFORMER)**

<u>QUANTITY</u>	<u>SIZE</u>	<u>DESCRIPTION</u>
2	11m	Wooden poles, top diameter of 160 – 180mm
2	10m	Wooden poles, top diameter of 160 – 180mm
1	3.9m	Wooden Cross arm
2	2.0m	Wooden Cross Arm
6	22kV	L-Brock insulators
3	22kV	Fuse base units complete
7	2m	Steel Cross arms
3	22kV	Lightning Arrestors
12	20mm	Square washers Galvanized curved
13	20mm x 350mm	Galvanized studs with nuts
3	22kV	“S” Brackets
6	20mm x 250mm	Galvanized Bolts
6	.05 Rabbit	PG Clamps
12	16mm	Merlugs
<b>MATERIAL ADDED BY TENDERER</b>		

\* As approved by the employer

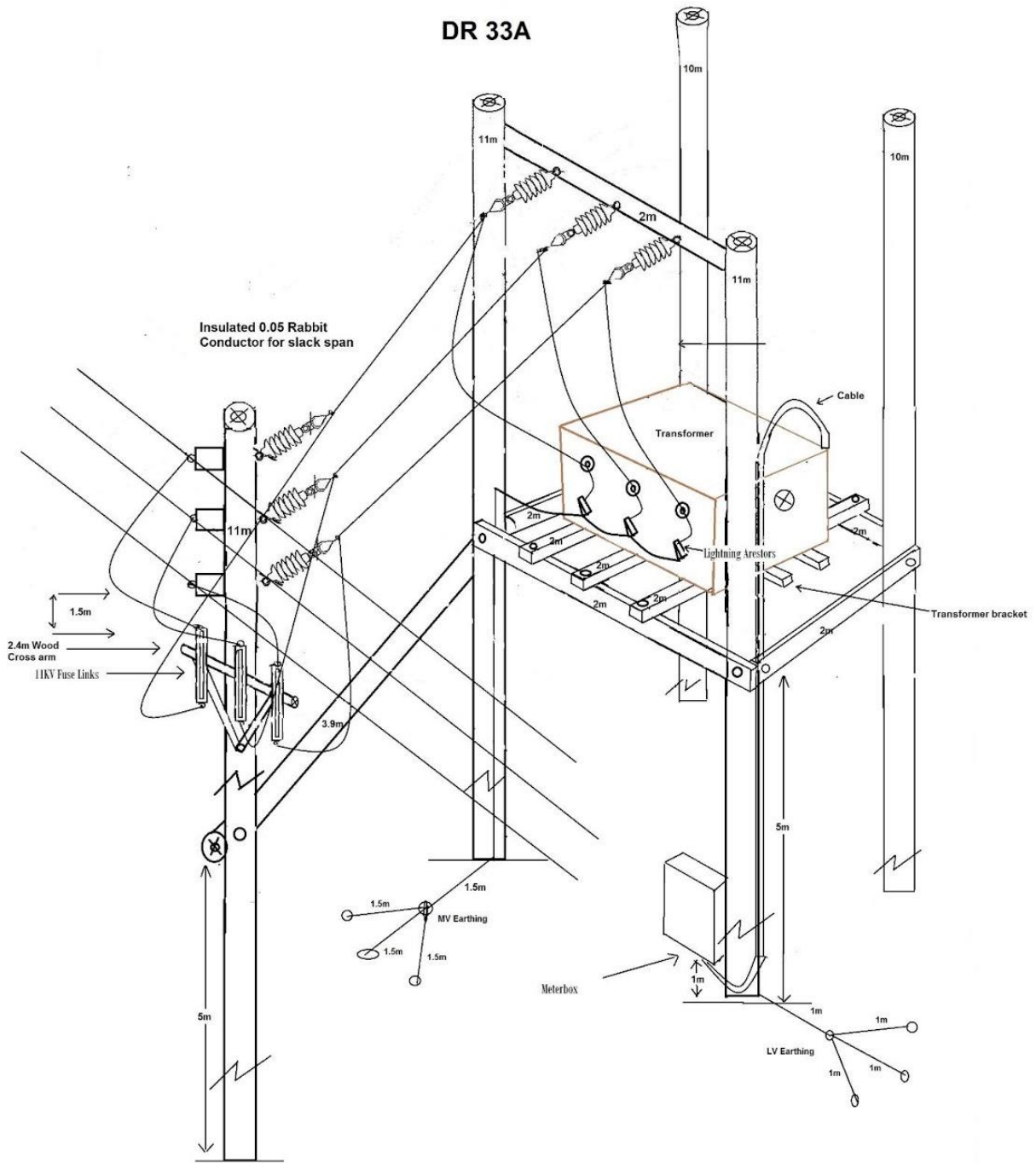
TOTAL MATERIAL PRICE

<b>POLE SIZE</b>	<b>RABBIT CONDUCTOR</b>
10m	R
11m	R
13m	R

Erection of an 11kv Four-Pole Transformer Installation (Excluding material transport and digging of holes)

TOTAL LABOUR FOR ONE STRUCTURE R\_\_\_\_\_

DR 33A



**11KV 3 phase Out of Line Transformer connection for connections bigger than 100kva**



**11KV OUT OF LINE THREE PHASE TRANSFORMER INSTALLATION FOR 25KVA UP TO 100KVA: SEE DR 33B**

**(Use for Transformer installations – see detail in drawing)  
(EXCLUDING STAYS, CONDUCTOR, AUTO RECLOSER, TRANSFORMER)**

<u>QUANTITY</u>	<u>SIZE</u>	<u>DESCRIPTION</u>
2	11m	Wooden poles, top diameter of 160 – 180mm
1	3.9m	Wooden Cross arm
2	2.0m	Wooden Cross Arm
6	22kV	L-Broc insulators
3	22kV	Fuse base units complete
2	2m	Steel Cross arms
3	22kV	Lightning Arestors
12	20mm	Square washers Galvanized curved
8	20mm x 350mm	Galvanized studs with nuts
3	22kV	“S” Brackets
3	20mm x 250mm	Galvanized Bolts
6	.05 Rabbit	PG Clamps
12	16mm	Merlugs
<b>MATERIAL ADDED BY TENDERER</b>		

\* As approved by the employer

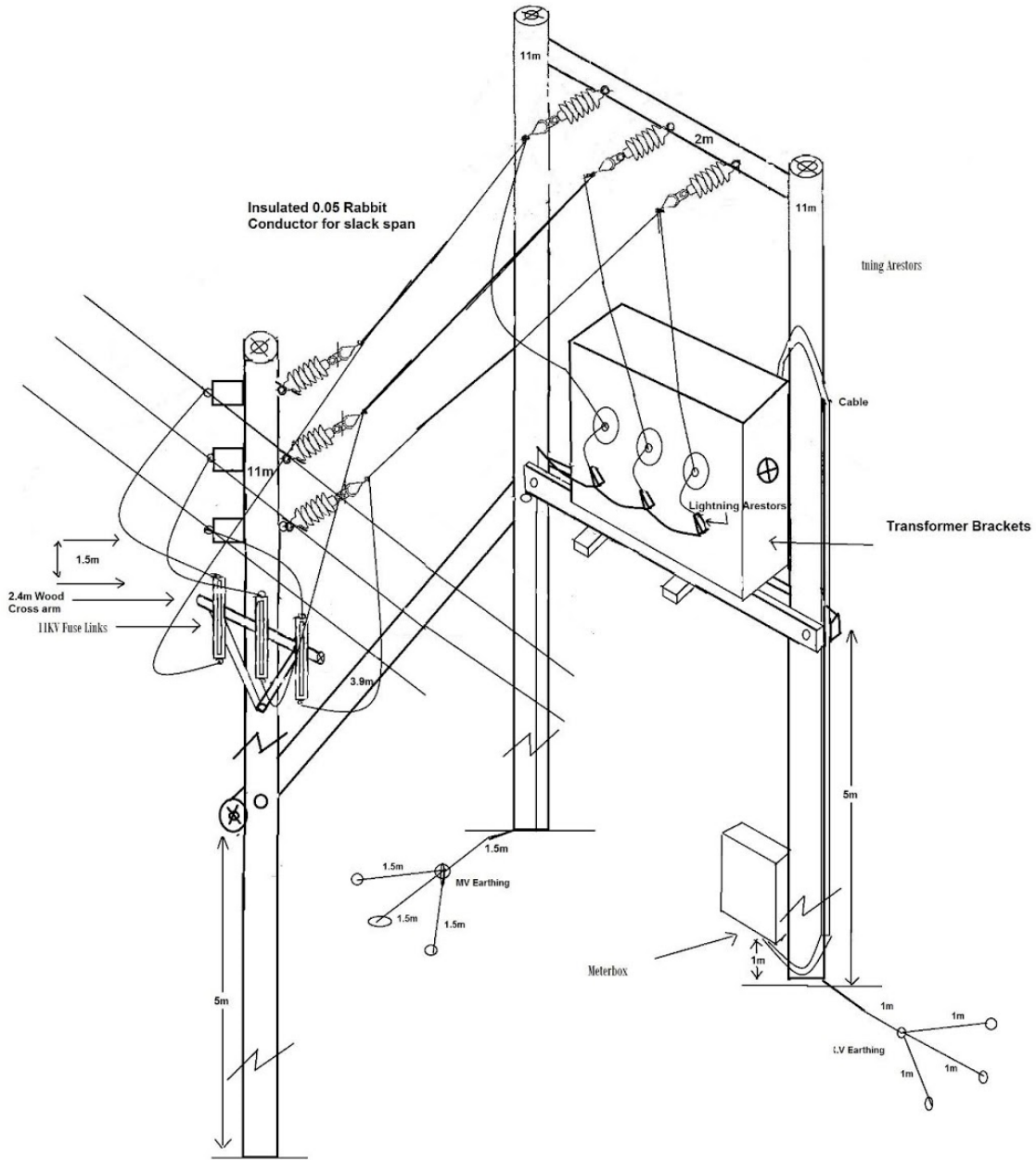
**TOTAL MATERIAL PRICE**

<b>POLE SIZE</b>	<b>RABBIT CONDUCTOR</b>
<b>10m</b>	<b>R</b>
<b>11m</b>	<b>R</b>
<b>13m</b>	<b>R</b>

**Erection of an 11kv Transformer Installation (Excluding material transport and digging of holes)**

**TOTAL LABOUR OF ONE STRUCTURE R\_\_\_\_\_**

DR 33B



11KV 3 phase Out of Line Transformer connection

**11KV OUT OF LINE SINGLE PHASE TRANSFORMER INSTALLATION: SEE DR 33C**  
**(Use for Transformer installations – see detail in drawing)**  
**(EXCLUDING STAYS, CONDUCTOR, AUTO RECLOSER, TRANSFORMER)**

<u>QUANTITY</u>	<u>SIZE</u>	<u>DESCRIPTION</u>
1	11m	Wooden poles, top diameter of 160 – 180mm
1	3.9m	Wooden Cross arm
2	2.0m	Wooden Cross Arm
4	22kV	L-Brock insulators
2	22kV	Fuse base units complete
2	22kV	Lightning Arrestors
8	20mm	Square washers Galvanized curved
8	20mm x 350mm	Galvanized studs with nuts
2	22kV	“S” Brackets
3	20mm x 250mm	Galvanized Bolts
4	.05 Rabbit	PG Clamps
8	16mm	Merlugs
<b>MATERIAL ADDED BY TENDERER</b>		

\* As approved by the employer

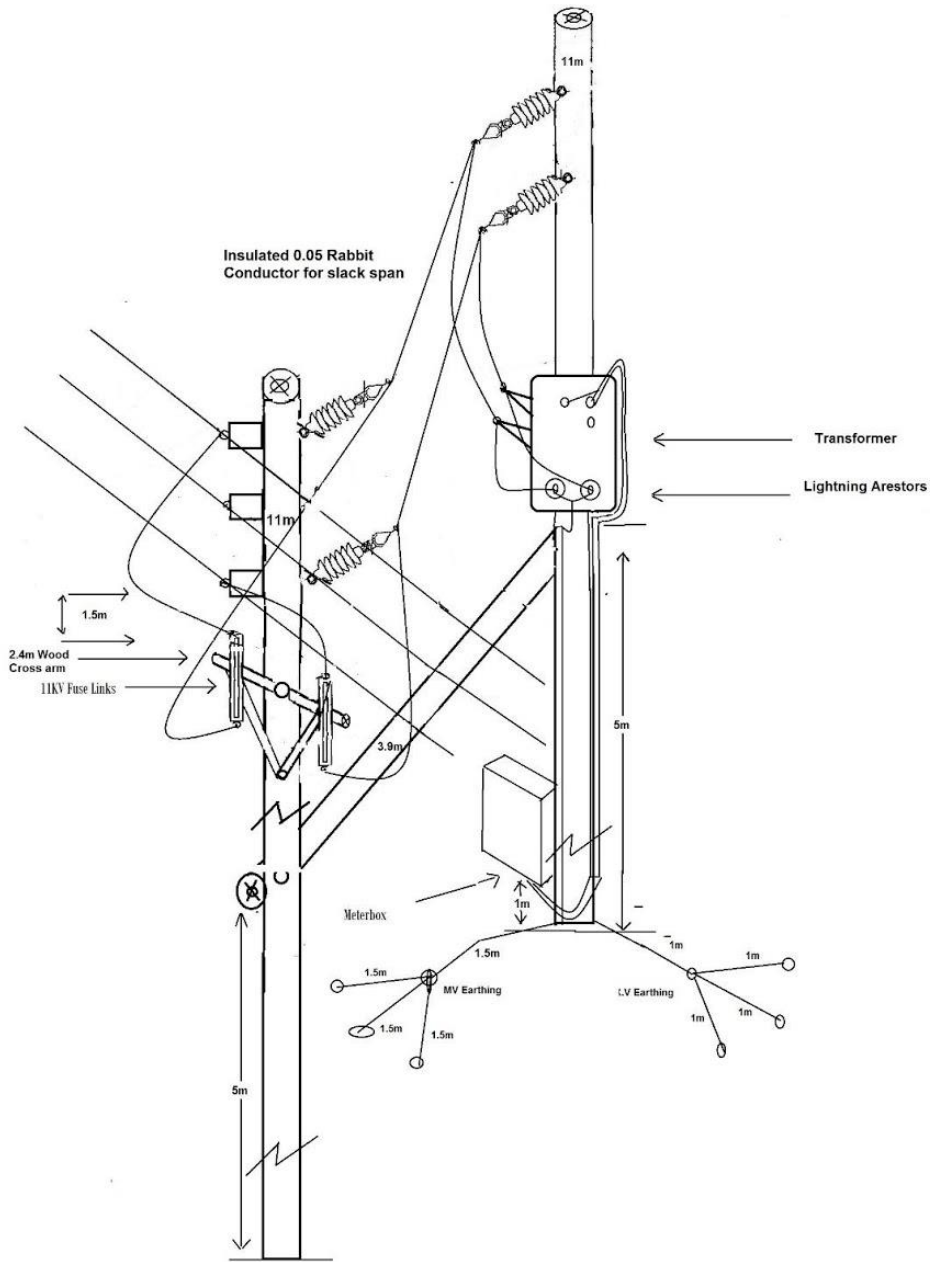
**TOTAL MATERIAL PRICE**

<b>POLE SIZE</b>	<b>RABBIT CONDUCTOR</b>
<b>10m</b>	<b>R</b>
<b>11m</b>	<b>R</b>
<b>13m</b>	<b>R</b>

**Erection of an 11kv Transformer Installation (Excluding material transport and digging of holes)**

**TOTAL LABOUR OF ONE STRUCTURE R\_\_\_\_\_**

DR 33C



**11KV Single phase Out of Line Transformer connection**

**90° - 11M THREE POLE STRUCTURE WITH TWO CROSS ARMS AND FUSE LINKS: 11 KV SEE DR 34**

(EX-CLUDING STAYS AND CONDUCTOR)

<u>QUANTITY</u>	<u>SIZE</u>	<u>DESCRIPTION</u>
3	11m	Wooden poles, top diameter of 160 – 180mm
6	22kV	Composite insulators. Sediver ADI 05 Type or similar as approved
6	20mm x 250mm	Eye bolts c/w 2 lock nuts
8	20mm x 450mm	Galvanized Studs
18	20mm	Square washers galvanized curved
6		Clevis Thimbles
6		Tower Hooks
6	0.05 Rabbit	PG Clamps
6	Rabbit (.05)	Pre-form dead ends
2	2.4m	Wooden Cross arms
3		22kV Complete fuse base with links
6	16mm	Merlugs
6		22kV Post Insulators
<b>MATERIAL ADDED BY TENDERER</b>		

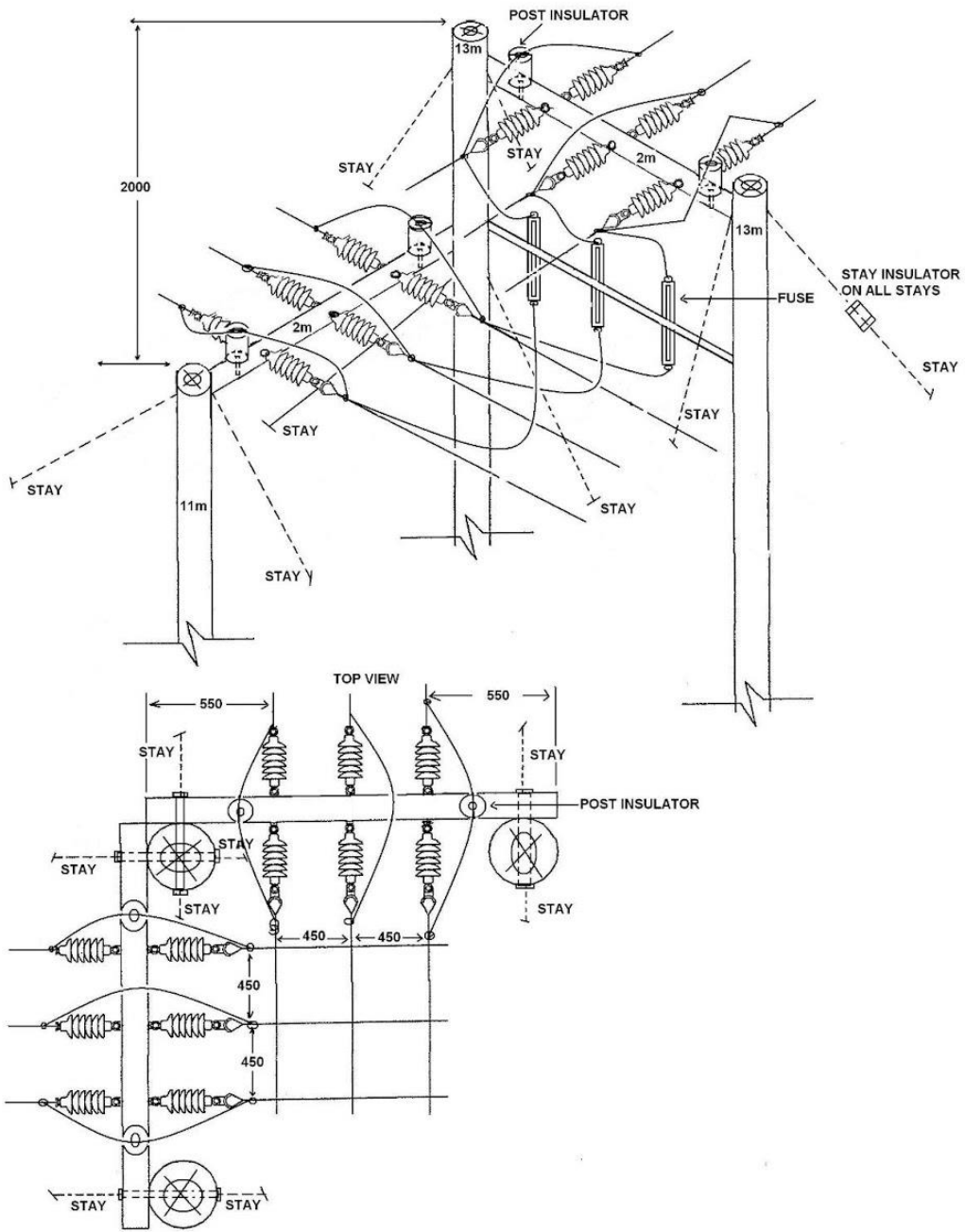
TOTAL MATERIAL PRICE

<b>POLE SIZE</b>	<b>RABBIT CONDUCTOR</b>
11m	R
12m	R
14m	R

Erection of a 90° three pole structure with 2 x cross arms. (Excluding material, transport and digging of holes)

TOTAL LABOUR OF ONE STRUCTURE R\_\_\_\_\_

DR 34



**11KV THREE POLE STRUCTURE  
WITH FUSE LINKS**

**3 POLE STRUCTURE WITH 2 CROSS ARMS: 11 KV AND 33 KV STRAIN STRUCTURE SEE DR 35**

(EX-CLUDING STAYS AND CONDUCTOR)

<u>QUANTITY</u>	<u>SIZE</u>	<u>DESCRIPTION</u>
3	11m – 14m	Wooden poles, top diameter of 160 – 180mm
6	22 kV or 33 kV	22 and 33 kV composite insulator as specified
3	20mm	Eye (Ring) Nuts galvanized
4	20mm x 600mm	Galvanized studs c/w 4 nuts
12	20mm	Square washers galvanized curved
6	11kV or 33 kV	Clevis thimbles
6		Tower Hooks
6	0.05 Rabbit	PG clamps
6	Rabbit (0.05)	Pre-form dead ends
2	2.4m	Wooden cross arms
6	22kV or 33kV	22 & 33 kV post insulators as specified
6	Rabbit (.05)	Pre-form twin ties
<b>MATERIAL ADDED BY TENDERER</b>		

TOTAL MATERIAL PRICE (11 kV)

<b>POLE SIZE</b>	<b>RABBIT CONDUCTOR</b>
11m	R
12m	R
14m	R

TOTAL MATERIAL PRICE (33 kV)

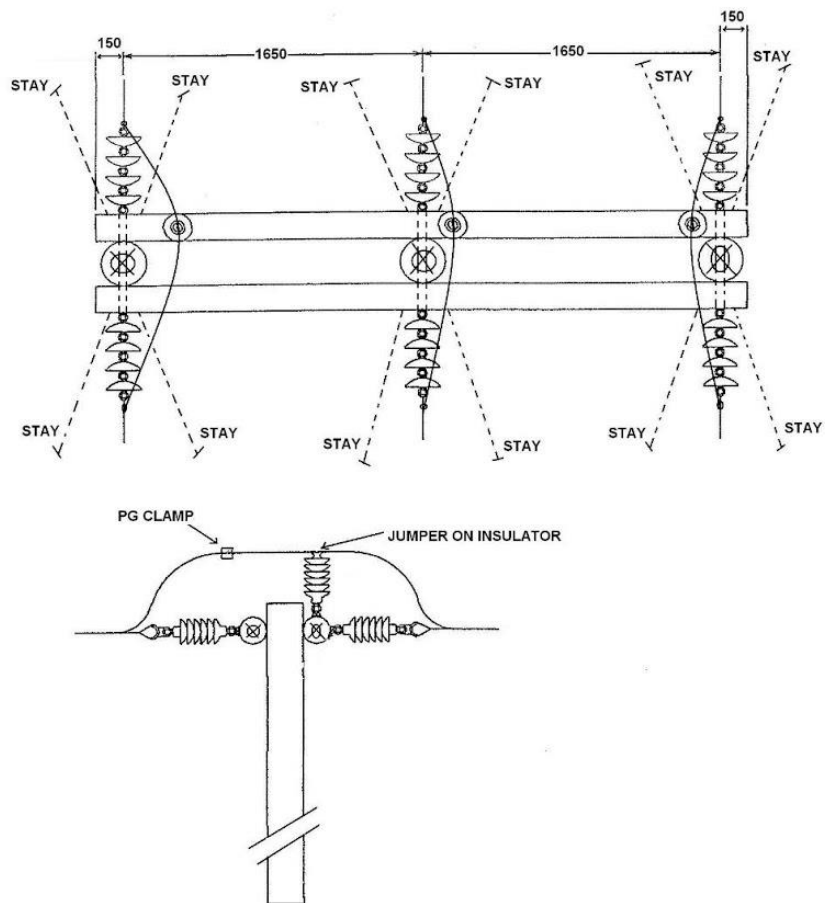
<b>POLE SIZE</b>	<b>HARE CONDUCTOR</b>
12m	R
14m	R

Erection of a 90° three pole structure with 2 x cross arms. (Excluding material, transport and digging of holes)

TOTAL LABOUR OF ONE STRUCTURE R\_\_\_\_\_

2.1.95

DR 35  
11KV AND 33KV THREE POLE  
STRUCTURE WITH 2m  
X-ARMS





**2.1.96**

**TRANSPORT OF \* FOUR-POLE TRANSFORMER STRUCTURES, 11 KV THREE PHASE  
(EXCLUDING MATERIAL, ERECTION AND DIGGING OF HOLES)**

<b>STRUCTURES</b>	<b>1 - 5</b>	<b>6 - 10</b>	<b>11 - 15</b>	<b>16 - 20</b>	<b>21 - 25</b>	<b>26 - 30</b>	<b>31 - 35</b>	<b>36 - 40</b>	<b>41 - 45</b>	<b>46 - 50</b>	<b>***ADDITIONAL FIVE</b>
<b>**DISTANCE IN KM</b>											
<b>1 - 50</b>	R	R	R	R	R	R	R	R	R	R	R
<b>51 - 100</b>	R	R	R	R	R	R	R	R	R	R	R
<b>101 - 150</b>	R	R	R	R	R	R	R	R	R	R	R

\*Must be according to drawings 33A

\*\*Distance from Tzaneen Substation along the road to furthest point of the line that must be built.

\*\*\*EXAMPLE: If the amount tendered for 46 – 50 structures = A, and if the amount tendered for ADITIONAL FIVE = B then

Cost for 51 – 55 Structures = A + B and  
 Cost for 56 – 60 Structures = A + B + B and  
 Cost for 61 – 65 Structures = A + B + B + B etc.

**ERRECTION OF \*FOUR-POLE TRANSFORMER STRUCTURES, 11 KV THREE PHASE  
(EXCLUDING MATERIAL, TRANSPORT AND DIGGING OF HOLES)**

**TOTAL LABOUR FOR ONE STRUCTURE: R\_\_\_\_\_**

**2.1.97**

**TRANSPORT AND LABOUR OF \* 3 POLE STRUCTURES, 11 & 33 KV THREE PHASE  
(EXCLUDING MATERIAL, ERECTION AND DIGGING OF HOLES)**

<b>STRUCTURES</b>	<b>1 - 5</b>	<b>6 - 10</b>	<b>11 - 15</b>	<b>16 - 20</b>	<b>21 - 25</b>	<b>26 - 30</b>	<b>31 - 35</b>	<b>36 - 40</b>	<b>41 - 45</b>	<b>46 - 50</b>	<b>***ADDITIONAL FIVE</b>
<b>**DISTANCE IN KM</b>											
<b>1 - 50</b>	R	R	R	R	R	R	R	R	R	R	R
<b>51 - 100</b>	R	R	R	R	R	R	R	R	R	R	R
<b>101 - 150</b>	R	R	R	R	R	R	R	R	R	R	R

\*Must be according to drawings 33, 34

\*\*Distance from Tzaneen Substation along the road to furthest point of the line that must be built.

\*\*\*EXAMPLE: If the amount tendered for 46 – 50 structures = A, and if the amount tendered for ADITIONAL FIVE = B then

Cost for 51 – 55 Structures = A + B and  
Cost for 56 – 60 Structures = A + B + B and  
Cost for 61 – 65 Structures = A + B + B + B etc.

ERRECTION OF \*3 POLE STRUCTURES, 33 KV THREE PHASE (EXCLUDING MATERIAL, TRANSPORT AND DIGGING OF HOLES)  
TOTAL LABOUR OF ONE STRUCTURE: R\_\_\_\_\_

ERRECTION OF \*3 POLE STRUCTURES, 11 KV THREE PHASE (EXCLUDING MATERIAL, TRANSPORT AND DIGGING OF HOLES)  
TOTAL LABOUR OF ONE STRUCTURE: R\_\_\_\_\_

### SECTION 2.2 AND 2.3

#### **REMOVAL AND REPLACEMENT OF CONNECTIONS AND LABOUR AND TRANSPORT FOR ADDITIONAL WORK IN EMERGENCY SITUATIONS**

This section forms part of section 2 and it is a requirement that the successful bidder also completes section 2.2 and section 2.3 of this document in order to qualify for section 2.

Most of the lines that need to be rebuilt have connections along the line that need to be removed and replaced as the project progresses. This function was previously performed by the employer.

Section 2.2 and 2.3 shall also comply with all the requirements as laid down in the rest of the document and shall be of the same standard and to specifications as specified.

Of importance is that the contractor shall be held liable for damages occurred as a result of reverse phasing. The contractor must acquaint himself in respect of phasing and rotation before and after works are carried out and a record kept.

Final positions of connections shall be pointed out by the employer in case of any discrepancies.

It will also be expected from the contractor to make himself available in emergency situations after hours according to the rates as stipulated in section 2.3.

The successful Bidder must be based in the Tzaneen area and will be responsible for a 24 hour response on emergency call outs and must be committed for any repairs, modifications and refurbishment at any time on the distribution system.

## SECTION 2.2

### REMOVAL AND REPLACEMENT OF CONNECTIONS

DESCRIPTION	UNIT	MATERIAL	LABOUR	TOTAL
<b><u>Transformer Connections</u></b>				
Remove and replace transformer structures from old to new positions, complete with transformers, mounting brackets, platforms, lighting arrestors, fuses and pole numbers.				
16 kVA single pole structure	ea	*		
25 – 100 kVA two pole structure	ea	*		
200 – 1000 kVA four pole structure	ea	*		
<b><u>Metering</u></b>				
Remove and install meter boxes. Rates should include termination and connecting.				
16 kVA – Single phase box	ea	*		
25 – 75 kVA – Three phase box.	ea	*		
100 – 1000 kVA – Maximum demand box	ea	*		
<b><u>Cabling</u></b>				
Remove and install cables, including terminations, lugs and glands.				
16mm X 3 core copper cable	ea			
16mm X 4 core copper cable	ea			
25mm X 4 core copper cable	ea			
50mm X 4 core copper cable	ea			
70mm X 4 core copper cable	ea			
35mm bare copper wire for earthing.	ea			
<hr/>				
<b><u>Trenching &amp; Cable Joints</u></b>				
Trench excavations 500mm deep with warning tape and bat fill according to Standards				
Soft	m			
Mechanical	m			
Rock	m			
<hr/>				
<b><u>Cable Joints</u></b>				
10mm – 50mm	ea			
70mm – 150mm	ea			
<hr/>				
<b><u>Links</u></b>				
Remove and install of dropout fuse links				
Single phase single pole	ea			
Single phase double pole	ea			
Three phase single pole	ea			
Three phase double pole	ea			
<hr/>				
<b><u>Total</u></b>				

\* Council to supply only transformers, meter boxes, circuit breakers and meters. The rest of small materials to be supplied by the contractor. Rates should be priced according to the drawings supplied in document Page 28 Section 2. All above rates should include transport cost to deliver scrap material to GTM stores.

**SECTION 2.3**

**LABOUR AND TRANSPORT RATES FOR ADDITIONAL WORK IN EMERGENCY SITUATIONS**

**1. LABOUR RATES**

	NORMAL WORKING HOURS R/h	AFTER HOURS AND SATURDAYS R/h	SUNDAYS & PUBLIC HOLIDAYS R/h
1. Electrician _____	_____	_____	_____
2. Labourer _____	_____	_____	_____
3. Linesman _____	_____	_____	_____
4. Driver _____	_____	_____	_____

**2. TRANSPORT**

- 2.1 a) Hiring of crane truck per hour R\_\_\_\_\_
- b) Transport per km R\_\_\_\_\_
- 2.2 a) Hiring of LDV per hour R\_\_\_\_\_
- b. Transport per km R\_\_\_\_\_
- 3. Percentage mark-up on materials if not supplied by the employer \_\_\_\_\_%

Prove of all materials purchased must be made available to the employer on request.  
 Take note that your rates must be in line with the rates tendered in Section 2 of the Bid and that abnormal rates will not be accepted.  
 Labour rates should be within reason to the NBCEI rates and transport rates according to the AA rates.

**SECTION 2.4**

## INSTALLATION OF NEW CONNECTIONS

DESCRIPTION	UNIT	MATERIAL	LABOUR	TRANSPORT	TOTAL
<b>Transformer Connections</b> Install transformer structures to new positions as indicated, complete with transformer, mounting brackets, platforms, lighting arrestors, fuses and pole numbers.					
16 kVA single pole structure *	ea				
25 - 100 kVA two pole structure *	ea				
200 - 1000 kVA four pole structure *	ea				
<b>Metering</b>					
Install meter boxes *. Rates should include all needed for new connection.					
16 kVA - Single phase box *	ea				
25 - 75 kVA - Three phase box *.	ea				
100 - 1000 kVA - Maximum demand box *	ea				
<b>Trenching &amp; Cable Joints</b> Trench excavations 500mm deep with warning tape and bat fill according to Standards					
Soft	m				
Mechanical	m				
Rock	m				
<b>Cable Joints</b>					
10mm - 50mm	ea				
70mm - 150mm	ea				
<b>Links</b> Installation of dropout fuse links					
Single phase single pole	ea				
Single phase double pole	ea				
Three phase single pole	ea				
Three phase double pole	ea				
<b>Total</b>					
*Council will supply Transformers, meter boxes and meters. Rates should be priced according to the drawings supplied in document. All above rates should include transport cost to deliver scrap material to GTM stores					

## **SECTION 3.1**

### **REFURBISHMENT OF 33 AND 11 KV LINES**

Provision is also made on the budget to refurbish lines where a complete rebuilding is found unnecessary. In most cases this will happen where less than 50% of the line is in a bad condition.

Section 3 of the tender shall comply with all the requirements in the relevant sections of the document and lines re-furbished shall be of the same standard and according to drawings as indicated on page 28 section 2 of the document.

It is also a requirement that if the bidder wishes to tender only on section 3 of the document all the remaining sections must be completed in full except section 2.

Council is not obliged to award section 3 of this tender to the successful bidders of section 2 and may award section 3 to any bidder he may find capable of completing the contract successfully.

An assessment of the said line to be refurbished and decision on structure types will be done by the employer and the contractor will be supplied with a list and/or drawing for pricing purposes.

Take note that your rates must be in line with the rates tendered in Section 2 of the Bid and that abnormal rates will not be accepted.

Labour rates should be within reason to the NBCEI rates and transport rates according to the AA rates.

## 11 kV REFURBISHMENT

DESCRIPTION	UNIT	MATERIAL	LABOUR	TOTAL
<b><u>Stays</u></b>				
Removal and installation of stay excluding stay rod	each			
<b><u>X-Arms</u></b>				
Remove and replace double strain x-arm	item			
Remove and replace single intermediate x-arm	item			
<b><u>Poles</u></b>				
Remove and replace single pole structure	each			
Remove and replace double pole structure	each			
Remove and replace three pole structure	each			
Remove and replace four pole structure	each			
(Note that pole numbering rates to be included in pole rates)				
<b><u>Structures complete with hardware</u></b>				
Remove and replace single pole structure	each			
Remove and replace double pole structure	each			
Remove and replace three pole structure	each			
Remove and replace four pole structure	each			
<b><u>Conductor (Per phase)</u></b>				
<b><u>Cut and coil of conductor</u></b>				
Squirrel	m			
Rabbit	m			
<b><u>Retention of conductors</u></b>				
Squirrel	m			
Rabbit	m			
<b><u>Installation of new conductor (Per phase)</u></b>				
Squirrel	m			
Rabbit	m			
<b><u>Insulators</u></b>				
Remove and replace Strain insulator	each			
Remove and replace Intermediate suspension insulator	each			
Remove and replace intermediate post insulator	each			
<b><u>Jumpers</u></b>				

Re-do jumpers complete with conductor jointing paste and clamps				
Single pole structure	each			
Double pole structure	each			
Three pole structure	each			
Four pole structure	each			
<b><u>Bindings</u></b>				
Remove & replace side ties (Squirrel)	each			
Remove & replace side ties (Rabbit)	each			
<b><u>Joints</u></b>				
Full tension joint complete with paste (Squirrel)	each			
Full tension joint complete with paste (Rabbit)	each			
<b><u>Terminations</u></b>				
Replace dead end (Squirrel)	each			
Replace dead end (Rabbit)	each			
Replace Pistol/Grip (Squirrel)	each			
Replace Pistol/Grip (Rabbit)	each			
Replace armour rod (Squirrel)	each			
Replace armour rod (Rabbit)	each			
<b><u>Vibration Dampers and pistol grips</u></b>				
Supply and installation of vibration dampers	each			
Supply and installation of pistol grips	each			
<b><u>Total</u></b>				
Rates should be priced according to the drawings supplied in document Page 28 Section 2 All above rates should include transport cost to deliver scrap material to GTM stores and all material to be supplied by the contractor.				

### 33 kV REFURBISHMENT

DESCRIPTION	UNIT	MATERIAL	LABOUR	TOTAL
<b><u>Stays</u></b>				
Removal and installation of stay excluding stay rod	each			
<b><u>X-Arms</u></b>				
Remove and replace double strain x-arm	item			
Remove and replace single intermediate x-arm	item			
<b><u>Poles</u></b>				
Remove and replace single pole structure	each			
Remove and replace double pole structure	each			
Remove and replace three pole structure	each			
Remove and replace four pole structure	each			
(Note that pole numbering rates to be included in pole rates)				
<b><u>Structures complete with hardware</u></b>				
Remove and replace single pole structure	each			
Remove and replace double pole structure	each			
Remove and replace three pole structure	each			



Remove and replace four pole structure	each			
<b><u>Conductor (Per phase)</u></b>				
<b>Cut and coil of conductor</b>				
Rabbit	m			
Hare	m			
Bear	m			
<b>Retention of conductors</b>				
Rabbit	m			
Hare	m			
Bear	m			
<b><u>Installation of new conductor (Per phase)</u></b>				
Rabbit	m			
Hare	m			
Bear	m			
<b><u>Earth wire</u></b>				
Installation of new rabbit conductor per phase	m			
Cut and coil of earth conductor per phase	m			
Removal of old down earth wire and install new 3.35 steel earth down wire	each			
<b><u>Insulators</u></b>				
Remove and replace Strain insulator	each			
Remove and replace Intermediate suspension insulator	each			
Remove and replace intermediate post insulator	each			
<b><u>Jumpers</u></b>				
Re-do jumpers complete with conductor jointing paste and clamps				
Single pole structure	each			
Double pole structure	each			
Three pole structure	each			
Four pole structure	each			
<b><u>Bindings</u></b>				
Remove & replace side ties (Rabbit)	each			
Remove & replace side ties (Hare)	each			
Remove & replace side ties (Bear)	each			
<b><u>Joints</u></b>				
Full tension joint complete with paste (Rabbit)	each			
Full tension joint complete with paste (Hare)				
Full tension joint complete with paste (Bear)	each			
<b><u>Terminations</u></b>				
Replace dead end (Rabbit)	each			
Replace dead end (Hare)	each			
Replace dead end (Bear)	each			
Replace Pistol/Grip (Rabbit)	each			
Replace Pistol/Grip (Hare)	each			
Replace Pistol/Grip (Bear)	each			
Replace armour rod (Rabbit)	each			
Replace armour rod (Hare)	each			
Replace armour rod (Bear)	each			

<b>Vibration Dampers and pistol grips</b>				
Supply and installation of vibration dampers	each			
Supply and installation of pistol grips	each			
<b>Total</b>				

Rates should be priced according to the drawings supplied in the document in Section 2. All above rates should include transport cost to deliver scrap material to GTM stores and all material to be supplied by the contractor.

**SECTION 3.2**

**BUSH CLEARING OF 33 AND 11 KV LINE ROUTES (NOT ONLY DURING REFURBISHMENT)**

NEW OR EXISTING ROUTE	TYPE A (R/m)	TYPE B (R/m)	TYPE C (R/m)
EXISTING ROUTE	R	R	R
NEW ROUTE	R	R	R

**Type A route:** Slashing of normal undergrowth and cutting of small trees with a diameter not thicker than 150mm, including small to medium branches.

**Type B route:** Slashing of normal undergrowth and cutting of small trees with a diameter thicker than 150mm but not exceeding 300mm, including small to medium branches.

**Type C route:** Slashing of normal undergrowth and cutting of trees with a diameter exceeding 300mm, including small to medium branches.

**PART G**

**OCCUPATIONAL HEALTH AND SAFETY  
SPECIFICATIONS**

**CLIENT: GREATER TZANEEN MUNICIPALITY  
PRINCIPAL CONTRACTOR:**

**CONTRACT FOR** \_\_\_\_\_

**START DATE** \_\_\_\_\_ **END DATE** \_\_\_\_\_

PREPARED BY: Philisiwe Setlhako  
GREATER TZANEEN MUNICIPALITY  
TEL: (015) 307-8059  
Cell: 083 748 6115

## CONTENTS

- Document purpose and intent
- Specification control sheet
- Declaration*
- Revisions*
- Application and Interpretation
- 3.1 Definitions*
- Notification of Construction Work
- Legal
- General duties of Principal Contractor
- Supervision of Construction Work
- Risk Assessment
- Safe Work Procedures
- Safety of Public/Pedestrians
- Fall Protection
- Registers
- Training
- General Requirements
- Hazardous Chemical Substances (including Asbestos and Lead)
- Asbestos (additional requirements)
- Lead (additional requirements)
- Noise Induced Hearing Loss
- Lighting
- Hazardous Biological Agents (HBA)

### **DOCUMENT PURPOSE AND INTENT**

The specifications contained in this document relate to the occupational health and safety requirements pertaining to the associated works of the aforementioned client so as to ensure the occupational health and safety of person on the following contract:

Compliance to the Occupational Health and Safety Act (Act 85 of 1993) and the Regulations shall not be limited to the specifications and definitions contained in this document.

A comprehensive, documented Health and Safety Plan is to be drawn up by the Principal Contractor, based on the results of Health and Safety Risk Assessments conducted by him/her, and the specifications provided, and presented to the agent for approval prior to commencement of work.

Monitoring of compliance on site shall be to the requirements of the OHS Act and Regulations as well as the contents of the H&S Plan(s) of the Principal Contractor and Contractors.

### **SPECIFICATION CONTROL SHEET**

Project Name:

*Declaration*

This original document has been prepared, and received by the undersigned:

Prepared by : GTM  
Name : Philisiwe Setlhako  
Signature :  
Date :  
Capacity: OHS Officer - GTM

<b>PRINCIPAL CONTRACTOR RECEIPT</b>	
Received by :	
Name :	
Signature :	
Date :	
Capacity :	

*Revisions*

<b>REVISION</b>	
Prepared by :	
Signature :	
Date :	
Capacity :	

<b>REVISION</b>	
Prepared by :	
Signature :	
Date :	
Capacity :	

**APPLICATIONS AND INTERPRETATION**

This document is to be read and understood in conjunction with the following, inter alia:

Occupational Health and Safety Act (Act 85 of 1993).

All regulations published in terms of the Occupational Health and Safety Act.

Construction Regulations, 2003.

SABS codes referred to by the Occupational Health and Safety Act.  
Contract Documents

Basic Conditions of Employment Act (Act 75 of 1997)

## **ABBREVIATIONS**

OHS	:	Occupational Health and Safety
CEO	:	Chief Executive Officer
CR	:	Construction Regulations
HCS	:	Hazardous Chemical Substances
MSDS	:	Material Safety Data Sheet
AIA	:	Approved Inspection Authority
HBA	:	Hazardous Biological Agents
OEL	:	Occupational Exposure Limit

## ***Definitions***

**The Following Definitions from The Occupational Health and Safety Act Are Listed as Follows:**

### **Chief Executive Officer**

In relation to a body corporate or an enterprise conducted by the State, means the person who is responsible for the overall management and control of the business of such body corporate or enterprise.

### **Danger**

Means anything that may cause injury or damage to persons or property.

### **Employee**

Means, subject to the provisions of Subsection (2), any person who is employed by or works for any employer and who receives or is entitled to receive any remuneration or who works under the direction or supervision of an employer or any other person.

### **Employer**

Means, subject to the provisions of Subsection (2), any person who employs or provides work for any person or remunerates that person or expressly or tacitly undertakes to remunerate him, but excludes a labour broker as defined in Section 9(1) of the Labour Relations Act, 1953 (Act No. 28 of 1956).

### **Hazard**

Means a source of or exposure to danger.

### **Healthy**

Means free from illness or injury attributable to occupational causes.

### **Machinery**

Means any article or combination of articles assembled, arranged or connected and which is used or intended to be used for converting any form of energy to performing work, or which is used or intended to be used, whether

incidental thereto or not, for developing, receiving, storing, containing, confining, transforming, transmitting, transferring or controlling any form of energy.

**Medical Surveillance**

Means a planned program of periodic examination (which may include clinical examinations, biological monitoring or medical tests) of employees by an occupational health practitioner or, in prescribed cases, by an occupational medicine practitioner.

**Plant**

Includes fixtures, fittings, implements, equipment, tools and appliances, and anything which is used for any purpose in connection with such plant.

**Properly Used**

Means used with reasonable care, and with due regard to any information, instruction or advice supplied by the designer, manufacturer, importer, seller or supplier.

**User**

In relation to plant or machinery, means the person who uses plant or machinery for his own benefit or who has the right of control over the use of plant or machinery, but does not include a lessor of, or any person employed in connection with, the plant or machinery.

**Reasonably Practicable**

Means practicable having regards to:

the severity and scope of the hazard or risk concerned,

the state of knowledge reasonably available concerning that hazard or risk and of any means to remove or mitigate that hazard or risk.

The availability and suitability of means to remove or mitigate that hazard or risk; and

The cost of removing or mitigating that hazard or risk in relation to the benefits deriving there from.

**Risk**

Means the probability that injury or damage will occur.

**Safe**

Means free from any hazard.

**Standard**

Means any provision occurring:

in a specification, compulsory specification, code of practice or standard method as defined in Section 1 of the Standards Act, 1993 (Act No. 29 of 1993);

OR

in any specification, code or any other directive having standardization as its aim and issued by an institution or organization inside or outside the Republic which, whether generally or with respect to any particular article or matter and whether internationally or in any particular country or territory, seeks to promote standardization.

**The Following Definitions From The Construction Regulations Are Listed As Follows:**

**Agent**

Means any person who acts as a representative for a client.

**Competent Person**

Means any person having the knowledge, training, experience and qualifications specific to the work or task being performed:

Provided that where appropriate qualifications and training are registered in terms of the provisions of the South African Qualifications Authority Act, 1995 (Act No. 58 of 1995), these qualifications and training shall be deemed to be the required qualifications and training.

### **Construction**

Means any work in connection with: the erection, maintenance, alteration, renovation, repair, demolition or dismantling of or addition to a building or any similar structure; the installation, erection, dismantling, or maintenance of a fixed plant where such work includes the risk of a person falling; the construction, maintenance, demolition or dismantling of any bridge, dam, canal, road, railway, runway, sewer or water reticulation system or any similar civil engineering structure; OR the moving of earth, clearing of land, the making of an excavation, piling or any similar type of work.

### **Contractor**

Means an employer, as defined in Section 1 of the Act, who performs construction work and includes principal contractors.

### **Hazard Identification**

Means the identification and documenting of existing or expected hazards to the health and safety of persons, which are normally associated with the type of construction work being executed or to be executed.

### **Health and Safety File**

Means a file, or other record in permanent form, containing the information required as contemplated in these regulations.

### **Health and Safety Plan**

Means a documented plan, which addresses hazards, identified and includes safe work procedures to mitigate, reduce or control the hazards identified.

### **Health and Safety Specification**

Means a documented specification of all health and safety requirements pertaining to the associated works on a construction site, so as to ensure the health and safety of persons.

### **Method Statement**

Means a document detailing the key activities to be performed in order to reduce as reasonably as practicable the hazards identified in any risk assessment.

### **Principal Contractor**

Means an employer, as defined in Section 1 of the Act who performs construction work and is appointed by the client to be in overall control and management of a part of or the whole of a construction site.

### **Risk Assessment**

Means a program to determine any risk associated with any hazard at a construction site, in order to identify the steps to be taken to remove, reduce or control such hazard.

## **NOTIFICATION OF CONSTRUCTION WORK**

The principal Contractor shall notify by registered mail, the Limpopo Provincial Director of the Department of Labour, before commencing with construction work, of the intended work in the form of Annexure A of the Construction Regulations.

A copy of the completed Annexure a of the Construction Regulations, as well as proof of notification shall be included in the Health and Safety Plan. (Proof of fax or proof of hand delivery)

A copy of the completed Annexure A is to be kept on site by the principal Contractor. (Health and Safety file)

## LEGAL DOCUMENTATION/APPOINTMENTS

The following documents must be provided in the Health and Safety File:

- ◆ Health and Safety Policy signed by CEO.
- ◆ Letter of good standing with the Compensation Commissioner, Federated Employers or similar insurer.
- ◆ Health and Safety Organogram (or table), outlining the Health and Safety Team, as well as the appointment(s) they have under the Act and Regulations (reference to specific section/regulation applicable to appointment)
- ◆ The competency of each member of the Health and Safety Team must be provided and should include knowledge, training, experience & qualifications specific to the work or task being performed. (CV and copies of qualifications).

### Signed Copies of The Following Legal Appointments Must Be Provided In The Health And Safety File:

APPOINTMENT	OHS-ACT / REGULATION REFERENCE
Section 16.2 appointment	Section 16.2
Health and Safety Representative (if necessary)	Section 17
Health and Safety Committee members (if necessary)	Section 19
Incident Investigator	GAR 8(2)
First Aiders (Include training certificates)	GSR 3
Fire Fighters	ER 9 & CR 27(h)
Risk Assessor	HC (Incl. Asbestos & Lead); CR 7



The following information must be provided in the Health and Safety File.

Indicate the estimated number of employees to be working on site.

Indicate the expected number of contractors to be appointed by the Principal Contractor.

The following Competent Persons, where applicable, shall be appointed in writing by the Principal Contractor, prior to any work being carried out, and shall adhere to the requirements of the specific sub-regulations.

The Competency of each of these appointed competent persons must be provided and should include knowledge, training, experience and qualifications specific to the appointment (CV and Copies of qualifications).

**The Table Below Indicates The Applicability of The Appointments But Contractors Should By No Means Be Limited To These Indications.**

APPOINTMENT	OHS-ACT / REGULATION REFERENCE
Construction Supervisor	CR 6 (1)
Assistant Construction Supervisor	CR 6 (2)
Fall Protection Competent Person	CR 8 (1)
Excavation Work Competent Person	CR 11(1)
Construction Vehicle and Mobile Plant Competent Person	CR 21 (1)(j)
Electrical Installation Competent Person	CR 22 (d)
Fire equipment Competent Person	CR 27 (h)
Confined Spaces Competent Person	GSR (5)
Blasting Competent Person	
Safety Officer	CR 6(6)
General Machinery Competent Person	GMR (2)
Lifting Machines Operators	DMR 18(11)

No work involving any of the listed appointments may be performed without the knowledge and approval of an appointed competent person.

The competent person shall be responsible to determine the level of supervision required for each activity.

The agent must be informed of any changes made to the above appointments.

The agent reserves the right to require from any contractor at any stage to appoint a full or part time construction health and safety officer.

## **GENERAL DUTIES OF PRINCIPAL CONTRACTOR**

- ◆ The principal contractor will be responsible for co-operation between all contractor to ensure compliance to the OHS –Act and Regulations on site.
- ◆ To ensure the above, the Principal Contractor must carry out the following and provide proof of such in his H&S plan:

Provide health and safety specifications to Contractors.

Appoint Contractors in writing.

Proof that Contractors H&S Plan has been approved, implemented and maintained.

Proof that Contractors are registered with the Compensation Commissioner or similar insurer.

Proof that Contractors made provision for the cost of Health and Safety measures during the construction process.

A comprehensive & updated list of all contractors on site, also indicating the type of work being done.

Copies of Section 37(2) agreements with the relevant contractors.

## **SUPERVISION OF CONSTRUCTION WORK**

- The agent must be informed if the Construction Work Supervisor is also appointed as a Construction Supervisor for another site.

## **RISK ASSESSMENT**

Risk assessments of all required activities shall form an integral part of the Health and Safety plan.

All risk assessments shall be conducted in terms of an acceptable methodology covering at least the elements frequency, likelihood and consequence, prior to commencement of work, according to the provisions of CR 7 and should cover at least the following:

Movement of construction vehicles

All work near overhead power lines and underground cables

Locating underground cables/existing services

Hand excavation of trenches

Mechanical excavation of trenches

All work carried out inside trenches, including compacting, pipe laying, backfilling etc.

Temporary stockpiling and removal of excavated material

Transporting material

Cutting into existing sewage line

All work carried out from scaffolding

Exposure to raw sewerage (see paragraph 19)

All work carried out on live electrical installations

Welding in confined spaces

Working at heights

Cladding

Stripping of existing roof sheets or other material Piling

Formwork/Support work

Demolition work

Working with hand tools

## Working with portable electrical tools

All health hazards that can be present during any of the above activities and should include individual dusts, gases, fumes, vapors, noise, extreme temperatures, illumination, vibration and ergonomic hazards due to any of the above activities.

The above list is by no means exhaustive and should not be limited to these activities but must cover all activities that forms part of the said construction work.

Each activity must be split down to individual tasks and all associated hazards identified and listed in the risk assessment. This ensures that critical tasks and subsequent critical hazards are not missed. The risk assessment to be included in the H&S Plan must clearly indicate:

The methodology used to do the risk assessments. Breakdown of processes and activities covered. High risks anticipated.

All risk assessments are to be conducted by competent persons as appointed under paragraph 5 of this document. The plan must include a declaration in this regard or the risk assessment must contain the signature(s) of this appointed persons.

Risk assessments are to be handed to the agent prior to commencement of work.

The agent reserves the right to stop any work if such work is not conducted in terms of the recommendations of the risk assessment.

Risk assessments are to cover safety as well as health hazards.

## **SAFE WORK PROCEDURES**

Safe Work Procedures are to form part of the H&S Plan and must be compiled for all the above-identified activities.

The safe work procedures must address the following elements:

- The work method to be followed to conduct work safely
- Mitigation of identified risks
- Reducing and controlling risks and hazards that have been identified
- Responsibilities of competent persons
- Required personal protective equipment
- Correct equipment / tools/ machinery to be used
- Reference to relevant registers to be completed
- Reference to applicable risk assessment

**The Following Two Tables Provide Information on All Factors To Be Taken Into Account When The Risk Assessments and Safe Work Procedures Are Compiled:**

<b>Physical</b>	<b>Chemical</b>	<b>Biological</b>	<b>Mechanical</b>	<b>Psycho-social</b>
Noise	Liquids	Insects	Guards	Stress
Vibration	Dusts	Fungi	Hand tools	Work pressure
Ionizing radiation	Fumes	Bacteria	Machinery	Monotony
Non-ionizing radiation	Fibers	Viruses		Unsociable hours
Health and cold	Mists			Ergonomically:

Electricity	Gases			<input type="checkbox"/> Posture
Pressure	Vapors			<input type="checkbox"/> Movement
				<input type="checkbox"/> Repetitive tasks

System	Stress	Disease
Musculoskeletal	Lifting/loads Repetitive strain Abnormal postures Whole body vibration	Muscular pain syndromes Tenosynovitis Bursitis Osteoarthritis
Sensory	Noise	Hearing loss
Skin	Cement (chromates), rubber Thinners, epoxies Tar, pitch Solar radiation	Allergic contact dermatitis Irritant contact dermatitis Acne, Skin cancer Keratosis, cancer
Respiratory	Silica Asbestos Spray paints, woods, epoxies Irritant dusts, welding fumes Organic Solvents	Silicosis, TB Asbestosis, Cancer Asthma Bronchitis Headaches, Dizziness, Cancer
Psychosomatic	Physical stress Psychosocial stress	Head aches Depression Fatigue Substance abuse
Nervous System	Lead Organic solvents	Peripheral and central neuropathy Headaches, Dizziness, Mood disorder, Dementia, Cancer

## SAFETY OF PUBLIC/PEDESTRIANS

Access to the construction site must be cordoned off as much as possible in all work areas.

All excavations are to be fenced/ barricaded to prevent access by public / pedestrians.

Work must be planned in such a manner as to ensure that the minimum amount of trenches are left open after hours or during weekends.

## FALL PROTECTION

- Contents of the fall protection plan must cover all the requirements as stated in sub-regulation CR8.
- The fall protection plan is to be handed to the agent before work commences.

ACTIVITY	FREQUENCY
Form work / Support work	Daily, prior to any shift
Excavation Work	Daily, prior to any shift, after rain or blasting or after unexpected fall of ground
Material Hoist	Daily
Crane(s) Logbook	As per DMR 18
Construction Vehicles and Mobile Plant	Daily
Temporary Electrical Installation	Weekly

Stacking	Weekly
Fire Extinguishers	Bi- Monthly
Ablution Facilities	Weekly
Ladders	Weekly
Incident Register in terms of GAR 9	As Required
Fall Protection Equipment	Daily
Portable electrical tools	Weekly
Fire fighting equipment	Monthly

The level of supervision is to be stated in the fall protection plan.

- Medical certificates, work near edges, presence of dew, dangerous walking areas etc. should be addressed in the fall protection plan.

## REGISTERS

Examples of the registers listed below must be provided in the Health and Safety Plan.

All registers must be available at the site offices at all times for inspection by the agent.

The list of registers to be kept is by no means exhaustive and the H&S Plan should list all the registers that are applicable and at what frequency they are going to be maintained.

## TRAINING

Each Health and Safety Plan shall indicate the following regarding training:

Name and contents of the following training courses which have to be conducted:

Induction Training

Training regarding hazards identified and any corrective measures in place

Training regarding all applicable regulations

Specific training regarding applicable competencies

Attendance registers must be kept as proof of training provided

Method of informing visitors and other persons entering the site of hazards prevalent on site.

Method of providing personal protective equipment to visitors and non-employees.

An example of ID training card for each employee (if used).

Methodology to be used in the issuing and communication of written instructions/safe work procedures.

## GENERAL REQUIREMENTS

### Personal Protective Equipment

The procedures for issuing and control over PPE shall be indicated in the Health and Safety Plan, as well as the enforcement for the wearing thereof.

### Hired Plant

The responsibility for the safe condition and use of all hired plant shall be that of the contractor.

### Transport of Employees

Transport of employees shall be carried out in terms of the National Road Ordinances.

The Health and Safety Plan shall detail the arrangements and methods of the transportation of workers.

### Signs

The Principal Contractor shall indicate in his Health and Safety Plan the arrangements regarding the posting of danger signs.

## **Certificates of fitness**

The Principal Contractor shall include in his H&S Plan copies of all employees that require medical fitness certificates under the following regulations where applicable:

- ◆ **CR 20 – Crane Operators**
- ◆ **CR 21 – Construction vehicles and Mobile plant operators**

## **Site Visitors Register**

A site visitor's register is to be kept on site and steps are to be taken to ensure that all visitors sign the visitors' register before entering the site.

A sign should also be provided directing all visitors to report to the site officer.

## **HAZARDOUS CHEMICAL SUBSTANCES (including Asbestos and Lead)**

In addition to the requirements in the HCS Regulations, the principal contractor must provide proof in the H&S Plan that:

- Material Safety Data Sheets (MSDS's) of the relevant materials/hazardous chemical substances are available prior to use by the contractor. Mention should be made how the principal contractor is going to act according to special/unique requirements made in the relevant MSDS's. All MSDS's shall be available for inspection by the agent at all times.
  - Risk assessments are done at least once every two years.
- Exposure monitoring is done according to Occupational Exposure Sampling Strategy Manual (OESSM) and by an AIA and that the medical surveillance program is based on the outcomes of the exposure monitoring.
  - How records are going to be kept safe for the stipulated period of 30 years.
  - How the relevant HCS's are being/going to be controlled by referring to:

Limiting the amount of HCS

Limiting the number of employees

Limiting the period of exposure

Substituting the HCS

Using engineering controls

Using appropriate written work procedures

The correct PPE is being used.

HCS are stored and transported according to SABS 072 and 0228.

Training with regards to these regulations was given.

The H&S plan should make reference to the disposal of hazardous waste on classified sites and the location thereof (where applicable).

## **ASBESTOS**

Should asbestos be identified as a hazard whilst work is carried out, the following must be included in the health and safety plan:

Notification to the Provincial Director in writing, prior to commencement of asbestos work.

Proof of a structured medical surveillance program, drawn up by an occupational medicine practitioner.

Proof that an occupational health practitioner carried out an initial health evaluation within 14 days after commencement of work.

Copies of the results of all assessments, exposure monitoring and the written inventory of the location of the asbestos at the workplace.

Only proof that medical surveillance has been conducted and not the actual records itself since these areas of confidential nature.

How records are going to be kept safe for the stipulated period of 40 years.

Proof that asbestos demolition (if applicable) is going to be done by a registered asbestos contractor and provide proof that a plan of work for such demolition is submitted to an Approved Asbestos Inspection Authority 30 days prior to commencement of the demolition.

Provide proof that the plan of work was approved by the asbestos AIA and submitted to the provincial director 14 days prior to commencement of demolition work together with the approved standardized procedures for demolition work.

## **LEAD**

Besides the requirements listed under par. 15 should lead be identified as a hazard at the workplace, the following must be included in the health and safety plan or as soon as its available:

Proof that an occupational health practitioner carried out an initial health evaluation within 14 days after commencement of work.

Copies of the results of all assessments, exposure monitoring and the written inventory of the location of the lead at the workplace.

Only proof that medical surveillance has been conducted and not the actual records since these are of a confidential nature.

How records are going to be kept safe for the stipulated period of 40 years.

## **NOISE INDUCED HEARING LOSS**

Where noise is identified as a hazard the requirements of the NIHL regulations must be complied with and the following must be included/ referred to in the Health and Safety Plan:

Proof of training with regards to these regulations.

Risk assessment done within 1 month of commencement of work.

That monitoring carried out by an AIA and done according to SABS 083.

Medical surveillance program established and maintained for the necessary employees.

Control of noise by referring to:

- Engineering methods considered
- Admin control (number of employees exposed) considered
- Personal protective equipment considered/decided on

Describe how records are going to be kept for 40 years.

## **LIGHTING**

Where poor or lack of illumination is identified as a hazard the lighting regulations must be complied with and the following must be included in the H&S Plan:

How lighting will be ensured/ provided where daylight is not sufficient and / or after hours are worked.

Planned maintenance program for replacing luminaries.

Proof of illumination levels of artificial illumination equipment.

## **HAZARDOUS BIOLOGICAL AGENTS (HBA)**

Because of the possible exposure of workers to raw sewage the H&S Plan shall include details of the following:

The conducting of Risk Assessment specifically aimed at exposure to HBA which shall include the following:

Nature and dose of HBA

Where HBA may be present and in what physical form

The nature of work or process

Steps in the event of failure of control measures

The effect of the HBA

The period of exposure

Control measures to be implemented

Monitoring of exposure of workers shall be conducted to establish whether any worker is infected with an HBA associated with working or being exposed to raw sewage, in terms of the following:

By an occupational medical practitioner

Before entering the site to establish the workers baseline

During the period of the contract the risk assessment indicate possible exposure

After completion of the contract

Medical surveillance should such be required after the above-mentioned by an occupational health practitioner. Indication on how all records of assessment, monitoring; etc will be kept, taking into account that records have to be kept for a period of 40 years.

How exposure to HBA is to be controlled.

The provision of personal protective equipment.

What information and training is to be provided to employees regarding the following:

The contents of these regulations.

Potential risks to health.

Control measures to be implemented.

The correct use and maintenance of personal protective equipment.

The results of the risk assessment.



Functionality Criteria - Tender Rating Matrix		A - Tender Rating (Score 1-5)	B - Weighting
Company work experience	3 x 3 year appointment letters related to building of MV Overhead power line up to 33kV and Minor reticulation projects	5	40
	2 x 3 year appointment letters related to building of MV Overhead power line up to 33kV and Minor reticulation projects	4	
	1 x 3 year appointment letters related to building of MV Overhead power line up to 33kV and Minor reticulation projects	3	
	Less than 3 years appointment letters related to building of MV Overhead power line up to 33kV and Minor reticulation projects	0	
Vehicles, Tools and Equipment	<p>Sufficient documentary evidence and resources to indicate ownership.</p> <p>Mandatory Vehicle (E-NATIS)</p> <ol style="list-style-type: none"> <li>1. Rock drill x 1</li> <li>2. Crane Truck x 1</li> <li>3. Trucks x 2</li> <li>4. Vehicle fitted with Aerial lifting device x 1</li> <li>5. Bakkies (LDV/ Double Cab) x 3</li> <li>6. Other vehicles for transporting staff x 1</li> </ol> <p>Mandatory Tool List (Valid Calibration Certificates)</p> <ol style="list-style-type: none"> <li>1. Fibreglass Ladders x 4</li> <li>2. Testing Equipment (Earth electrode, Resistance Tester, Earth resistance tester Insulation Resistance Tester, Polarity Tester, Phase rotation meter, Multi-meter, Compaction Tester)</li> <li>3. Operating sticks x 2</li> <li>4. Approved Safety tester x 1</li> <li>5. Portable Earths x 3 Sets</li> </ol> <p>Mandatory Tool List (Inspection &amp; Calibration Certificates)</p> <ol style="list-style-type: none"> <li>1. Stringing Equipment Snatch pulley x 2, Come-alongs x 2, Conductor pulley, roll out blocks x 1, Diesel Crimping tool, 4PI Crimping tool x 2, Crimping tools (LV Hydraulic) x 1, Ratchet hoists, chain pulls, Chain slings, Nylon slings x1</li> </ol> <p>Other Tools (Inspection)</p> <ol style="list-style-type: none"> <li>1. Chainsaws x 2</li> <li>2. Wood Auger x 1</li> </ol>	5	30

No. Year's Experience for key personnel (attach CV and qualification) National Diploma in Electrical Engineering.	<b>1. Technical Manager</b>		<b>10</b>
	No formal qualification	0	
	National Diploma or equivalent in Electrical Engineering with > five (3) years' experience	3	
	Trade Test	5	
	<b>2. Safety Officer</b>		<b>5</b>
	No formal qualification	0	
	Relevant occupational health and safety certificate or equivalent in Safety with > Three (3) year experience.	3	
	Relevant occupational health and safety National Diploma or equivalent in Safety with (3) year experience.	5	
	<b>3. Site Supervisor</b>		<b>10</b>
	No formal qualification	0	
N2 or higher in Electrical Engineering with > five (3) year and ORHVS outcome 5.	3		
N2 or higher in Electrical Engineering with > five (3) year and ORHVS outcome 6.	5		
<b>4. Personnel with the following</b>		<b>5</b>	
No personnel with Crane operator and Line Construction MV and LV certificates	0		
Crane operator Certificate only or Line Construction MV and LV Certificates only	3		
Crane operator Certificate and Line Construction MV and LV Certificate	5		
<b>TOTAL SCORE</b>			<b>100%</b>



PART G

Tropical Paradise

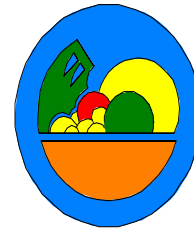
**GREATER TZANEEN MUNICIPALITY**

P.O. BOX 24

TEL: 015 307 8000

TZANEEN, 0850

FAX: 015 307 8049



**PROVISION OF CASH-IN-TRANSIT**

**INFORMATION REQUIRED FOR BID EVALUATION PURPOSES**

**1. EXPERIENCE**

Complete the below schedule regarding your company previous working experiences on this project.

<b>Client</b>	<b>Contact Person</b>	<b>Contact Number</b>	<b>Contract Value</b>	<b>Contract Period</b>

## **PART H**

### **MBD 2**

#### **TAX CLEARANCE CERTIFICATE REQUIREMENTS**

It is a condition of bid that the taxes of the successful bidder must be in order, or that satisfactory arrangements have been made with South African Revenue Service (SARS) to meet

#### THE BIDDER'S TAX OBLIGATIONS

- 1 In order to meet the requirements, bidders are required to complete in full the attached form TCC 00. "Application for a Tax Clearance Certificate" and submit it to any SARS branch office nationally. The Tax Clearance Certificate Requirements are also applicable to foreign bidders / individuals who wish to submit bids.
- 2 SARS will then furnish the bidder with a Tax Clearance Certificate that will be valid for a period of 1 (one) year from the date of approval.
- 3 The original Tax Clearance Certificate must be submitted together with the bid. Failure to submit the original and valid Tax Clearance Certificate will result in the invalidation of the bid. Certified copies of the Tax Clearance Certificate will not be acceptable.
- 4 In bids where Consortia / Joint Ventures / Sub-contractors are involved, each party must submit a separate Tax Clearance Certificate.
- 5 Copies of the TCC 001 "Application for a Tax Clearance Certificate" form is available from any SARS branch office nationally or on the website [www.sars.gov.za](http://www.sars.gov.za).
- 6 Applications for the Tax Clearance Certificates may also be made via eFiling. In order to use this provision, taxpayers will need to register with SARS as eFilers through the website [www.sars.gov.za](http://www.sars.gov.za).

**PART I**

**MBD 4**

**DECLARATION OF INTEREST**

- 1. No bid will be accepted from persons in the service of the state\*.
- 2. Any person, having a kinship with persons in the service of the state, including a blood relationship, may make an offer or offers in terms of this invitation to bid. In view of possible allegations of favouritism, should the resulting bid, or part thereof, be awarded to persons connected with or related to persons in service of the state, it is required that the bidder or their authorised representative declare their position in relation to the evaluating/adjudicating authority and/or take an oath declaring his/her interest.

**3. In order to give effect to the above, the following questionnaire must be completed and submitted with the bid.**

3.1 Full Name: .....

3.2 Identity Number: .....

3.3 Company Registration Number: .....

3.4 Tax Reference Number: .....

3.5 VAT Registration Number: .....

3.6 Are you presently in the service of the state\* **YES / NO**

3.6.1 If so, furnish particulars.

.....

3.7 Have you been in the service of the state for the past twelve months? **YES / NO**

3.7 If so, furnish particulars.

.....

---

\* MSCM Regulations: "in the service of the state" means to be –

(a) a member of –

- (i) any municipal council;
- (ii) any provincial legislature; or
- (iii) the national Assembly or the national Council of provinces;

(b) a member of the board of directors of any municipal entity;

(c) an official of any municipality or municipal entity;

(d) an employee of any national or provincial department, national or provincial public entity or constitutional institution within the meaning of the Public Finance Management Act, 1999 (Act No.1 of 1999);

(e) a member of the accounting authority of any national or provincial public entity; or

(f) an employee of Parliament or a provincial legislature.

..

3.8 Do you, have any relationship (family, friend, other) with persons in the service of the state and who may be involved with the evaluation and or adjudication of this bid?

YES / NO

3.8.1 If so, furnish particulars.

.....  
.....

3.9 Have you been in the service of the state for the past twelve months?

.....  
YES / NO

3.9.1. If yes, furnish particulars.....

.....  
...

3.10. Are you, aware of any relationship (family, friend, other) between a bidder and any persons in the service of the state who may be involved with the evaluation and or adjudication of this bid?

YES / NO

3.10.1. If so, furnish particulars

.....  
....

3.11 Are any of the company’s directors, managers, principal shareholders or stakeholders in service of the state? YES / NO

3.11.1 If so, furnish particulars.

.....  
...

3.12 Are any spouse, child or parent of the company’s directors, managers, principal shareholders or stakeholders in service of the state? YES / NO

3.12.1 If so, furnish particulars.

.....

4.Full details of directors / trustees / members / shareholders

Full Name	Identity Number	State Employee Number

\_\_\_\_\_  
Signature

\_\_\_\_\_  
Date

\_\_\_\_\_  
Capacity

\_\_\_\_\_  
Name of Bidder

**CERTIFICATION**

**I, the undersigned (name).....**

Certify that the information furnished on this declaration form is correct. I accept that the state may act against me should this declaration prove to be false.

.....  
Signature

.....  
Date

.....  
Designation

.....  
Name of Bidder

**PART O**  
**MBD 5**

**DECLARATION FOR PROCUREMENT ABOVE R10 MILLION (ALL APPLICABLE TAXES INCLUDED)**

For all procurement expected to exceed R10 million (all applicable taxes included), bidders must complete the following questionnaire:

Are you by law required to prepare annual financial statements for auditing? (Please circle applicable one) **\*YES/NO**

1.1. If yes, submit audited annual financial statements for the past three years or since the date of establishment if established during the past three years.

.....

2. Do you have any outstanding undisputed commitments for municipal services towards any municipality for more than three months or any other service provider in respect of which payment is overdue for more than 30 days? (Please circle applicable one) **\*YES/NO**

2.1. If no, this serves to certify that the bidder has no undisputed commitments for municipal services towards any municipality for more than three months or other service provider in respect of which payment is overdue for more than 30 days.

2.2 If yes, provide particulars.

.....  
.....  
.....

3. Has any contract been awarded to you by an organ of state during the past five years, including particulars of any material non-compliance or dispute concerning the execution of such contract? (Please circle applicable one) **\*YES/NO**

3.1. If yes, furnish particulars

.....  
.....

4. Will any portion of goods or services be sourced from outside the Republic of South Africa. If so, what portion and whether any portion of payment from the municipality / municipal entity is expected to be transferred out of the Republic? (Please circle applicable one) **\*YES / NO**

4.1. If yes, furnish particulars

.....  
.....



**CERTIFICATION**

I, the undersigned (name) .....

Certify that the information furnished on this declaration form is true and correct.

I accept that the state may act against me should this declaration proven to be false.

.....  
Signature

.....  
Date

.....  
Position

.....  
Name of Bidder

**PART J**

**MBD 6.1**

**PREFERENCE POINTS CLAIM FORM IN TERMS OF THE PREFERENTIAL PROCUREMENT REGULATIONS 2017**

This preference form must form part of all bids invited. It contains general information and serves as a claim form for preference points for Broad-Based Black Economic Empowerment (B-BBEE) Status Level of Contribution

**NB: before completing this form, bidders must study the general conditions, definitions and directives applicable in respect of B-BBEE, as prescribed in the preferential procurement regulations, 2017.**

---

**1. GENERAL CONDITIONS**

1.1 The following preference point systems are applicable to all bids:

- The 80/20 system for requirements with a rand value of up to R50 million (all applicable taxes included) and
- The 90/10 system for requirements with a rand value above R50 million (all applicable taxes included).

1.2 (a) the value of this bid is estimated to exceed/not exceed R50 000 000 (all applicable taxes included) and therefore the ..... preference point system shall be applicable; or

(c) Either the 80/20 or 90/10 preference point system will be applicable to this tender (delete whichever is not applicable for this tender).  
80/20 and 90/10-point scoring is as follows:

1.3 Points for this bid shall be awarded for:

- (a) Price; and
- (b) B-BBEE Status Level of Contribution.

1.4. The maximum points for this bid are allocated as follows:

	<b>POINTS</b>
<b>Price</b>	
<b>B-BBEE status level of contributor</b>	
<b>Total points for price and B-BBEE must not exceed</b>	<b>100</b>

1.5 Failure by the bidder to submit proof of B-BBEE status level of contributor together with the bid, will

be interpreted to mean that preference points for B-BBEE status level of contribution are not claimed.

- 1.6. The purchaser reserves the right to require of a bidder, either before a bid is adjudicated or at any time subsequently, to substantiate any claim in regard to preferences, in any manner required by the purchaser.

## 2. DEFINITIONS

- (a) **“B-BBEE”** means broad-based black economic empowerment as defined in section 1 of the Broad-Based Black Economic Empowerment Act;
- (b) **“B-BBEE status level of contributor”** means the B-BBEE status received by a measured entity based on its overall performance using the relevant scorecard contained in the Codes of Good Practice on Black Economic Empowerment, issued in terms of section 9(1) of the Broad-Based Black Economic Empowerment Act;
- (c) **“bid”** means a written offer in a prescribed or stipulated form in response to an invitation by an organ of state for the provision of services, works or goods, through price quotations, advertised competitive bidding processes or proposals;
- (d) **“Broad-Based Black Economic Empowerment Act”** means the Broad-Based Black Economic Empowerment Act, 2003 (Act No. 53 of 2003);
- (e) **“EME”** means an excepted micro enterprise in terms of a quote of good practice on Black Economic Empowerment issued in terms of section 9(1) of the broad Based Economic Empowerment Act.
- (f) **“Functionality”** means the ability of a tenderer to provide goods or services in accordance with specifications as set out in the tender document.
- (g) **“Price”** includes all applicable taxes less on unconditional discounts.
- (h) **“Proof of BEE status level of contributor”** means
- 1) BBBEE status level certificate issued by an authorized body or person
  - 2) Sworn Affidavit as prescribed by the BBBEE codes of codes practice.
  - 3) an other requirements prescribed in terms of the BBBEE Act.
- (i) **“QSE”** means a qualifying small business enterprise in terms of a code of good practice on Black Economic Empowerment issued in terms of section 9(1) of the Broad Black Economic Empowerment Act.
- (j) **“rand value”** means the total estimated value of a contract in rand, calculated at the time of bid invitations, and includes all applicable taxes and excise duties;

**3. POINTS AWARDED FOR PRICE**

**3.1 THE 80/20 or 90/10 PREFERENCE POINT SYSTEMS**

A maximum of 80 or 90 points is allocated for price on the following basis:

$$P_s = 80 \left( 1 - \frac{P_t - P_{\min}}{P_{\min}} \right) \text{ Or } P_s = 90 \left( 1 - \frac{P_t - P_{\min}}{P_{\min}} \right)$$

Where

- P<sub>s</sub> = Points scored for comparative price of bid under consideration
- P<sub>t</sub> = Comparative price of bid under consideration
- P<sub>min</sub> = Comparative price of lowest acceptable bid

**5. POINTS AWARDED FOR B-BBEE STATUS LEVEL OF CONTRIBUTION**

5.1 In terms of Regulation 6 (2) and 7 (2) of the Preferential Procurement Regulations, preference points must be awarded to a bidder for attaining the B-BBEE status level of contribution in accordance with the table below:

<b>B-BBEE Status Level of Contributor</b>	<b>Number of points (90/10 system)</b>	<b>Number of points (80/20 system)</b>
1	10	20
2	9	18
3	6	14
4	5	12
5	4	8
6	3	6
7	2	4
8	1	2
Non-compliant contributor	0	0

**5. BID DECLARATION**

5.1 Bidders who claim points in respect of B-BBEE Status Level of Contribution must complete the following:

**6. B-BBEE STATUS LEVEL OF CONTRIBUTION CLAIMED IN TERMS OF PARAGRAPHS 1.4 AND 4.1**

6.1 B-BBEE Status Level of Contribution: ..... = ..... (maximum of 20 or 10 points)

(Points claimed in respect of paragraph 7.1 must be in accordance with the table reflected in paragraph 4.1 and must be substantiated by relevant proof of B-BBEE status level contributor).

**7. SUB-CONTRACTING**

7.1 Will any portion of the contract be sub-contracted? (Tick applicable box)

<b>YES</b>		<b>NO</b>	
------------	--	-----------	--

7.1.1 If yes, indicate:

- (i) What percentage of the contract will be subcontracted? .....%
- (ii) The name of the sub-contractor? .....
- (iii) The B-BBEE status level of the sub-contractor? .....
- (iv) Whether the sub-contractor is an EME/SME? (Please circle applicable one) \*YES / NO

Specific, by ticking the appropriate box, if subcontracting is an enterprise in terms of preferential Procurement Regulations, 2017:

Designated Group: An EME or QSE which is at least 51% owned by	EME	QSE
Black People		
Black People who are youth		
Black People who are woman		
Black People with disabilities		
Black People living in rural or underdeveloped areas or townships		
Cooperative owned by black people		
Black People		
Black People who are military veterans		
Or		
Any EME		
Any QSE		

**8. DECLARATION WITH REGARD TO COMPANY/FIRM**

8.1 Name of the business: .....

8.2 VAT registration number: .....

8.3 Company registration number: .....

**8.4 TYPE OF COMPANY/ FIRM (Tick applicable box)**

- Partnership/Joint Venture / Consortium
- One-person business/sole proprietor
- Close corporation
- Company
- (Pty) Limited

**8.5 DESCRIBE PRINCIPAL BUSINESS ACTIVITIES**

.....  
.....  
.....

**8.6 COMPANY CLASSIFICATION (Tick applicable box)**

- Manufacturer
- Supplier
- Professional service provider
- Other service providers, e.g. transporter, etc.

**8.7 MUNICIPAL INFORMATION**

**Municipality where business is situated**  
.....

**Registered Account Number** .....

**Stand Number** .....

8.8 Total numbers of years the company/firm has been in business? .....

8.9 I/we, the undersigned, who is / are duly authorised to do so on behalf of the company/firm, certify

that the points claimed, based on the B-BBEE status level of contribution indicated in paragraph 1.4 and 6.1 of the foregoing certificate, qualifies the company/ firm for the preference(s) shown and I / we acknowledge that:

- (i) The information furnished is true and correct;
- (ii) The preference points claimed are in accordance with the General Conditions as indicated in paragraph 1 of this form.
- (iii) In the event of a contract being awarded as a result of points claimed as shown in paragraph 1.4 and 6.1, the contractor may be required to furnish documentary proof to the satisfaction of the purchaser that the claims are correct;
- (iv) If the B-BBEE status level of contribution has been claimed or obtained on a fraudulent basis or any of the conditions of contract have not been fulfilled, the purchaser may, in addition to any other remedy it may have –
  - (a) Disqualify the person from the bidding process;
  - (b) Recover costs, losses or damages it has incurred or suffered as a result of that person’s conduct;
  - (c) Cancel the contract and claim any damages which it has suffered as a result of having to make less favourable arrangements due to such cancellation;
  - (d) Restrict the bidder or contractor, its shareholders and directors, or only the shareholders and directors who acted on a fraudulent basis, from obtaining business from any organ of state for a period not exceeding 10 years, after the audi alteram partem (hear the other side) rule has been applied; and
- (e) forward the matter for criminal prosecution

<p>Witnesses</p> <p>1.....</p> <p>2. ....</p>
---

<p>.....</p> <p><b>SIGNATURE(S) OF BIDDERS</b></p> <p>DATE: .....</p> <p>Address: .....</p> <p>.....</p> <p>.....</p>
---

## **PART K**

### **MBD 6.2**

#### **DECLARATION CERTIFICATE FOR LOCAL PRODUCTION AND CONTENT**

This Municipal Bidding Document (MBD) must form part of all bids invited. It contains general information and serves as a declaration form for local content (local production and local content are used interchangeably).

Before completing this declaration, bidders must study the General Conditions, Definitions, Directives applicable in respect of Local Content as prescribed in the Preferential Procurement Regulations, 2011 and the South African Bureau of Standards (SABS) approved technical specification number SATS 1286:201x.

#### 1. General Conditions

- 1.1. Preferential Procurement Regulations, 2011 (Regulation 9.(1) and 9.(3) make provision for the promotion of local production and content.
- 1.2. Regulation 9 (1) prescribes that in the case of designated sectors, where in the award of bids local production and content is of critical importance, such bids must be advertised with the specific bidding condition that only locally produced goods, services or works or locally manufactured goods, with a stipulated minimum threshold for local production and content will be considered.
- 1.3. Regulation 9 (3) prescribes that where there is no designated sector, a specific bidding condition may be included, that only locally produced services, works or goods or locally manufactured goods with a stipulated minimum threshold for local production and content, will be considered.
- 1.4. Where necessary, for bids referred to in paragraphs 1.2 and 1.3 above, a two stage bidding process may be followed, where the first stage involves a minimum threshold for local production and content and the second stage price and B-BBEE.
- 1.5. A person awarded a contract in relation to a designated sector, may not sub-contract in such a manner that the local production and content of the overall value of the contract is reduced to below the stipulated minimum threshold.
- 1.6. The local content (LC) as a percentage of the bid price must be calculated in accordance with the SABS approved technical specification number SATS 1286: 201x as follows:

$$LC = 1 - \frac{x}{100}$$

Where

x imported content



y bid price excluding value added tax (VAT)

Prices referred to in the determination of x must be converted to Rand (ZAR) by using the exchange rate published by the South African Reserve Bank (SARB) at 12:00 on the date, one week (7 calendar days) prior to the closing date of the bid as required in paragraph 4.1 below.

1.7. A bid will be disqualified if:

- The bidder fails to achieve the stipulated minimum threshold for local production and content indicated in paragraph 3 below; and.
- This declaration certificate is not submitted as part of the bid documentation.

## 2. Definitions

2.1. **“bid”** includes advertised competitive bids, written price quotations or proposals;

2.2. **“bid price”** price offered by the bidder, excluding value added tax (VAT);

2.3. **“contract”** means the agreement that results from the acceptance of a bid by an organ of state;

2.4. **“designated sector”** means a sector, sub-sector or industry that has been designated by the Department of Trade and Industry in line with national development and industrial policies for local production, where only locally produced services, works or goods or locally manufactured goods meet the stipulated minimum threshold for local production and content;

2.5. **“duly sign”** means a Declaration Certificate for Local Content that has been signed by the Chief Financial Officer or other legally responsible person nominated in writing by the Chief Executive, or senior member / person with management responsibility (close corporation, partnership or individual).

2.6. **“imported content”** means that portion of the bid price represented by the cost of

2.7. components, parts or materials which have been or are still to be imported (whether by the supplier or its subcontractors) and which costs are inclusive of the costs abroad, plus freight and other direct importation costs, such as landing costs, dock duties, import duty, sales duty or other similar tax or duty at the South African port of entry;

2.8. **“local content”** means that portion of the bid price which is not included in the imported content, provided that local manufacture does take place;

2.9. **“stipulated minimum threshold”** means that portion of local production and content as determined by the Department of Trade and Industry; and

2.10. **“Sub-contract”** means the primary contractor’s assigning, leasing, making out work to, or employing another person to support such primary contractor in the execution of part of a project in terms of the contract.

## 3. The stipulated minimum threshold(s) for local production and content for this bid is/are as follows:

<u>Description of services, works or goods</u>	<u>Stipulated minimum threshold</u>
--	-------------------------------------

_____	_____ %
_____	_____ %
_____	_____ %

4. Does any portion of the services, works or goods offered have any imported content?

Y

ES / NO

4.1 If yes, the rate(s) of exchange to be used in this bid to calculate the local content as prescribed in paragraph 1.6 of the general conditions must be the rate(s) published by the SARB for the specific currency at 12:00 on the date, one week (7 calendar days) prior to the closing date of the bid.

The relevant rates of exchange information is accessible on [www.reservebank.co.za](http://www.reservebank.co.za). Indicate the rate(s) of exchange against the appropriate currency in the table below:

Currency	Rates of exchange
US Dollar	
Pound Sterling	
Euro	
Yen	
Other	

**\*NB:** Bidders must submit proof of the SARB rate (s) of exchange used.

**Local content declaration by chief financial officer or other legally responsible person nominated in writing by the chief executive or senior member/person with management responsibility (close corporation, partnership or individual)**

**IN RESPECT OF BID No.** .....

**ISSUED BY:** Greater Tzaneen Municipality

NB The obligation to complete, duly sign and submit this declaration cannot be transferred to an external authorized representative, auditor or any other third party acting on behalf of the bidder.

I, the undersigned, ..... (full names),

Do hereby declare, in my capacity as .....

of .....(name of bidder entity), the following:

- (a) The facts contained herein are within my own personal knowledge.
- (b) I have satisfied myself that the goods/services/works to be delivered in terms of the above-specified bid comply with the minimum local content requirements as specified in the bid, and as measured in terms of SATS 1286.
- (c) The local content has been calculated using the formula given in clause 3 of SATS 1286, the rates of exchange indicated in paragraph 4.1 above and the following figures:

Bid price, excluding VAT (y)	R
Imported content (x)	R
Stipulated minimum threshold for Local content (paragraph 3 above)	
Local content % as calculated in terms of SATS 1286	

If the bid is for more than one product, a schedule of the local content by product shall be attached.

- (d) I accept that the **Greater Tzaneen Municipality** has the right to request that the local content be verified in terms of the requirements of SATS 1286.
- (e) I understand that the awarding of the bid is dependent on the accuracy of the information furnished in this application. I also understand that the submission of incorrect data, or data that are not verifiable as described in SATS 1286, may result in the Procurement Authority / Municipal / Municipal Entity imposing any or all of the remedies as provided for in Regulation 13 of the Preferential Procurement Regulations, 2011 promulgated under the Policy Framework Act (PPFA), 2000 (Act No. 5 of 2000).

**SIGNATURE:** \_\_\_\_\_

**DATE:** \_\_\_\_\_

**WITNESS No. 1** \_\_\_\_\_

**DATE:** \_\_\_\_\_

**WITNESS No. 2** \_\_\_\_\_

**DATE:** \_\_\_\_\_

## **PART L**

### **MBD 7.2**

#### **Contract form - rendering of services**

**This form must be filled in duplicate by both the service provider (part 1) and the purchaser (part 2). Both forms must be signed in the original so that the service provider and the purchaser would be in possession of originally signed contracts for their respective records.**

#### **Part 1 (to be filled in by the service provider)**

1. I hereby undertake to render services described in the attached bidding documents to **Greater Tzaneen Municipality** in accordance with the requirements and task directives / proposals specifications stipulated in Bid Number.....at the price/s quoted. My offer/s remains binding upon me and open for acceptance by the Purchaser during the validity period indicated and calculated from the closing date of the bid.
2. The following documents shall be deemed to form and be read and construed as part of this agreement:
  - (i) Bidding documents,
    - Invitation to bid;
    - Tax clearance certificate;
    - Pricing schedule(s);
    - Filled in task directive/proposal;
    - Preference claims for Broad Based Black Economic Empowerment Status Level of Contribution in terms of the Preferential Procurement Regulations 2011;
    - Declaration of interest;
    - Declaration of Bidder's past SCM practices;
    - Certificate of Independent Bid Determination;
    - Special Conditions of Contract;
  - (ii) General Conditions of Contract; and
  - (iii) Other (specify)
3. I confirm that I have satisfied myself as to the correctness and validity of my bid; that the price(s) and rate(s) quoted cover all the services specified in the bidding documents; that the price(s) and rate(s) cover all my obligations and I accept that any mistakes regarding price(s) and rate(s) and calculations will be at my own risk.
4. I accept full responsibility for the proper execution and fulfilment of all obligations and conditions devolving on me under this agreement as the principal liable for the due fulfilment of this contract.
5. I declare that I have no participation in any collusive practices with any bidder or any other person regarding this or any other bid.

<b>WITNESSES</b>
1 .....
2 .....
<b>DATE:</b> .....

6. I confirm that I am duly authorised to sign this contract.

Name (print) .....

Capacity .....

Signature .....

Name of firm .....

Date .....

**MBD 7.2**

**CONTRACT FORM - RENDERING OF SERVICES  
PART 2 (TO BE FILLED IN BY THE PURCHASER)**

1. I..... in my capacity as..... accept your bid under reference number ..... dated.....for the rendering of services indicated hereunder and/or further specified in the annexure(s).
2. An official order indicating service delivery instructions is forthcoming.
3. I undertake to make payment for the services rendered in accordance with the terms and conditions of the contract, within 30 (thirty) days after receipt of an invoice.

<b>DESCRIPTION OF SERVICE</b>	<b>PRICE (ALL APPLICABLE TAXES INCLUDED)</b>	<b>COMPLETION DATE</b>	<b>B-BBEE STATUS LEVEL OF CONTRIBUTION</b>	<b>MINIMUM THRESHOLD FOR LOCAL PRODUCTION AND CONTENT (if applicable)</b>

4. I confirm that I am duly authorized to sign this contract.

SIGNED AT ..... ON .....

NAME (PRINT) .....

SIGNATURE .....

OFFICIAL STAMP

**WITNESSES**

1 .....  
....

2 .....  
....

**PART M**

**MBD 8**

**DECLARATION OF BIDDER’S PAST SUPPLY CHAIN MANAGEMENT PRACTICES**

- 1 This Municipal Bidding Document must form part of all bids invited.
- 2 It serves as a declaration to be used by municipalities and municipal entities in ensuring that when goods and services are being procured, all reasonable steps are taken to combat the abuse of the supply chain management system.
- 3 The bid of any bidder may be rejected if that bidder, or any of its directors have:
  - a. abused the municipality’s / municipal entity’s supply chain management system or committed any improper conduct in relation to such system;
  - b. been convicted for fraud or corruption during the past five years;
  - c. willfully neglected, reneged on or failed to comply with any government, municipal or other public sector contract during the past five years; or
  - d. Been listed in the Register for Tender Defaulters in terms of section 29 of the Prevention and Combating of Corrupt Activities Act (No 12 of 2004).
- 4 **In order to give effect to the above, the following questionnaire must be completed and submitted with the bid.**

Item	Question	Yes	No
4.1	<p>Is the bidder or any of its directors listed on the National Treasury’s Database of Restricted Suppliers as companies or persons prohibited from doing business with the public sector?</p> <p>(Companies or persons who are listed on this Database were informed in writing of this restriction by the Accounting Officer/Authority of the institution that imposed the restriction after the <i>audi alteram partem</i> rule was applied).</p> <p><b>The Database of Restricted Suppliers now resides on the National Treasury’s website (<a href="http://www.treasury.gov.za">www.treasury.gov.za</a>) and can be accessed by clicking on its link at the bottom of the home page.</b></p>	<p>Yes</p> <input type="checkbox"/>	<p>No</p> <input type="checkbox"/>
4.1.1	<p>If so, furnish particulars:</p>		
4.2	<p>Is the bidder or any of its directors listed on the Register for Tender Defaulters in terms of section 29 of the Prevention and Combating of Corrupt Activities Act (No 12 of 2004)?</p> <p><b>The Register for Tender Defaulters can be accessed on the National Treasury’s website (<a href="http://www.treasury.gov.za">www.treasury.gov.za</a>) by clicking on its link at the bottom of the home page.</b></p>	<p>Yes</p> <input type="checkbox"/>	<p>No</p> <input type="checkbox"/>



4.2.1	If so, furnish particulars:		
<b>Item</b>	<b>Question (Tick applicable box)</b>	<b>Yes</b>	<b>No</b>
4.3	Was the bidder or any of its directors convicted by a court of law (including a court of law outside the Republic of South Africa) for fraud or corruption during the past five years?	Yes <input type="checkbox"/>	No <input type="checkbox"/>
4.3.1	If so, furnish particulars:		
4.4	Does the bidder or any of its directors owe any municipal rates and taxes or municipal charges to the municipality / municipal entity, or to any other municipality / municipal entity, that is in arrears for more than three months?	Yes <input type="checkbox"/>	No <input type="checkbox"/>
4.4.1	If so, furnish particulars:		
4.5	Was any contract between the bidder and the municipality / municipal entity or any other organ of state terminated during the past five years on account of failure to perform on or comply with the contract?	Yes <input type="checkbox"/>	No <input type="checkbox"/>
4.7.1	If so, furnish particulars:		

**CERTIFICATION**

**I, the undersigned (full name) ..... Certify that the information furnished on this declaration form true and correct. Accept that, in addition to cancellation of a contract, action may be taken against me should this declaration prove to be false.**

.....  
**Signature**

.....  
**Date**

.....  
**Designation**

.....  
**Name of Bidder**

**PART N**

**MBD 9**

**CERTIFICATE OF INDEPENDENT BID DETERMINATION**

- 1 This Municipal Bidding Document (MBD) must form part of all bids<sup>1</sup> invited.
- 2 Section 4 (1) (b) (iii) of the Competition Act No. 89 of 1998, as amended, prohibits an agreement between, or concerted practice by, firms, or a decision by an association of firms, if it is between parties in a horizontal relationship and if it involves collusive bidding (or bid rigging).<sup>2</sup> Collusive bidding is a *pe se* prohibition meaning that it cannot be justified under any grounds.
- 3 Municipal Supply Regulation 38 (1) prescribes that a supply chain management policy must provide measures for the combating of abuse of the supply chain management system, and must enable the accounting officer, among others, to:
  - a. take all reasonable steps to prevent such abuse;
  - b. reject the bid of any bidder if that bidder or any of its directors has abused the supply chain management system of the municipality or municipal entity or has committed any improper conduct in relation to such system; and
  - c. cancel a contract awarded to a person if the person committed any corrupt or fraudulent act during the bidding process or the execution of the contract.
- 4 This MBD serves as a certificate of declaration that would be used by institutions to ensure that, when bids are considered, reasonable steps are taken to prevent any form of bid-rigging.
- 5 In order to give effect to the above, the attached Certificate of Bid Determination (MBD 9) must be completed and submitted with the bid:

<sup>1</sup> **Includes price quotations, advertised competitive bids, limited bids and proposals.**

<sup>2</sup> **Bid rigging (or collusive bidding) occurs when businesses, that would otherwise be expected to compete, secretly conspire to raise prices or lower the quality of goods and / or services for purchasers who wish to acquire goods and / or services through a bidding process. Bid rigging is, therefore, an agreement between competitors not to compete.**

**CERTIFICATE OF INDEPENDENT BID DETERMINATION**

I, the undersigned, in submitting the accompanying bid number: .....

Bid Description: .....

In response to the invitation for the bid made by **Greater Tzaneen Municipality**

Do hereby make the following statements that I certify to be true and complete in every respect:

I certify, on behalf of: \_\_\_\_\_(Name of Bidder)

that:

1. I have read and I understand the contents of this Certificate;
2. I understand that the accompanying bid will be disqualified if this Certificate is found not to be true and complete in every respect;
3. I am authorized by the bidder to sign this Certificate, and to submit the accompanying bid, on behalf of the bidder;
4. Each person whose signature appears on the accompanying bid has been authorized by the bidder to determine the terms of, and to sign, the bid, on behalf of the bidder;
5. For the purposes of this Certificate and the accompanying bid, I understand that the word “competitor” shall include any individual or organization, other than the bidder, whether or not affiliated with the bidder, who:
  - (a) Has been requested to submit a bid in response to this bid invitation;
  - (b) Could potentially submit a bid in response to this bid invitation, based on their qualifications, abilities or experience; and
  - (c) Provides the same goods and services as the bidder and/or is in the same line of business as the bidder
6. The bidder has arrived at the accompanying bid independently from, and without consultation, communication, agreement or arrangement with any competitor. However, communication between partners in a joint venture or consortium<sup>3</sup> will not be construed as collusive bidding.
7. In particular, without limiting the generality of paragraphs 6 above, there has been no consultation, communication, agreement or arrangement with any competitor regarding:
  - (a) Prices;
  - (b) Geographical area where product or service will be rendered (market allocation)
  - (c) Methods, factors or formulas used to calculate prices;
  - (d) The intention or decision to submit or not to submit, a bid;
  - (e) The submission of a bid which does not meet the specifications and conditions of the bid; or
  - (f) Bidding with the intention not to win the bid.
8. In addition, there have been no consultations, communications, agreements or arrangements with any competitor regarding the quality, quantity, specifications and conditions or delivery particulars of the products or services to which this bid invitation relates.
9. The terms of the accompanying bid have not been, and will not be, disclosed by the bidder, directly or indirectly, to any competitor, prior to the date and time of the official bid opening or of the awarding of the contract.

**3 Joint venture or Consortium means an association of persons for the purpose of combining their expertise, property, capital, efforts, skill and knowledge in an activity for the execution of a contract.**

10. I am aware that, in addition and without prejudice to any other remedy provided to combat any restrictive practices related to bids and contracts, bids that are suspicious will be reported to the Competition Commission for investigation and possible imposition of administrative penalties in terms of section 59 of the Competition Act No 89 of 1998 and or may be reported to the National Prosecuting Authority (NPA) for criminal investigation and or may be restricted from conducting business with the public sector for a period not exceeding ten (10) years in terms of the Prevention and Combating of Corrupt Activities Act No 12 of 2004 or any other applicable legislation.

.....  
Signature

.....  
Date

.....  
Position

.....  
Name of Bidder

## **Returnable Documents**

### **Checklist On Minimum Requirements**

To assist you with your tendering process, see a checklist on minimum requirements below:

<b>No.</b>	<b>Minimum requirements</b>	<b>Tick</b>	<b>Comment if not attached</b>
1.	Compulsory briefing session attended		
2.	Complete original bid document		
3.	Central Supplier Database (CSD) reports		
4.	B-BBEE Certificate/Sworn affidavit		
5.	Valid Tax Clearance Certificate or Tax pin		
6.	CK/Company registration;		
7.	Certified ID copies of the shareholders;		
8.	Proof of Residence: municipal statement account / letter from headman/Tribal Authority/Lease agreement and three (3) months proof of payment		
9.	Company registration certificate (CK) showing percentage of shareholders / membership interest		
10.	Initial each page of the Conditions of Contact		
11.	All MBD forms must be completed and signed		
12.	In case of a Joint Venture, Association or Consortium a formal JV contract agreement/contract be signed		
13.	Responded as per the scope of work (compliance to specification/ conditions or term of references )		
14.	Detailed price schedule/ financial bids		
15.	All/Any alterations be initialled		

\_\_\_\_\_  
Company Representative (Name)

\_\_\_\_\_  
Signature